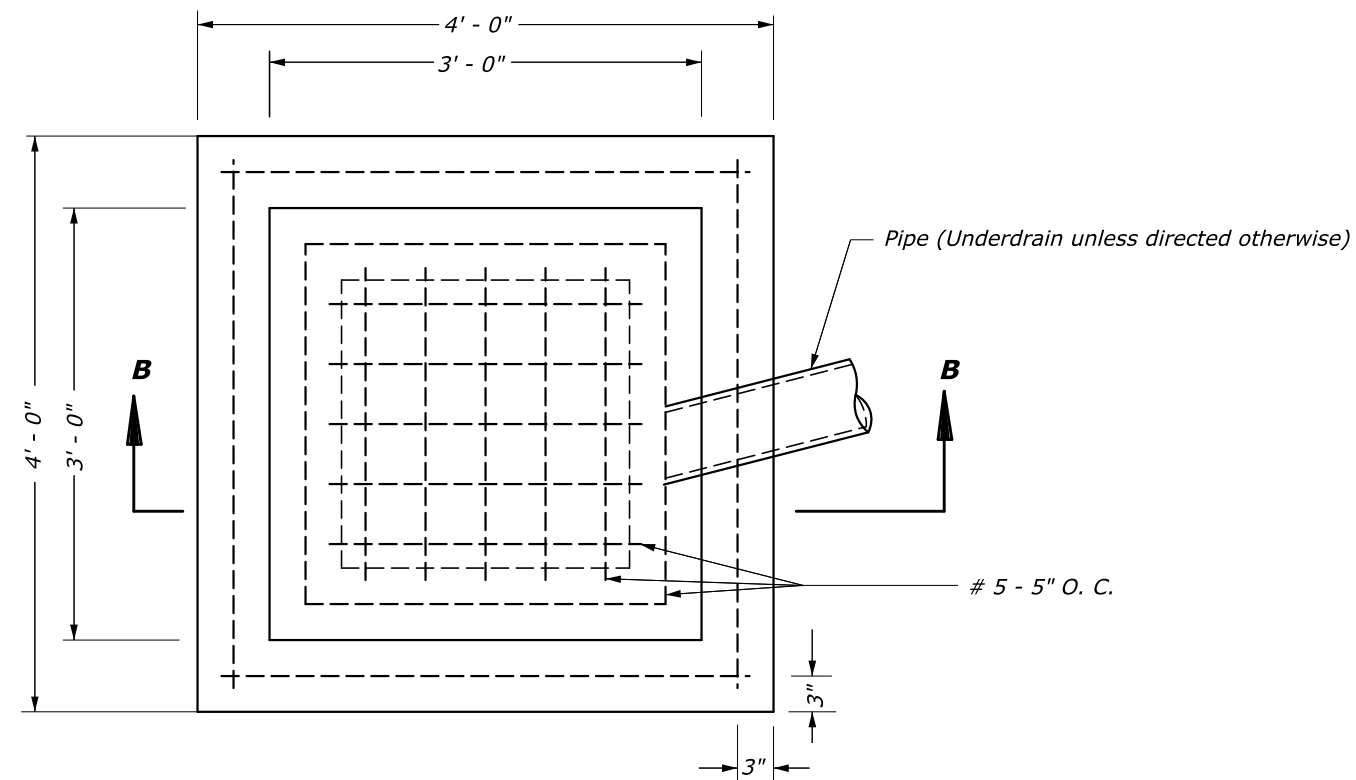
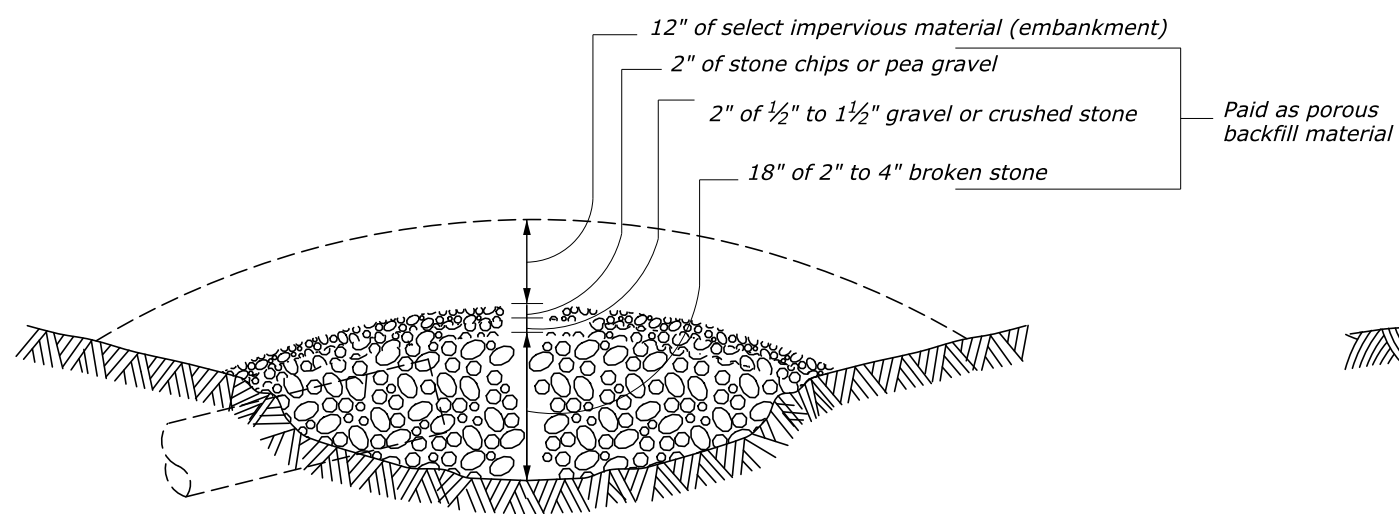


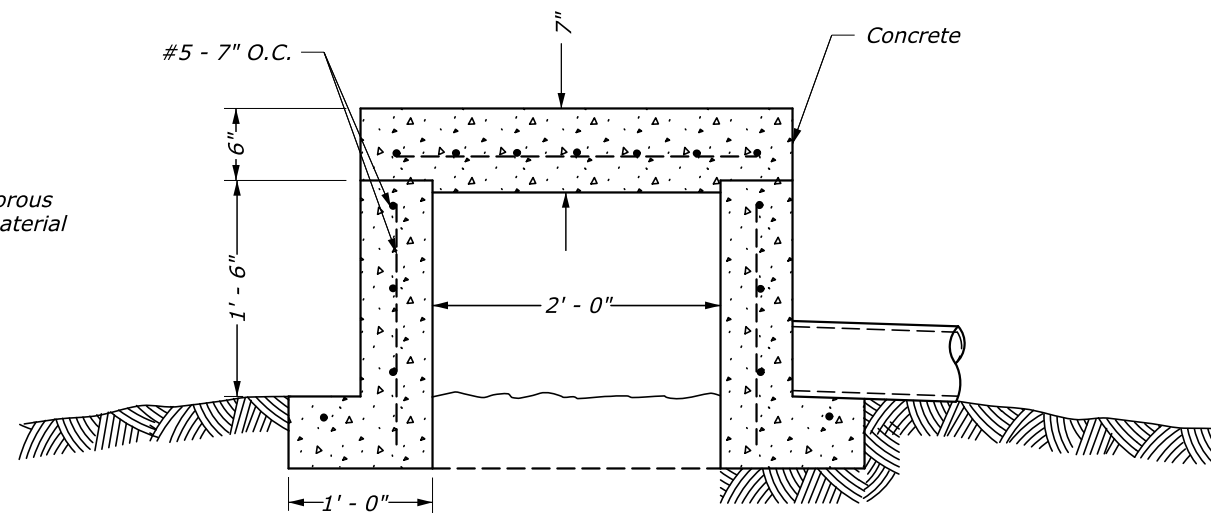
PLAN



PLAN



SECTION A-A
POROUS



SECTION B-B
REINFORCED CONCRETE

NO SCALE

U.S. DEPARTMENT OF TRANSPORTATION FEDERAL HIGHWAY ADMINISTRATION EASTERN FEDERAL LANDS HIGHWAY DIVISION	
U.S. CUSTOMARY DETAIL	
SPRING BOX	
DETAIL APPROVED FOR USE	DETAIL
APPROVED : MAY 2011 REVISED : SEPTEMBER 2014	E604-07