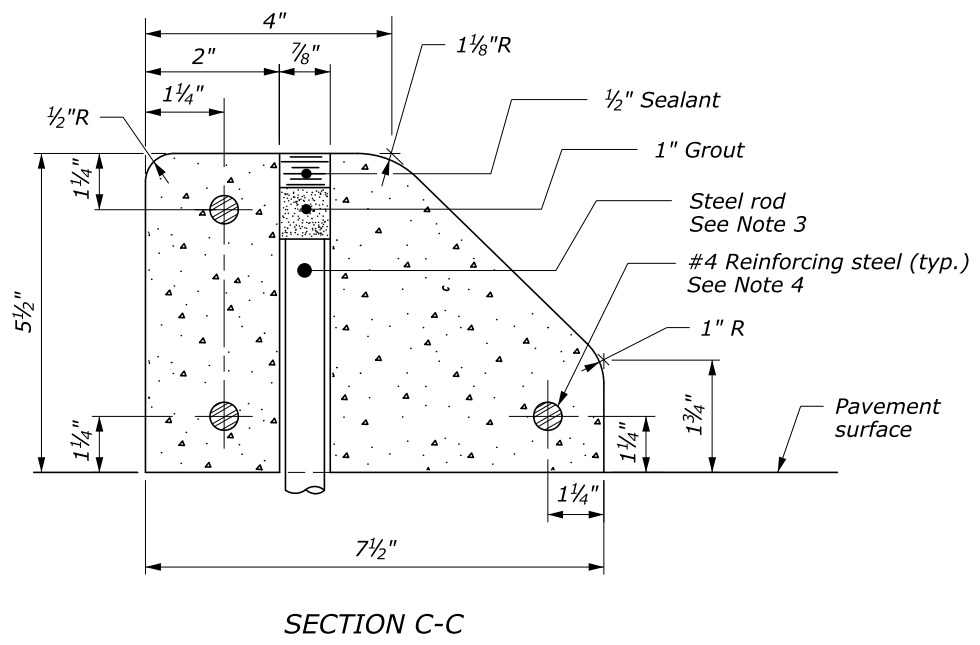
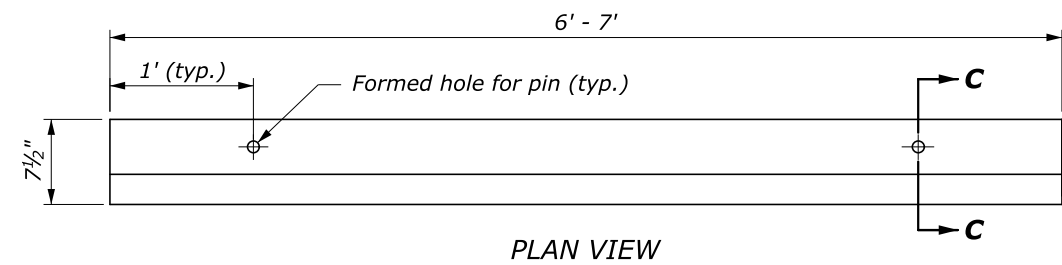
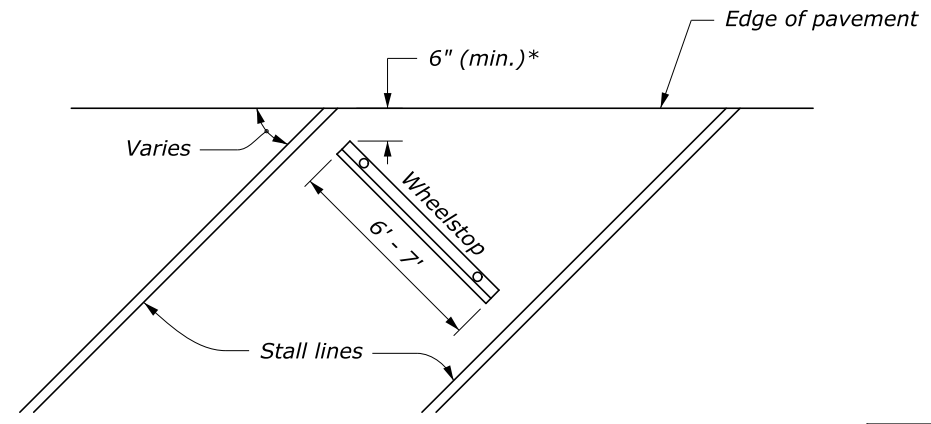
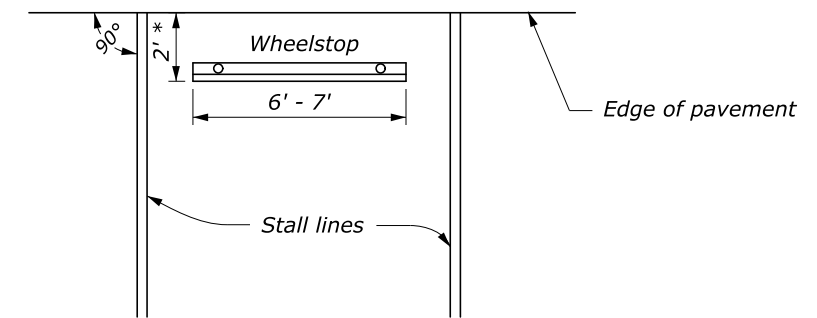


CONCRETE WHEELSTOP WITH DRAIN

- NOTES:**
- Center wheelstops between and perpendicular to stall lines.
 - Variations in wheelstops will be allowed to meet manufacturer's standards with the approval of the CO.
 - Pin the wheelstops with No. 6 reinforcing steel or 3/4-inch steel rods according to Subsection 609.08.
 - Extend the reinforcing steel to within 1 inch of ends of wheelstop.



CONCRETE WHEELSTOP WITHOUT DRAIN



WHEELSTOP LAYOUT

* Increase distance for wall or other obstructions as directed by the CO.

NO SCALE

U.S. DEPARTMENT OF TRANSPORTATION FEDERAL HIGHWAY ADMINISTRATION EASTERN FEDERAL LANDS HIGHWAY DIVISION	
U.S. CUSTOMARY DETAIL	
CONCRETE WHEELSTOP	
DETAIL APPROVED FOR USE	DETAIL
APPROVED: MAY 2011 REVISED: JANUARY 2021	E609-03

19-Jan-2021 01:59 PM M:\Standards_and_Details\EFHLD_Detail\Drawings\FP-4\FP-4_ORD_Version\ORD_Ready\Section\609\609.dwg V81sf69903_detail.dgn