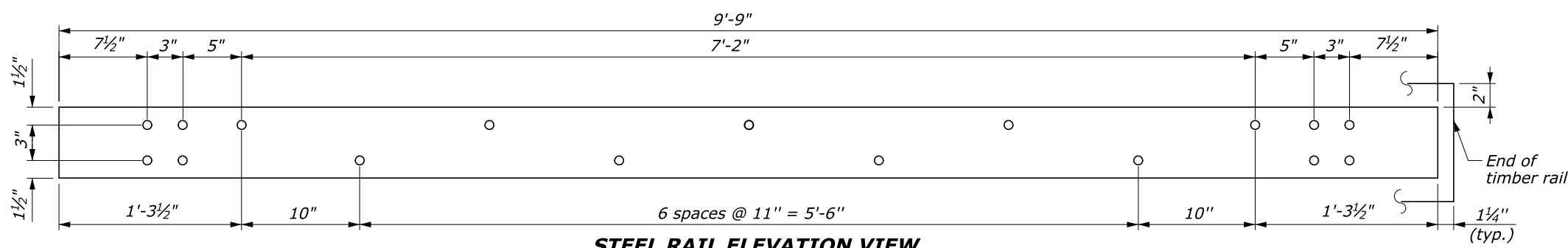
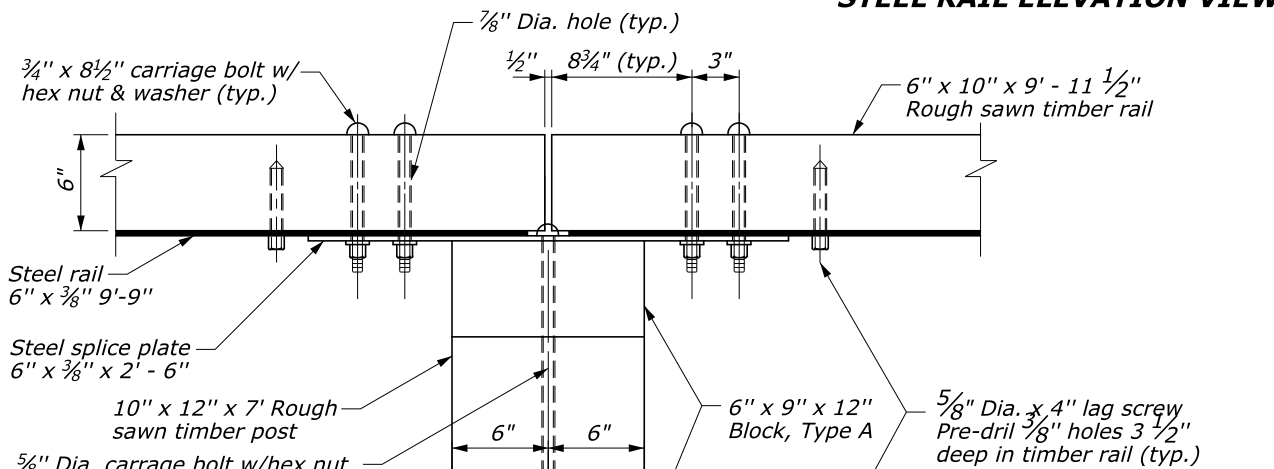


NOTES:

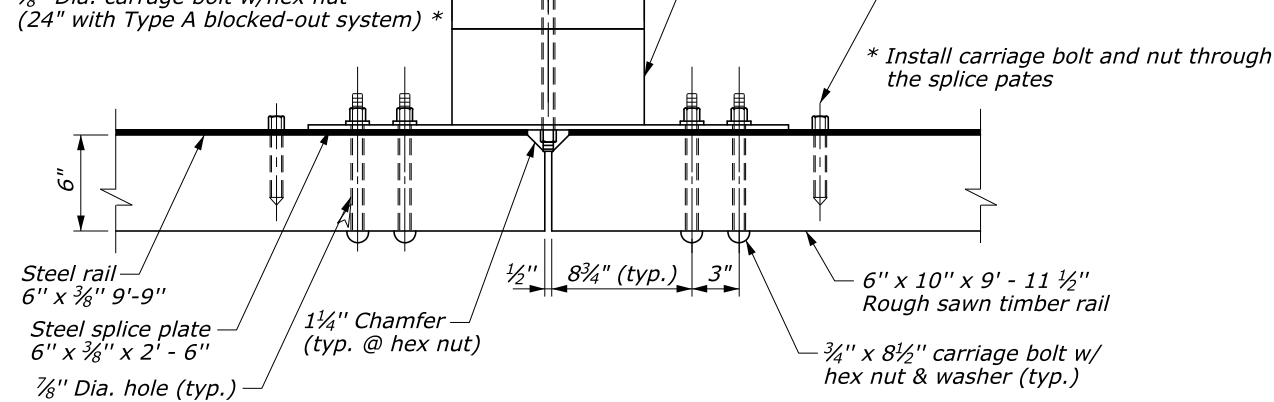
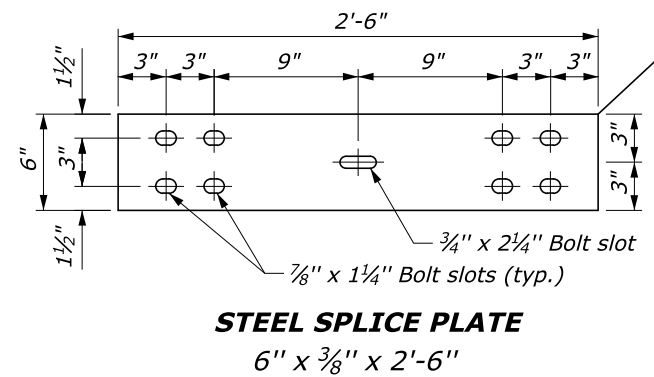
1. Use the Type A, blocked-out, system for median guardrail.
2. Use weathering steel for all structural steel and fastener hardware as specified.
3. Place a terminal section on both approach and trailing ends of median barrier installations. See Details ET 617-61 and Standard 617-62.
4. Use no more than 3 short guardrail posts in a row. A 25-inch diameter round anchor may be used instead of the square anchor shown. A reduced size is acceptable in solid rock as approved by the CO.
5. In areas where the rail face is offset a minimum of 20 feet from the edge of travel lane, a maximum approach shoulder slope of 1V:6H may be used.



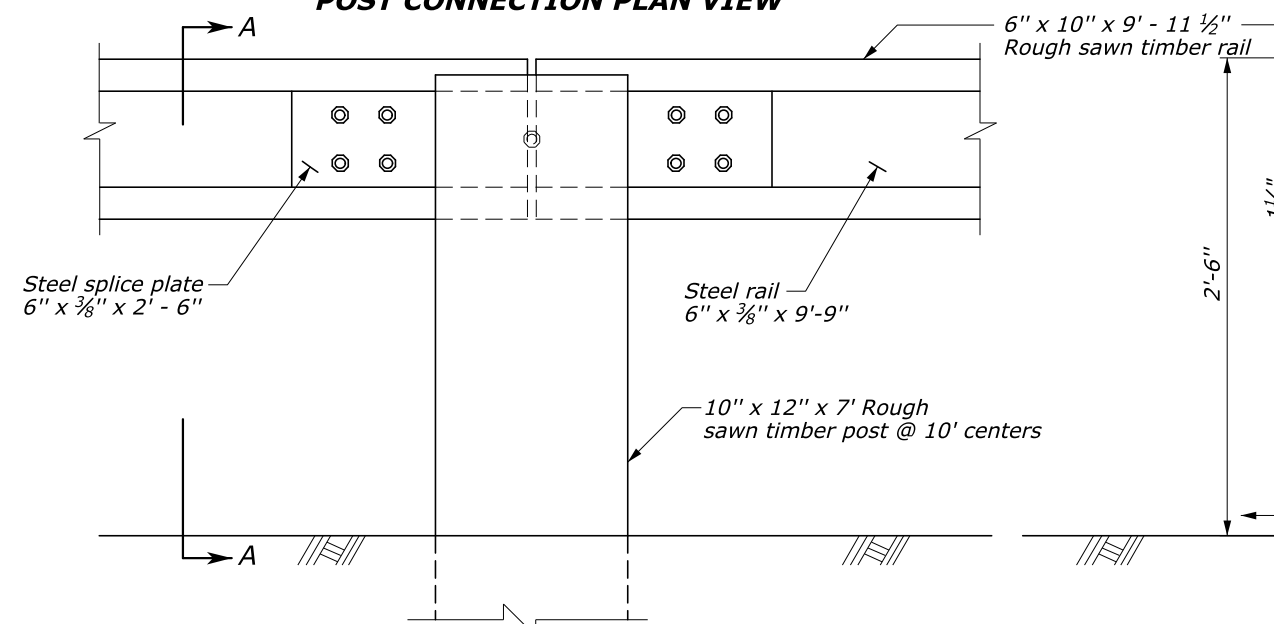
STEEL RAIL ELEVATION VIEW



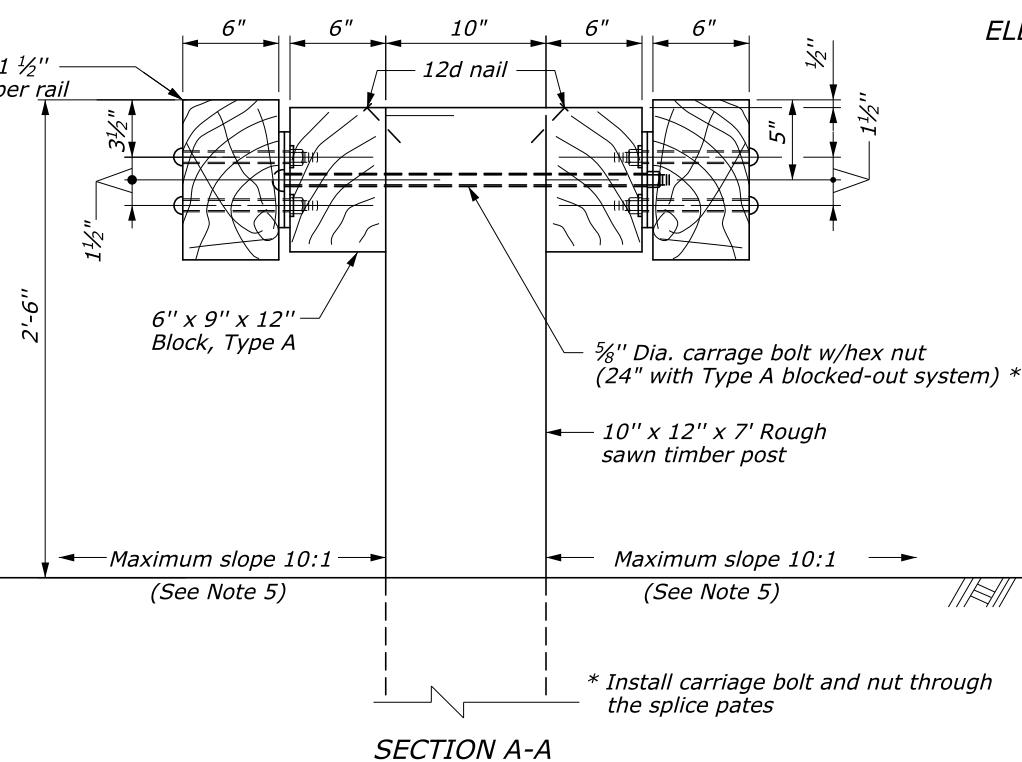
STEEL SPLICE PLATE



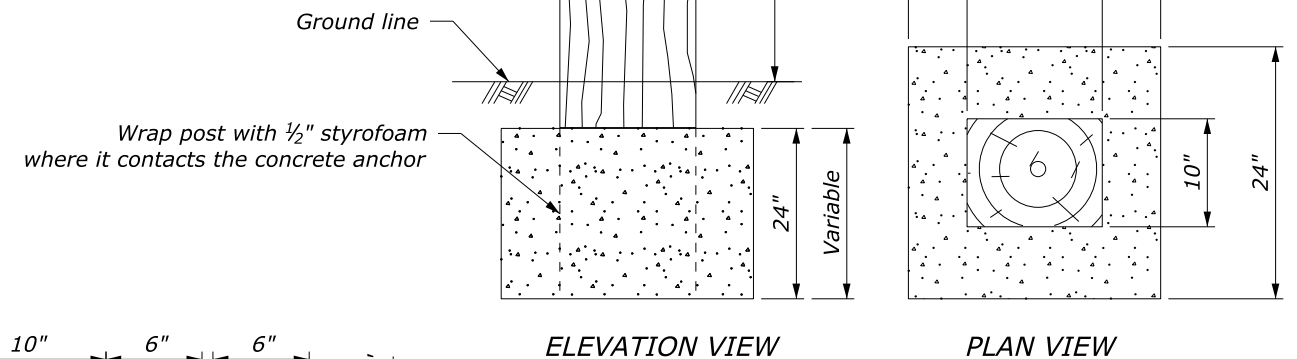
POST CONNECTION PLAN VIEW



**POST CONNECTION ELEVATION VIEW
(Viewing Back of Rail)**



SECTION A-A



**CONCRETE ANCHOR FOR SHORT GUARDRAIL ASSEMBLY
(SEE NOTE 4)**

NO SCALE

U.S. DEPARTMENT OF TRANSPORTATION FEDERAL HIGHWAY ADMINISTRATION EASTERN FEDERAL LANDS HIGHWAY DIVISION	
U.S. CUSTOMARY DETAIL	
STEEL-BACKED TIMBER GUARDRAIL MEDIAN, TYPE A	
DETAIL APPROVED FOR USE APPROVED : MAY 2011 REVISED : FEBRUARY 2022	DETAIL E617-70