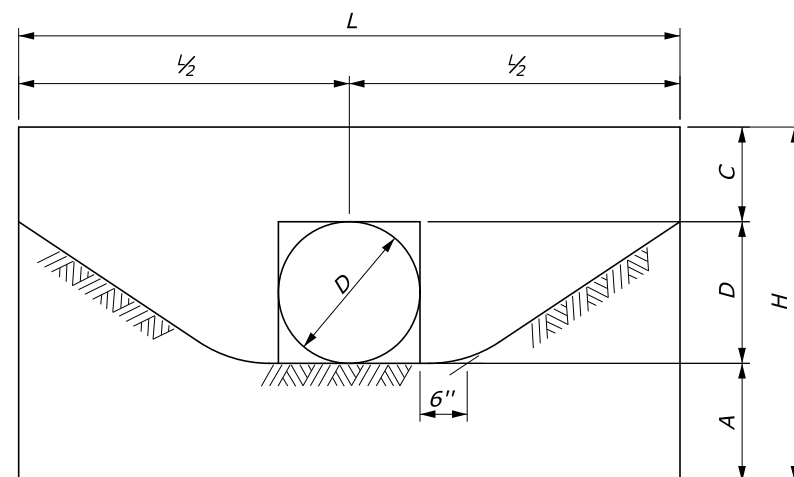
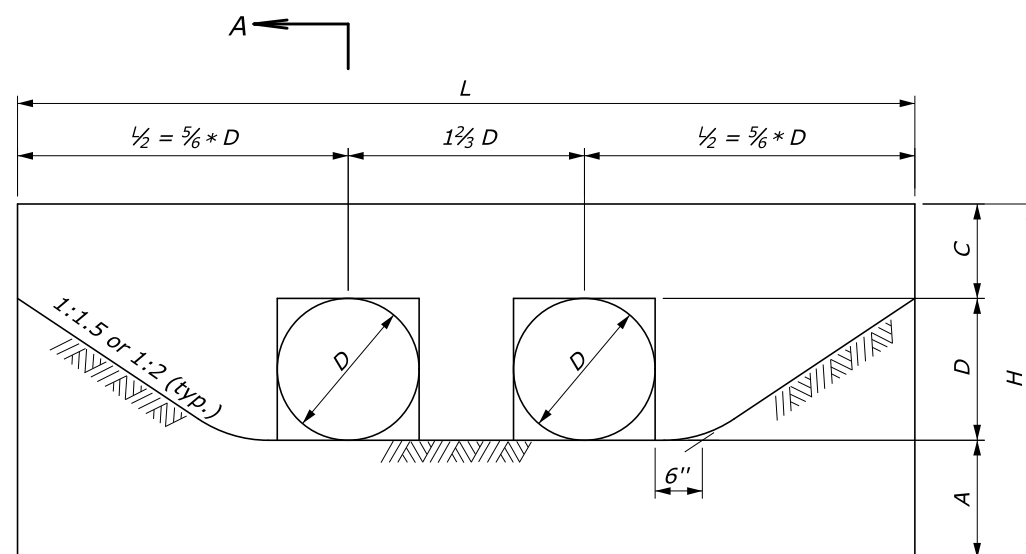


NOTES:

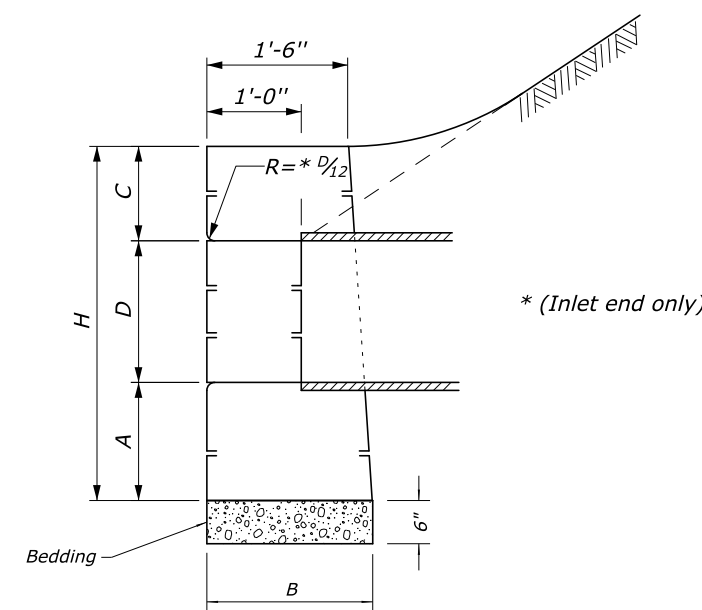
1. All headwalls are oriented parallel to the roadway centerline unless otherwise indicated on the plans or by the CO.
2. When pipes are on skew, adapt and lengthen headwalls as directed.
3. Quantities shown in the table are for one headwall with pipe at right angles.
4. Construct headwalls using dimensions shown under values for 1½:1 slope, unless otherwise designated by the CO.



SINGLE



DOUBLE



* (Inlet end only)

SECTION A-A

	VALUES FOR 1½: 1 SLOPES								VALUES FOR 2:1 SLOPES							
	SINGLE				DOUBLE				SINGLE				DOUBLE			
D (In.)	18"	24"	30"	36"	18"	24"	30"	36"	18"	24"	30"	36"	18"	24"	30"	36"
L or L'	7'-0"	10'-0"	13'-0"	16'-0"	9'-6"	13'-4"	17'-2"	21'-0"	8'-6"	12'-4"	16'-2"	20'-0"	11'-0"	15'-8"	20'-4"	25'-0"
H	3'-9"	4'-10"	5'-11"	7'-0"	3'-9"	4'-10"	5'-11"	7'-0"	3'-9"	4'-10"	5'-11"	7'-0"	3'-9"	4'-10"	5'-11"	7'-0"
B	1'-9"	2'-0"	2'-5"	2'-10"	1'-9"	2'-0"	2'-5"	2'-10"	1'-9"	2'-0"	2'-5"	2'-10"	1'-9"	2'-0"	2'-5"	2'-10"
A (min.)	1'-3"	1'-6"	1'-9"	2'-0"	1'-3"	1'-6"	1'-9"	2'-0"	1'-3"	1'-6"	1'-9"	2'-0"	1'-3"	1'-6"	1'-9"	2'-0"
C	1'-0"	1'-4"	1'-8"	2'-0"	1'-0"	1'-4"	1'-8"	2'-0"	1'-0"	1'-4"	1'-8"	2'-0"	1'-0"	1'-4"	1'-8"	2'-0"
Stone (CY)	1.45	2.87	5.14"	8.28	1.89	3.66	6.47	10.37	1.78	3.60	6.50	10.53	2.22	4.39	7.83	12.62

U.S. DEPARTMENT OF TRANSPORTATION
FEDERAL HIGHWAY ADMINISTRATION
EASTERN FEDERAL LANDS HIGHWAY DIVISION

U.S. CUSTOMARY DETAIL

**STONE MASONRY HEADWALLS
FOR SMALL PIPE CULVERTS**

DETAIL APPROVED FOR USE

APPROVED : MAY 2011
REVISED : SEPTEMBER 2014

DETAIL
E620-01