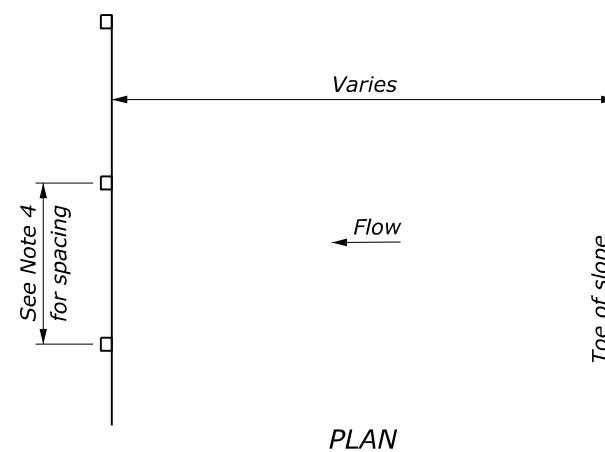


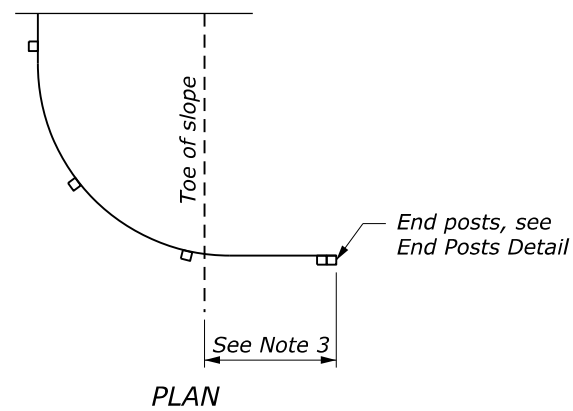
POST AND GEOTEXTILE INSTALLATION DETAIL



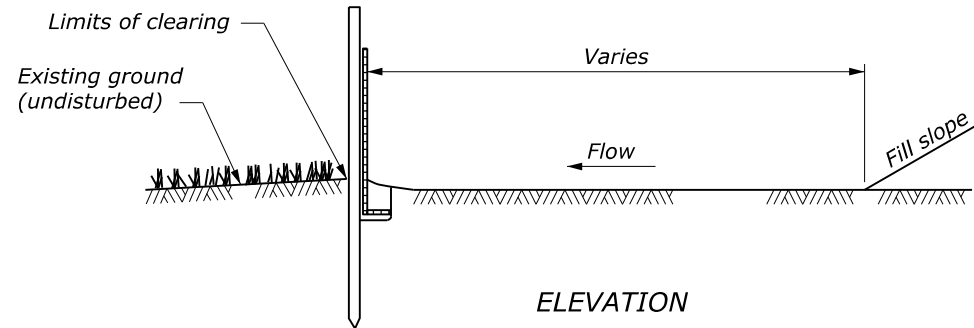
PLAN

NOTE:

1. Alternate preassembled silt fence options will be allowed as long as specified dimensions are satisfied. Follow manufacturer's recommendations for installation procedures. All types must ensure silt fence remains attached to, and does not slide down, supporting posts.
2. Install silt fence to follow the ground contours as closely as possible.
3. Curve ends of silt fence upgrade to prevent water from running around the ends.
4. 10-foot (max.) spacing with silt fence reinforcement. 6-foot (max.) spacing without silt fence reinforcement.

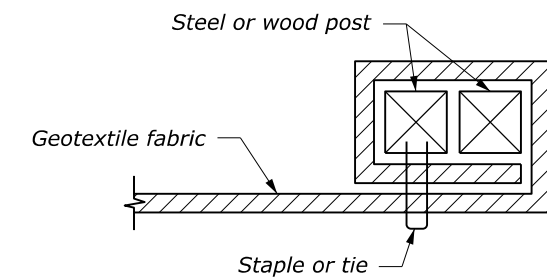


PLAN



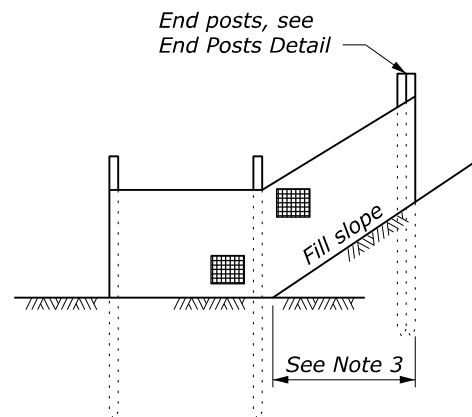
ELEVATION

SILT FENCE INSTALLATION AT TOE OF FILL



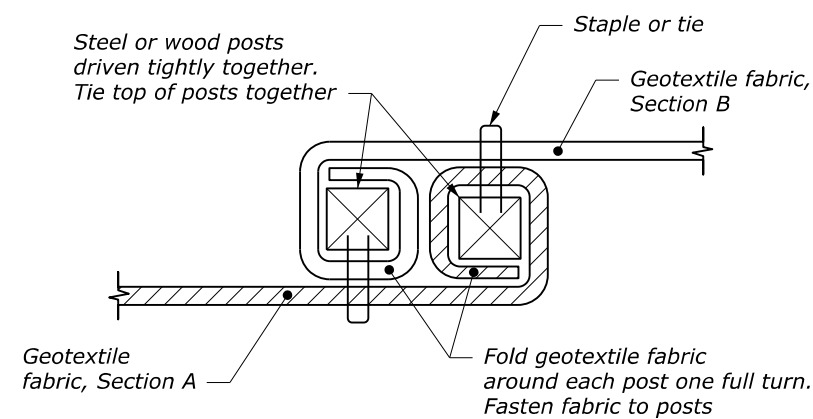
PLAN

END POSTS DETAIL



ELEVATION

END DETAIL



PLAN

POSTS AT JOINTS

NO SCALE

U.S. DEPARTMENT OF TRANSPORTATION FEDERAL HIGHWAY ADMINISTRATION OFFICE OF FEDERAL LANDS HIGHWAY	
WFLHD DETAIL	
SILT FENCE	
DETAIL APPROVED FOR USE 10/2016 REVISED:	DETAIL W157-1