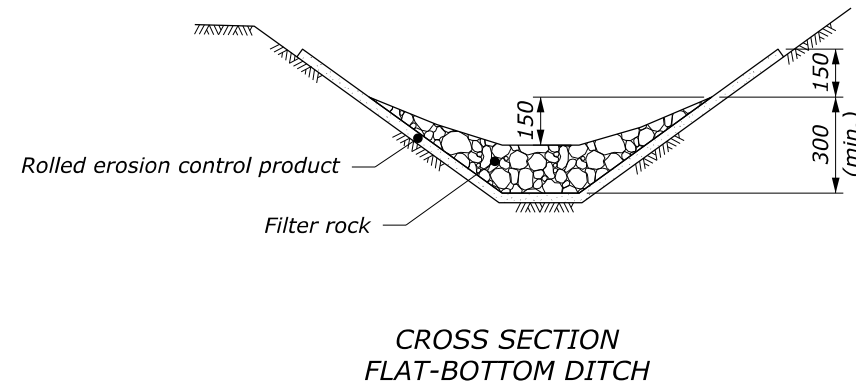
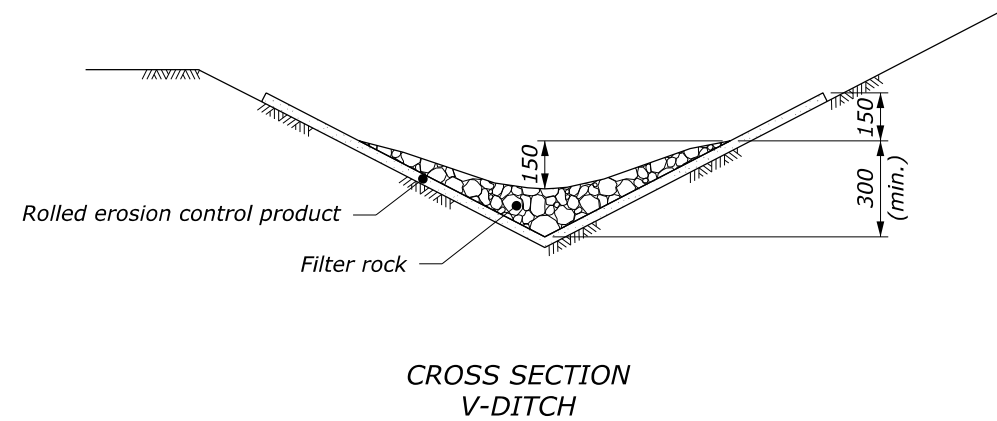
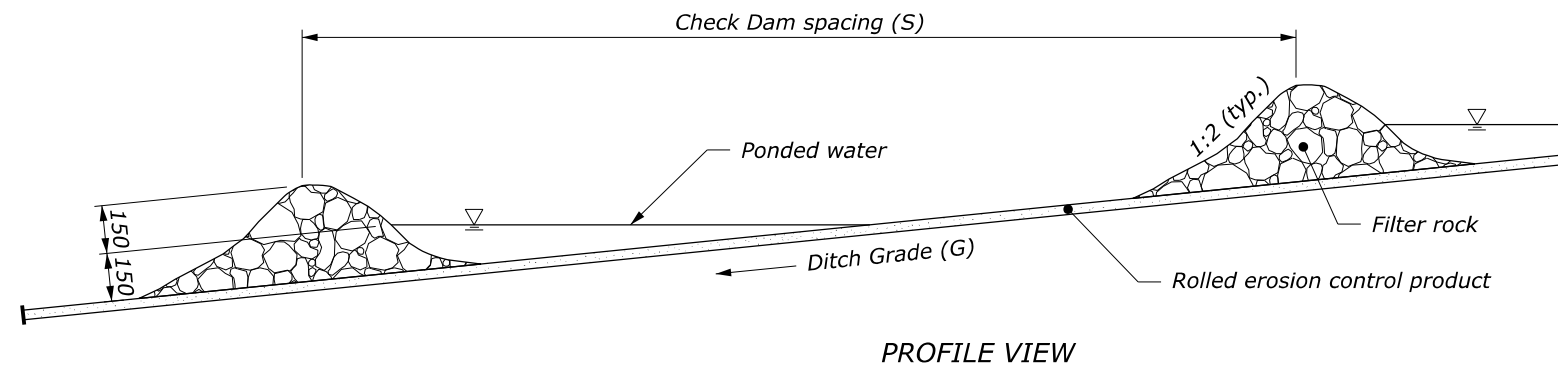


**NOTE:**

1. Repair all rills or gullies and properly compact prior to installation.
2. Install check dams in ditches perpendicular to the flowline.
3. Adjust check dam spacing based on site-specific conditions.
4. Dimensions without units are millimeters.



| FILTER ROCK CHECK DAM SPACING<br>(See Note 3) |                                |
|---|--------------------------------|
| DITCH GRADE (G)                               | MAX. CHECK DAM SPACING (S) (m) |
| 7%  | 12                             |
| 8% and 9%                                     | 9                              |
| ≥10%  | 6                              |

**FILTER ROCK CHECK DAM WITH ROLLED EROSION CONTROL PRODUCT**

NO SCALE

|  |          |
|--|----------|
| U.S. DEPARTMENT OF TRANSPORTATION<br>FEDERAL HIGHWAY ADMINISTRATION<br>OFFICE OF FEDERAL LANDS HIGHWAY |          |
| WFLHD METRIC DETAIL  |          |
| <b>CHECK DAM WITH ROLLED EROSION CONTROL PRODUCT</b>   |          |
| DETAIL APPROVED FOR USE 7/2016   | DETAIL   |
| REVISED:   | WM157-16 |