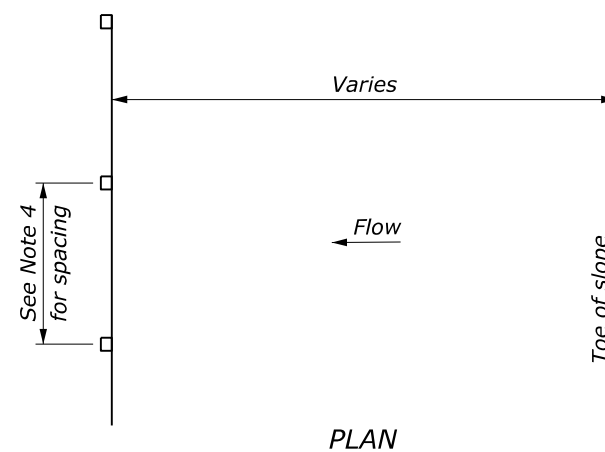


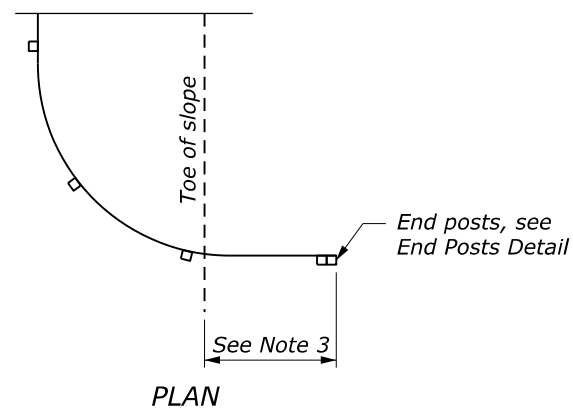
**POST AND GEOTEXTILE INSTALLATION DETAIL**



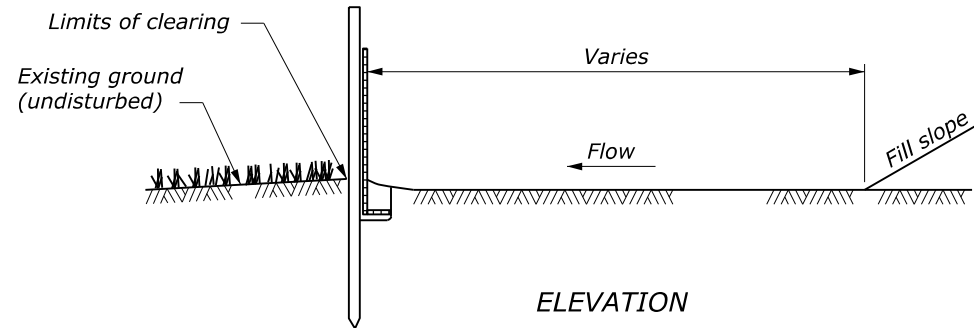
PLAN

**NOTE:**

1. Alternate preassembled silt fence options will be allowed as long as specified dimensions are satisfied. Follow manufacturer's recommendations for installation procedures. All types must ensure silt fence remains attached to, and does not slide down, supporting posts.
2. Install silt fence to follow the ground contours as closely as possible.
3. Curve ends of silt fence upgrade to prevent water from running around the ends.
4. 3-meters (max.) spacing with silt fence reinforcement.  
1.8-meters (max.) spacing without silt fence reinforcement.
5. Dimensions without units are millimeters.

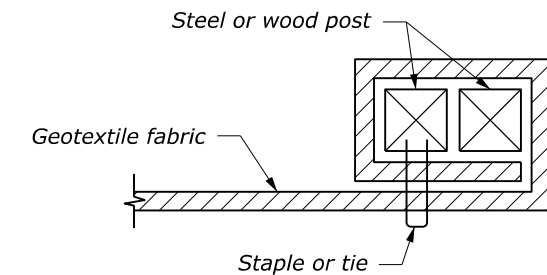


PLAN



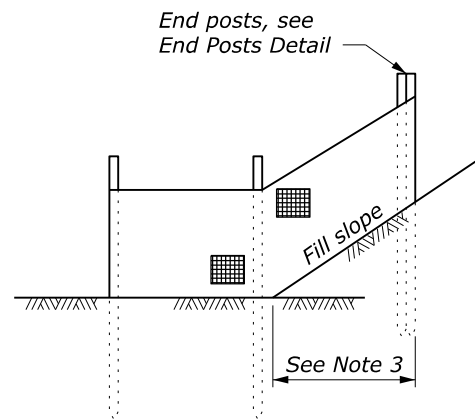
ELEVATION

**SILT FENCE INSTALLATION AT TOE OF FILL**



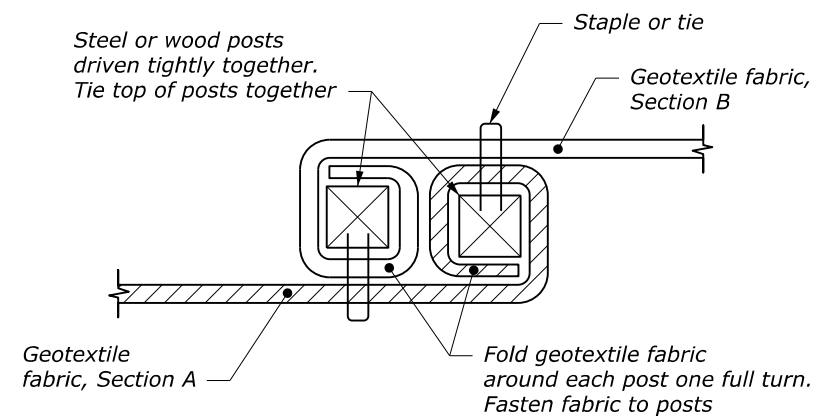
PLAN

**END POSTS DETAIL**



ELEVATION

**END DETAIL**



PLAN

**POSTS AT JOINTS**

NO SCALE

U.S. DEPARTMENT OF TRANSPORTATION FEDERAL HIGHWAY ADMINISTRATION OFFICE OF FEDERAL LANDS HIGHWAY	
WFLHD METRIC DETAIL	
<b>SILT FENCE</b>	
DETAIL APPROVED FOR USE 10/2016	DETAIL
REVISED:	WM157-1