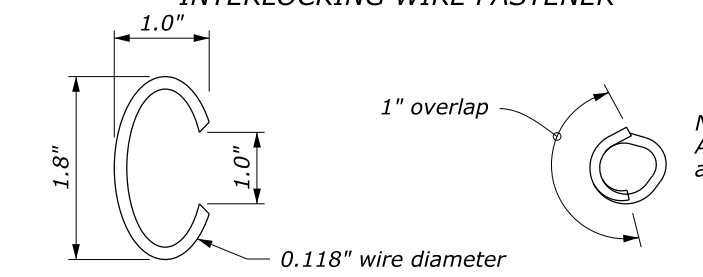


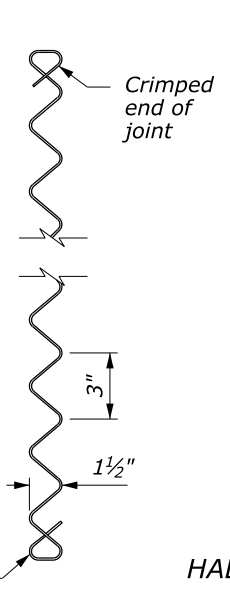
BEFORE CLOSURE AFTER CLOSURE
INTERLOCKING WIRE FASTENER

NOTE:
All dimensions
are nominal

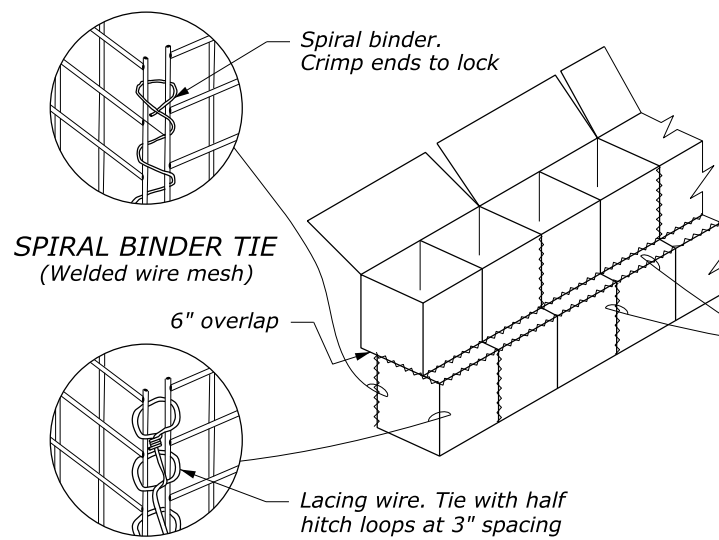


BEFORE CLOSURE AFTER CLOSURE
OVERLAPPING RING WIRE FASTENER

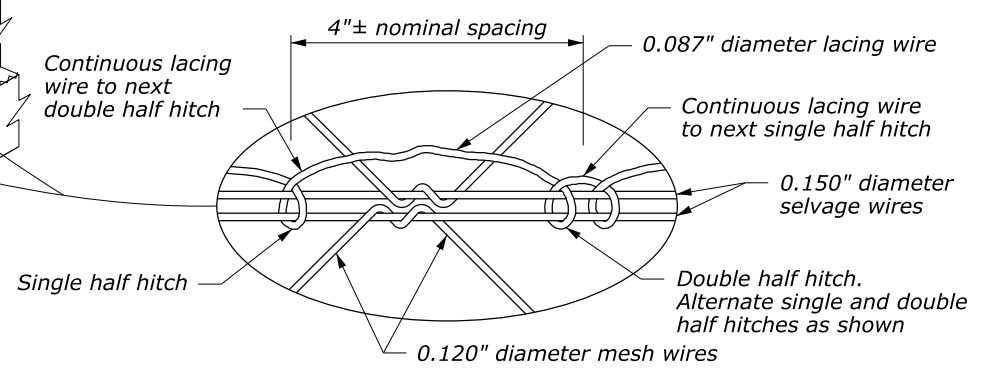
ALTERNATE TYING FASTENERS



0.150" DIAMETER SPIRAL BINDER

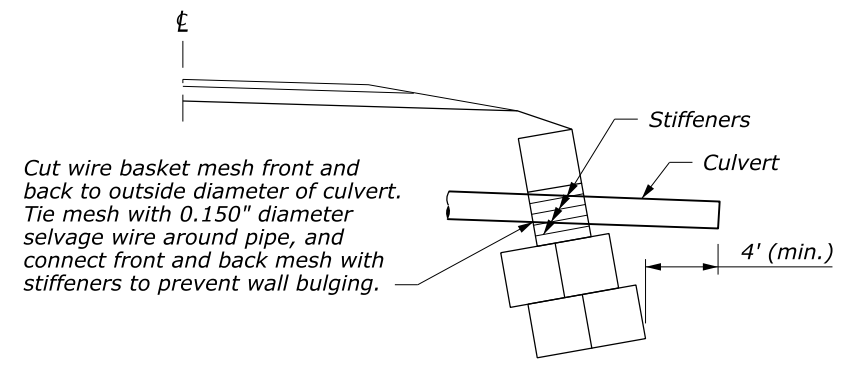


HALF HITCH LACING DETAIL (Welded wire mesh)

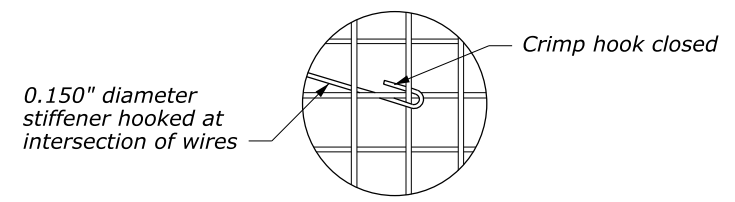


HALF HITCH LACING DETAIL (Twisted wire mesh)

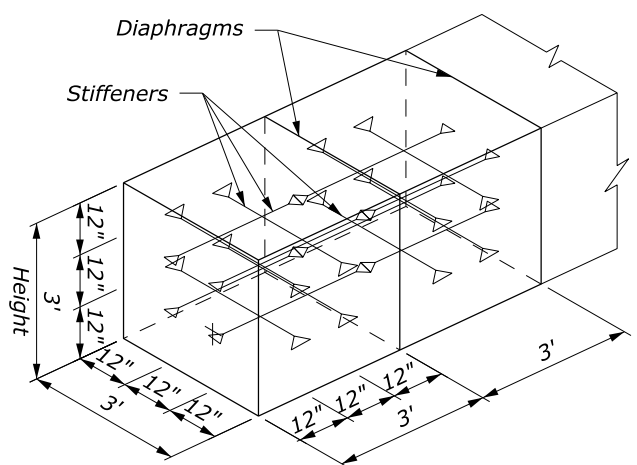
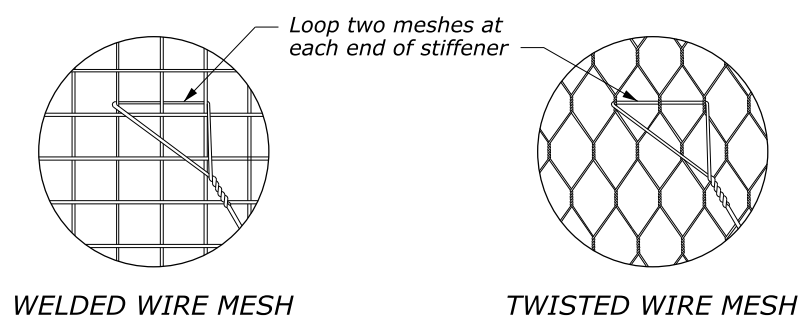
TYPICAL INSTALLATION GABION BASKETS



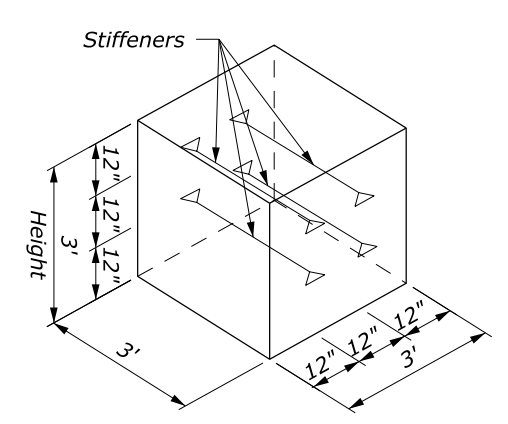
TYPICAL CULVERT INSTALLATION THROUGH GABION WALL



OPTIONAL STIFFENERS WELDED WIRE GABION BASKET

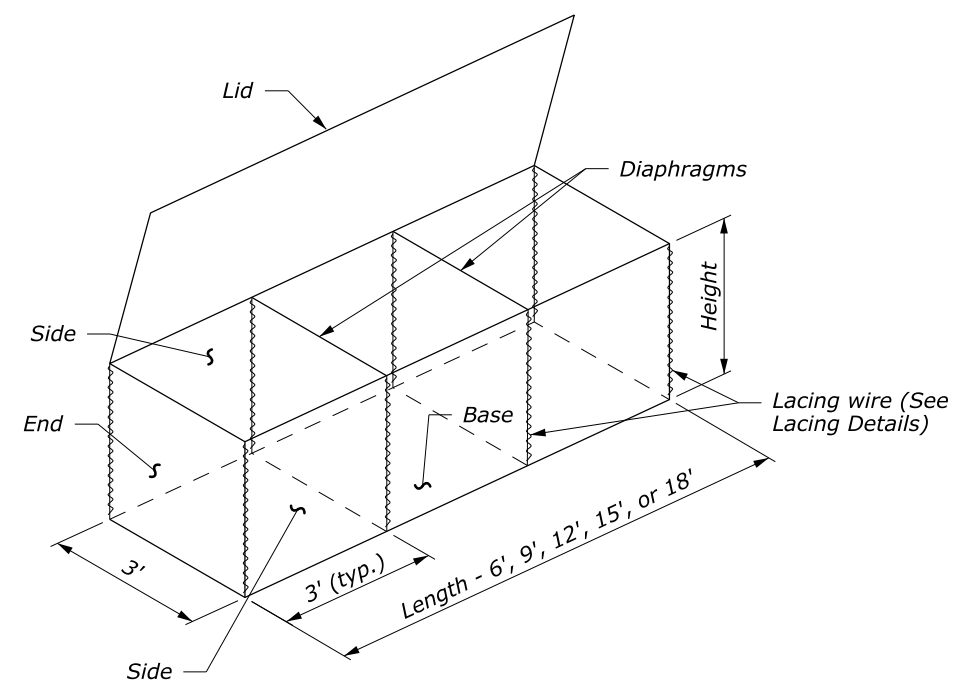


ALL END GABION CELLS



ALL INTERIOR GABION CELLS

TYPICAL STIFFENERS



TYPICAL ASSEMBLED GABION BASKET

GABION BASKET NOMINAL SIZES AND CAPACITY				
Size Code Letter	Size in feet		Diaphragm Partitions	Capacity (CUYD)
	Length	Height		
A	6	3	1	2
B	9	3	2	3
C	12	3	3	4
X	15	3	4	5
Y	18	3	5	6

NO SCALE

U.S. DEPARTMENT OF TRANSPORTATION FEDERAL HIGHWAY ADMINISTRATION WESTERN FEDERAL LANDS HIGHWAY DIVISION	
U.S. CUSTOMARY DETAIL	
GABION FACED WALL	
DETAIL APPROVED FOR USE --/---	DETAIL W253-2
REVISED: 9/2011	