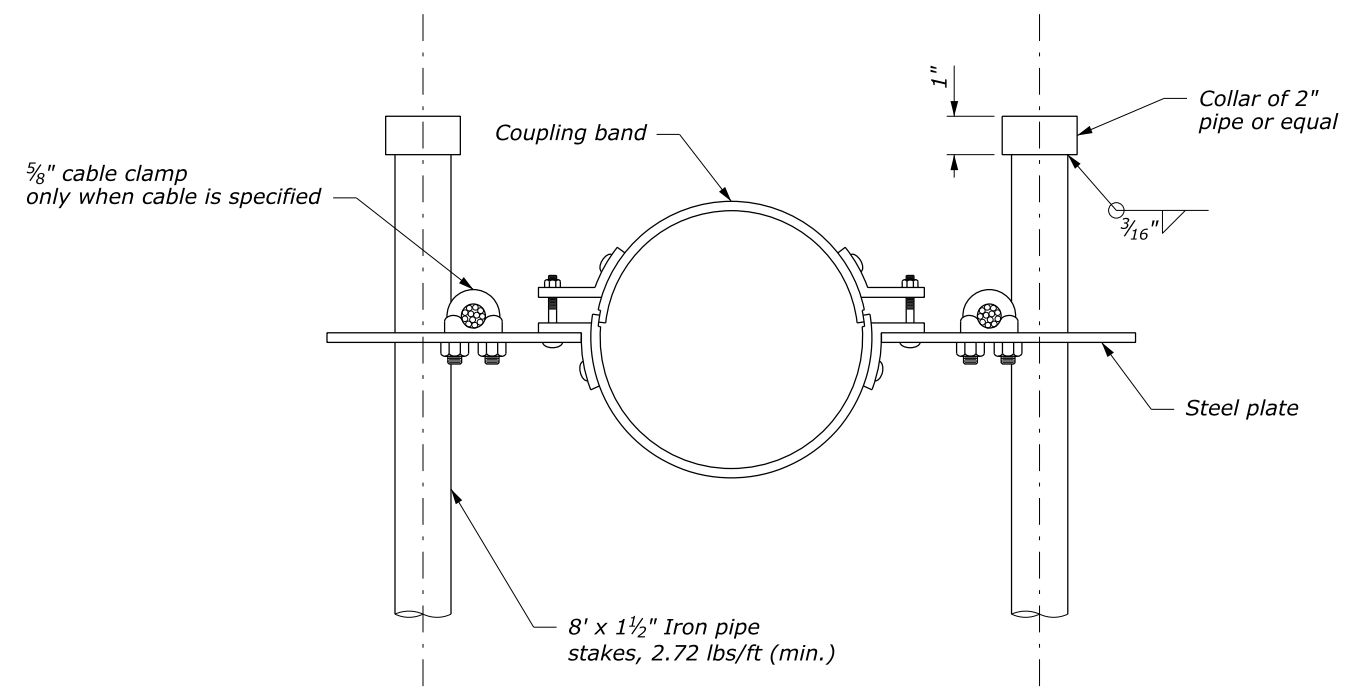
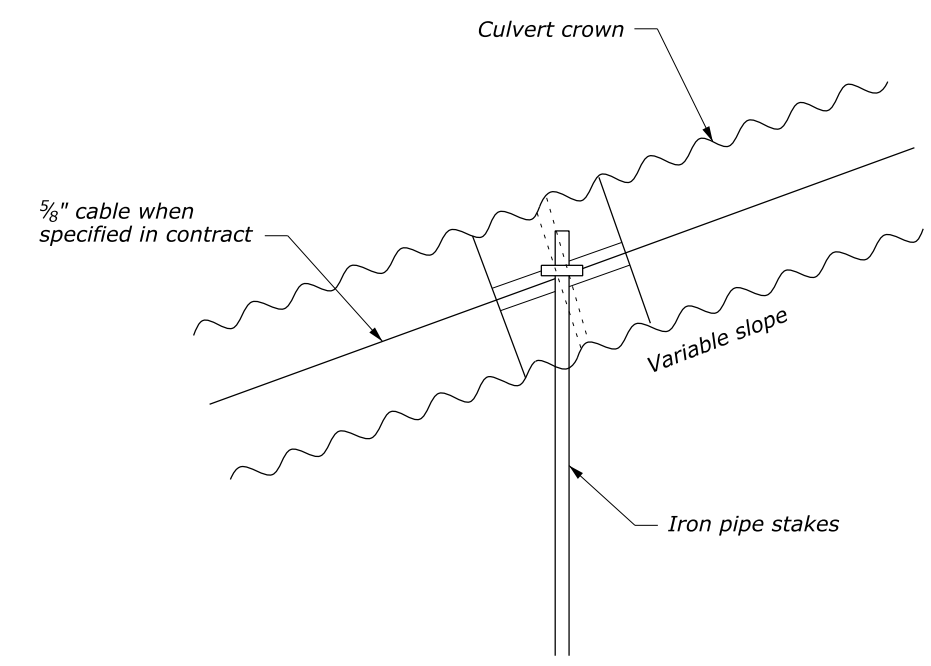


STEEL PLATE



ANCHOR ASSEMBLY



METAL PIPE ASSEMBLY

- NOTE:**
1. All pipe stakes and hardware to be galvanized after fabrication.
 2. Approved alternative pipe anchor assemblies may be used.
 3. Place slope anchor assemblies on 20' max. centers on slopes 20% or greater.
 4. Plate material to be ASTM A36. Galvanize after fabrication.

U.S. DEPARTMENT OF TRANSPORTATION FEDERAL HIGHWAY ADMINISTRATION WESTERN FEDERAL LANDS HIGHWAY DIVISION	
U.S. CUSTOMARY DETAIL	
PIPE ANCHOR ASSEMBLY	
DETAIL APPROVED FOR USE 4/2009	DETAIL
REVISED: 9/2009	W606-14

NO SCALE