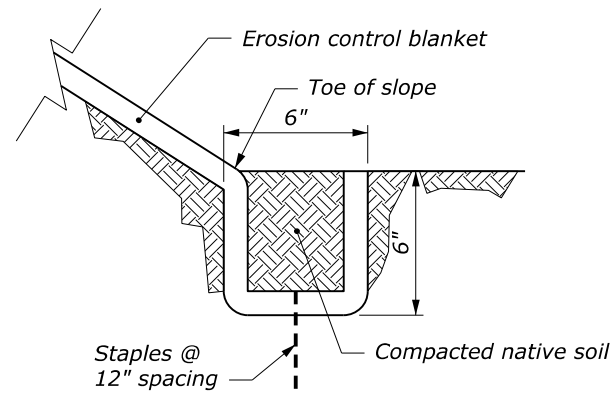
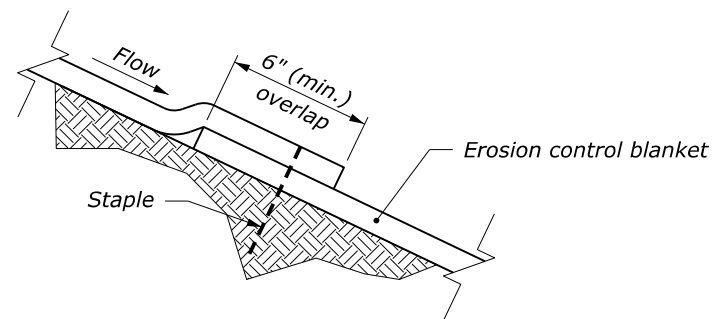


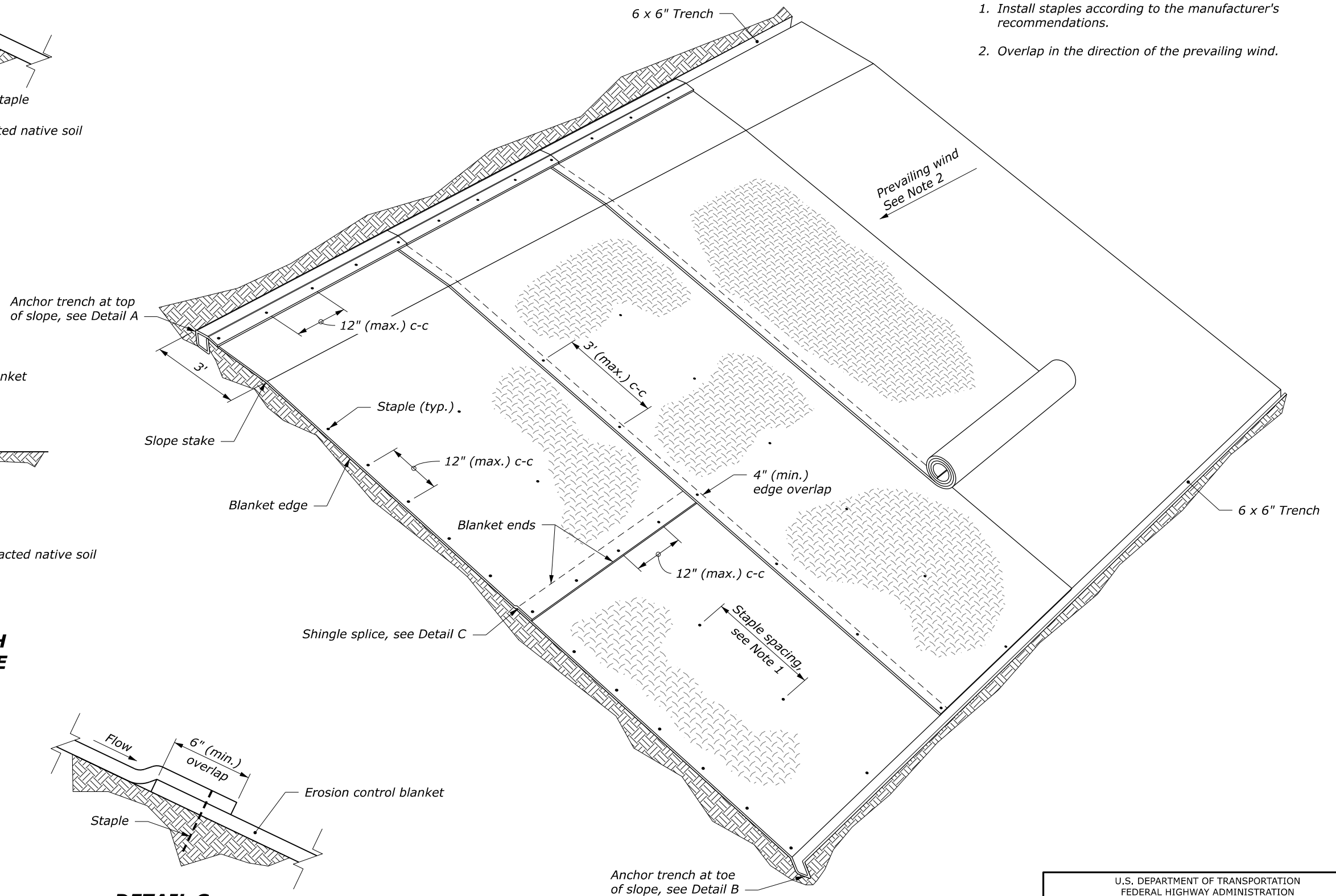
**DETAIL A  
ANCHOR TRENCH  
AT TOP OF SLOPE**



**DETAIL B  
ANCHOR TRENCH  
AT TOE OF SLOPE**



**DETAIL C  
SHINGLE SPLICE**



**PERSPECTIVE VIEW**

**NOTE:**

1. Install staples according to the manufacturer's recommendations.
2. Overlap in the direction of the prevailing wind.  
See Note 2

NO SCALE

U.S. DEPARTMENT OF TRANSPORTATION  
FEDERAL HIGHWAY ADMINISTRATION  
OFFICE OF FEDERAL LANDS HIGHWAY

WFLHD DETAIL

**ROLLED EROSION CONTROL  
PRODUCT ON SLOPES**

DETAIL APPROVED FOR USE 10/2016  
REVISED:

DETAIL  
W629-1