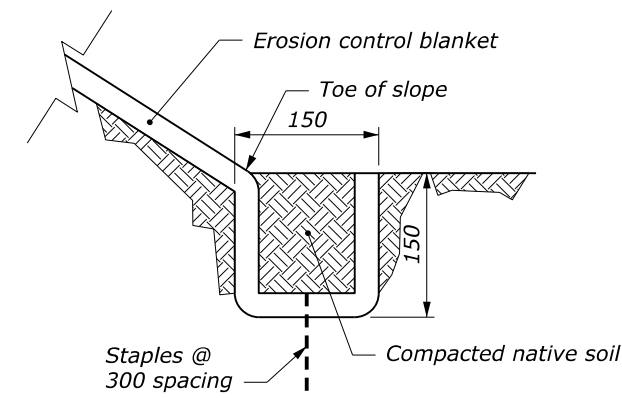
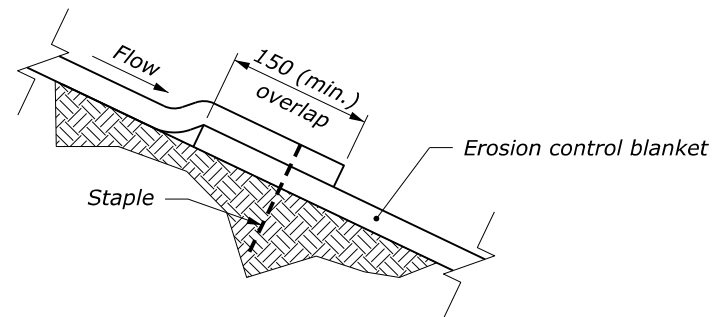


**DETAIL A
ANCHOR TRENCH
AT TOP OF SLOPE**



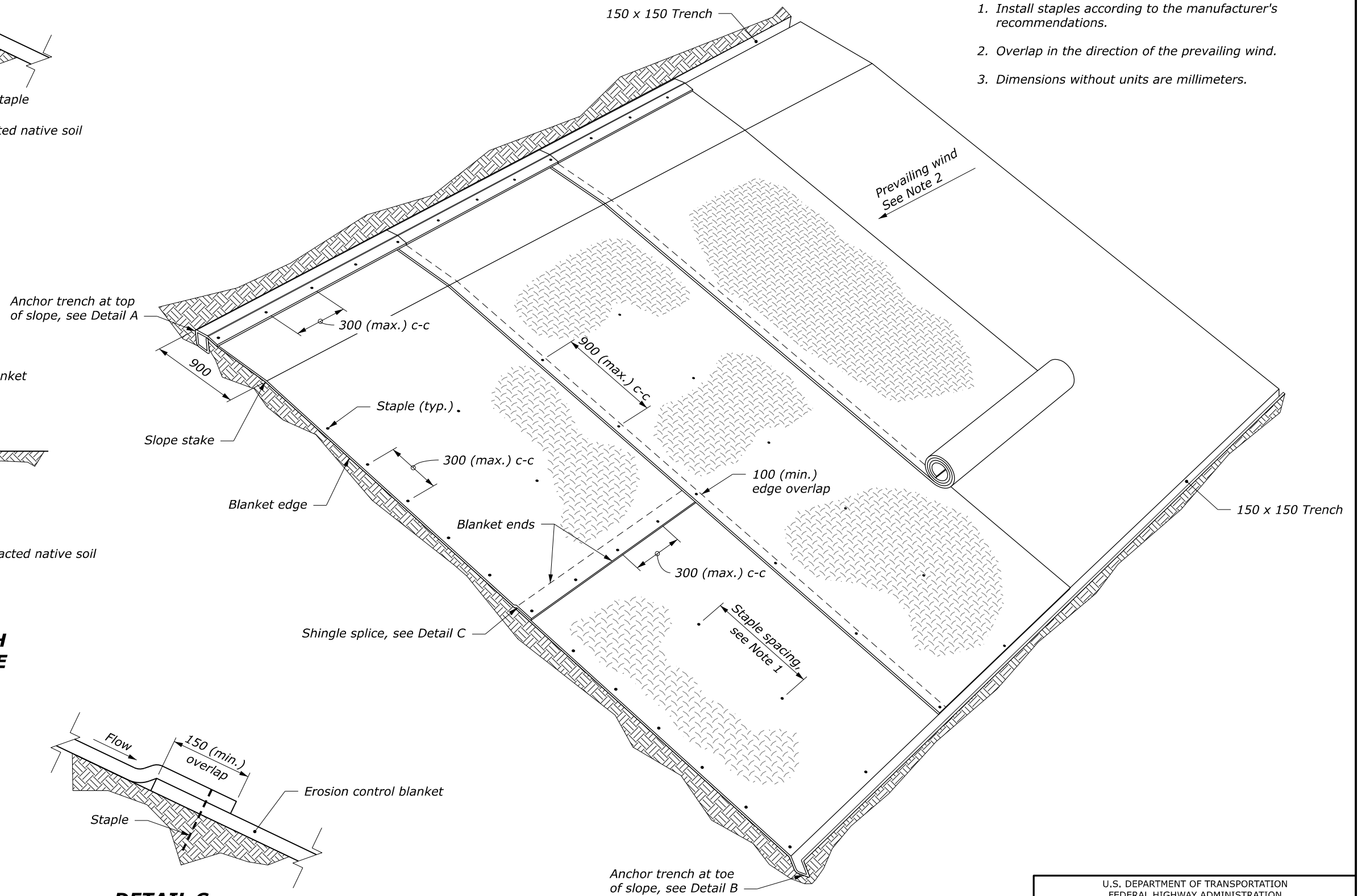
**DETAIL B
ANCHOR TRENCH
AT TOE OF SLOPE**



**DETAIL C
SHINGLE SPLICE**

NOTE:

1. Install staples according to the manufacturer's recommendations.
2. Overlap in the direction of the prevailing wind. See Note 2.
3. Dimensions without units are millimeters.



PERSPECTIVE VIEW

NO SCALE

U.S. DEPARTMENT OF TRANSPORTATION FEDERAL HIGHWAY ADMINISTRATION OFFICE OF FEDERAL LANDS HIGHWAY	
WFLHD METRIC DETAIL	
ROLLED EROSION CONTROL PRODUCT ON SLOPES	
DETAIL APPROVED FOR USE 10/2016	DETAIL
REVISED:	WM629-1