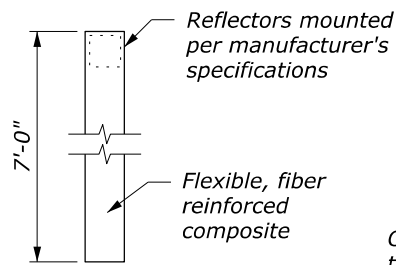


ALT. A

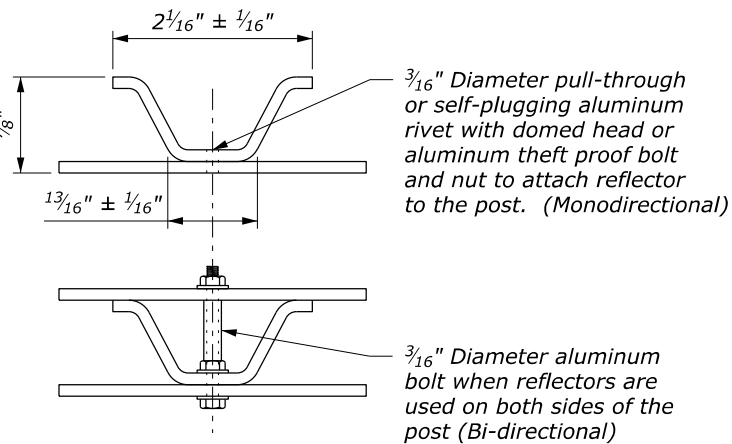
ALT. B

Mount reflectors on aluminum or apply directly to flexible post

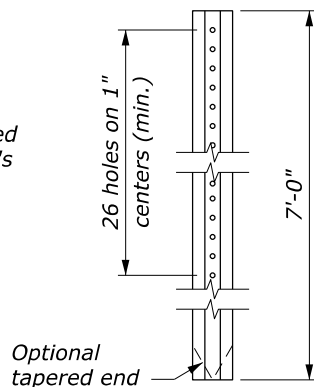
REFLECTIVE SHEETING



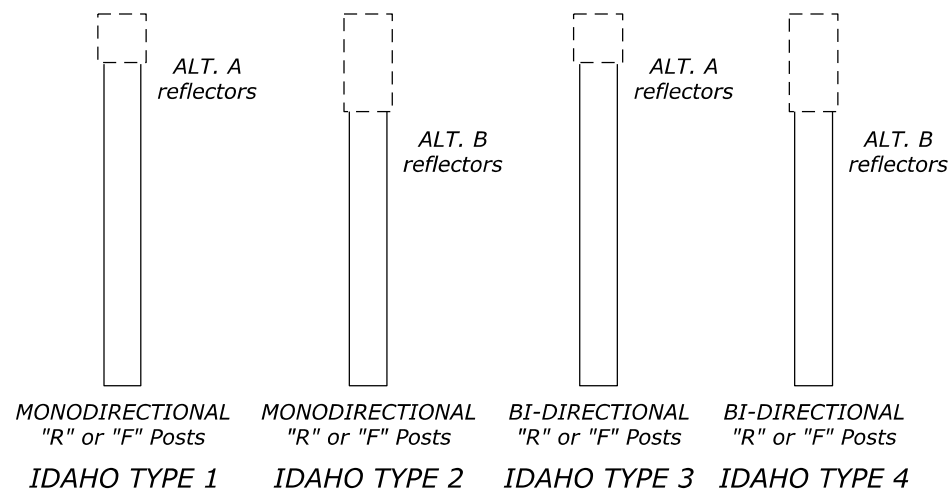
FLEXIBLE, SELF ERECTING OR YIELDING; WHITE UNLESS OTHERWISE NOTED
POST "F" DETAIL



ATTACHMENT DETAIL For "R" Post



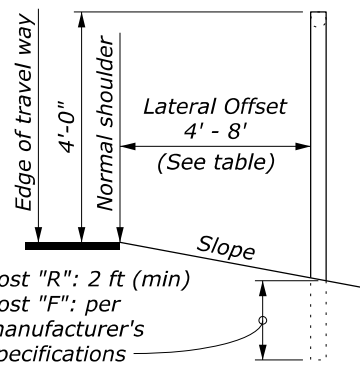
RIGID STEEL OR ALUMINUM (ALL HOLES 1/4" DIAMETER)
POST "R" DETAIL



DELINEATORS

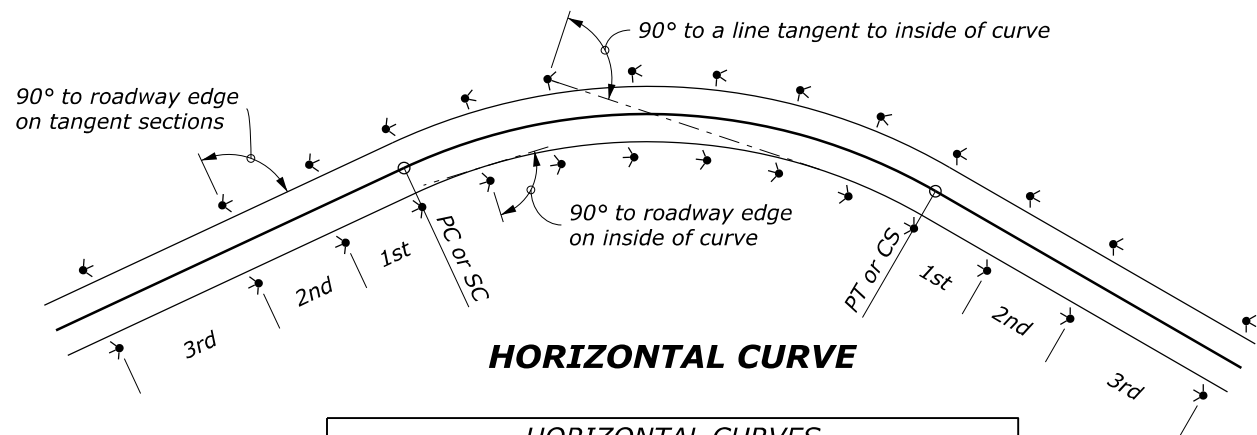
NOTE:

- Where delineators are used only on curves, place three delineators outside the curve limits.
- Place Type 3 delineators on the left side of two-way roadways at extreme curves with radii less than 984 feet to the right. They may also be installed where it is not possible or practical to install and maintain right-hand delineation on both sides.
- If horizontal and vertical curves are combined, use the more restrictive spacing.
- Where delineators are used on tangents, space the delineators at 528 feet. Begin the tangent spacing beyond the spacing requirements for horizontal and vertical curves.
- Delineator reflector colors are shown in the plans. Delineator type includes the post type, for example: Type 1R or Type 3F, etc.
- When the contract does not provide for the construction of the ultimate pavement, allow for the thickness of base and pavement to be placed later when establishing the elevation of the traffic delineators.
- Vary the post spacing up to 1/8 of the spacing shown to clear driveways, cross roads, intersections or ramps. Eliminate the post if the variation is exceeded.



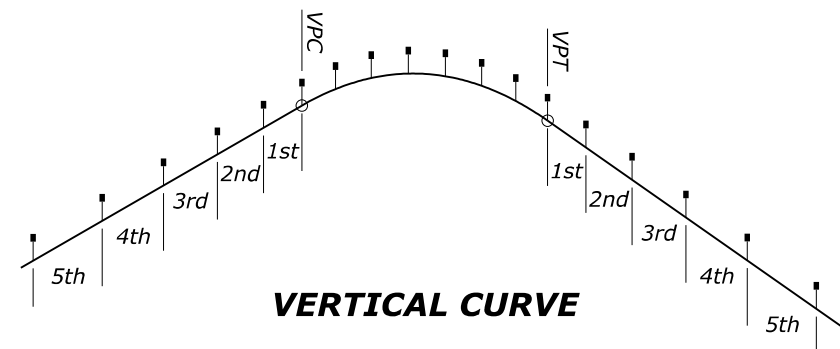
LATERAL PLACEMENT TABLE	
SLOPE	OFFSET
1V:4H	4'-0" to 6'-0"
1V:6H or flatter	6'-0" to 8'-0"
Curb Section	6'-0"

TYPICAL INSTALLATION



HORIZONTAL CURVE

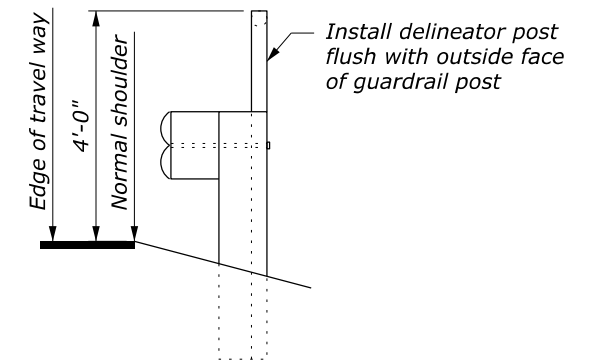
HORIZONTAL CURVES				
CURVE RADIUS (FEET)	SPACING ON EACH SIDE OF ROADWAY (FEET)			
	ON CURVE	BEYOND SC, CS, PC or PT		
		1st SPACE	2nd SPACE	3rd SPACE
≥ 6000	300	528	528	528
1450 - 5999	150	300	528	528
480 - 1449	100	200	300	528
240 - 479	75	150	225	528
< 240	50	100	150	300



VERTICAL CURVE

CREST VERTICAL CURVES						
K	SPACING ON EACH SIDE OF ROADWAY IN FEET					
	ON CURVE	BEYOND VPC or VPT				
		1st SPACE	2nd SPACE	3rd SPACE	4th SPACE	5th SPACE
≥ 550	528	528	528	528	528	528
400 - 549	300	528	528	528	528	528
200 - 399	200	300	528	528	528	528
100 - 199	100	150	200	300	528	528
50 - 99	75	100	150	200	300	528
< 50	50	75	100	150	200	300

$K = L/A$ where L = Length of vertical curve in feet
 A = Algebraic grade change in %



TYPICAL INSTALLATION WITH BEAM TYPE GUARD RAIL

U.S. DEPARTMENT OF TRANSPORTATION
FEDERAL HIGHWAY ADMINISTRATION
OFFICE OF FEDERAL LANDS HIGHWAY

WFLHD DETAIL

IDAHO DELINEATORS

DETAIL APPROVED FOR USE 9/2009
REVISID:

DETAIL
W633-50

NO SCALE