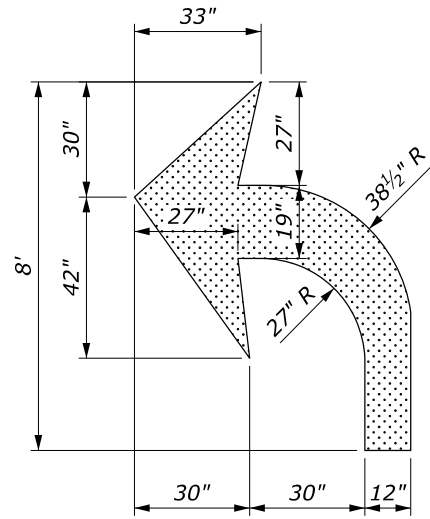
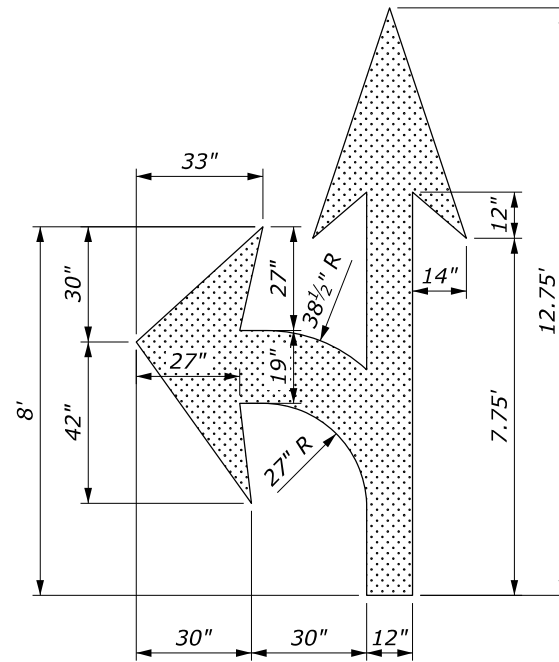


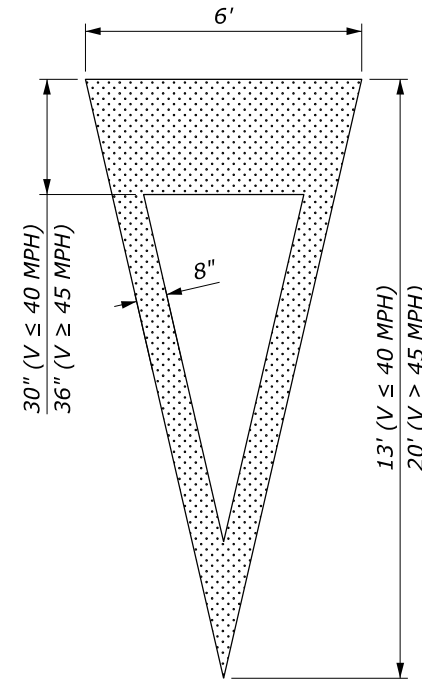
THROUGH LANE-USE ARROW



TURN LANE-USE ARROW



TURN AND THROUGH LANE-USE ARROW

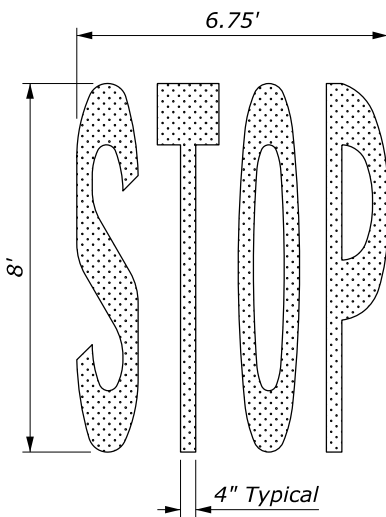


YIELD AHEAD TRIANGLE SYMBOL

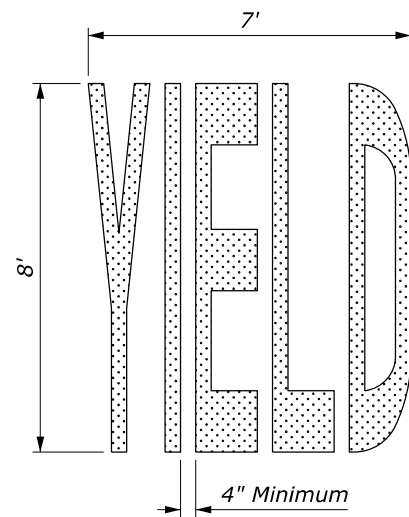
NOTE:

1. Place pavement word and symbol markings in accordance with the "Manual on Uniform Traffic Control Devices" (MUTCD), current edition.
2. All letters, numerals and symbols shall conform with the "Standard Highway Signs", current edition.
3. The Accessibility Parking Space marking only includes the accessibility symbol unless a border is indicated in the Striping Plans.

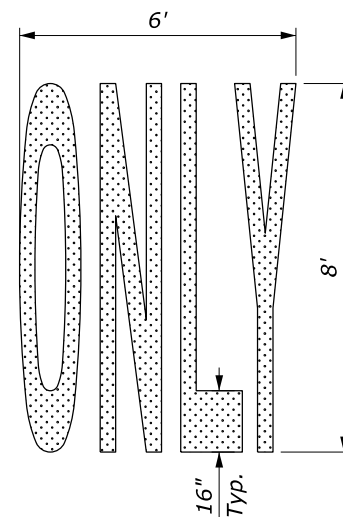
PAVEMENT MARKING AREAS	
TYPE	SQFT
Through Lane-Use Arrow	12
Turn Lane-Use Arrow	16
Turn and Through Lane-Use Arrow	26
Yield Ahead Triangle (V≤40 MPH)	26
Yield Ahead Triangle (V≥45 MPH)	37
Accessibility Marking (symbol only)	2
Accessibility Marking w/ border (White)	5
Accessibility Marking w/ border (Blue)	9
AHEAD Word Marking	30
ONLY Word Marking	21
SCHOOL Word Marking	33
STOP Word Marking	22
YIELD Word Marking	24



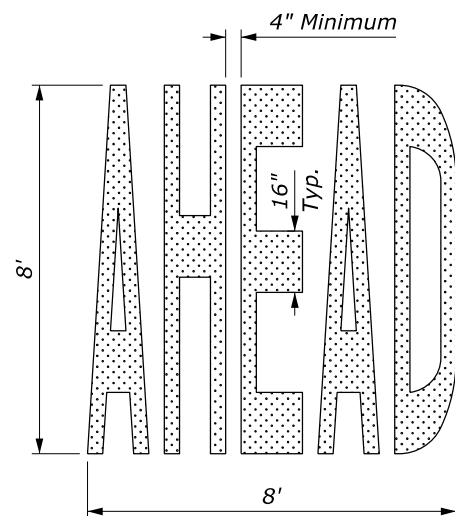
"STOP" WORD MARKING



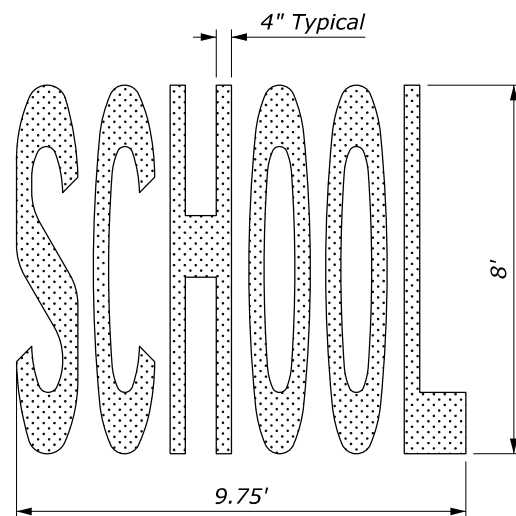
"YIELD" WORD MARKING



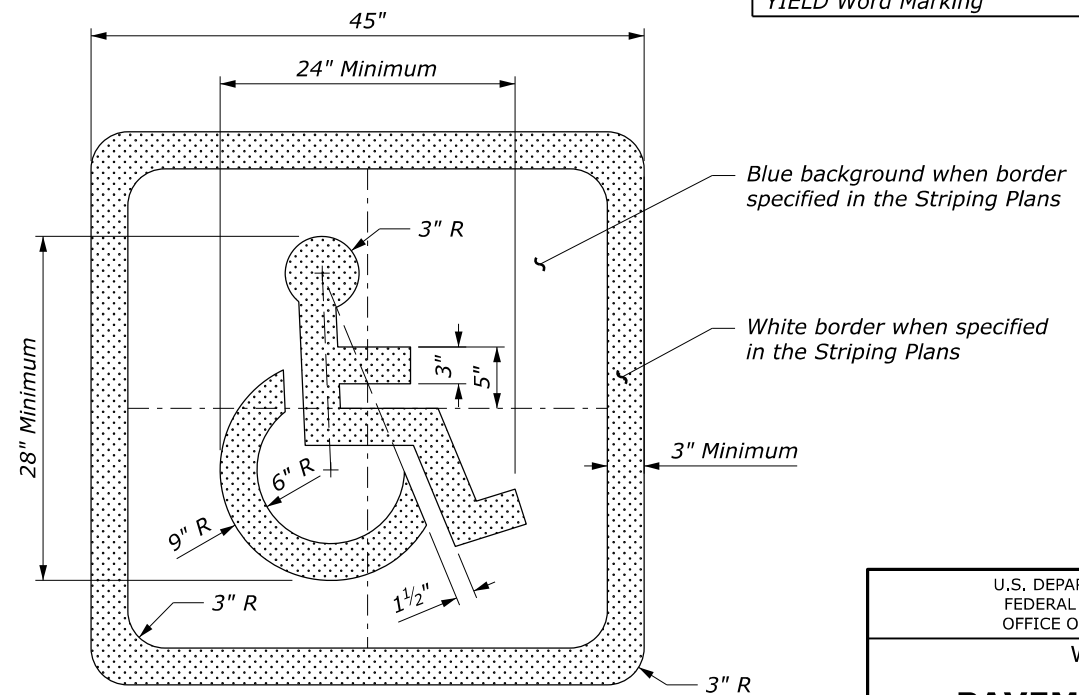
"ONLY" WORD MARKING



"AHEAD" WORD MARKING



"SCHOOL" WORD MARKING



ACCESSIBILITY PARKING SPACE MARKING

Blue background when border specified in the Striping Plans

White border when specified in the Striping Plans

NO SCALE

U.S. DEPARTMENT OF TRANSPORTATION FEDERAL HIGHWAY ADMINISTRATION OFFICE OF FEDERAL LANDS HIGHWAY	
WFLHD DETAIL	
PAVEMENT MARKINGS SYMBOLS AND WORDS	
DETAIL APPROVED FOR USE 3/2003 REVISED: 11/2006 10/2007	DETAIL W634-1