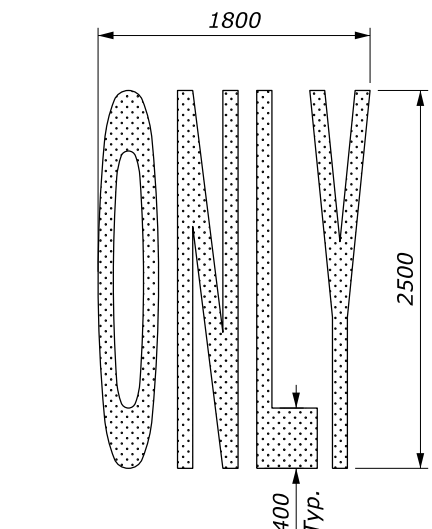
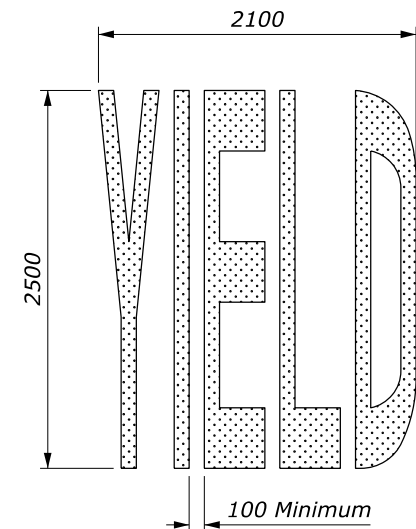
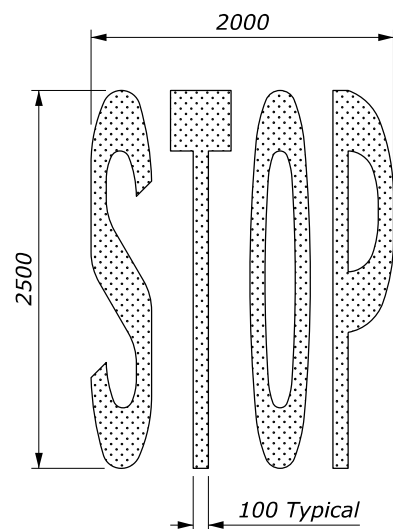


NOTE:

1. Place pavement word and symbol markings in accordance with the "Manual on Uniform Traffic Control Devices" (MUTCD), current edition.
2. All letters, numerals and symbols shall conform with the "Standard Highway Signs", current edition.
3. The Accessibility Parking Space marking only includes the accessibility symbol unless a border is indicated in the Striping Plans.
4. Dimensions without units are millimeters.

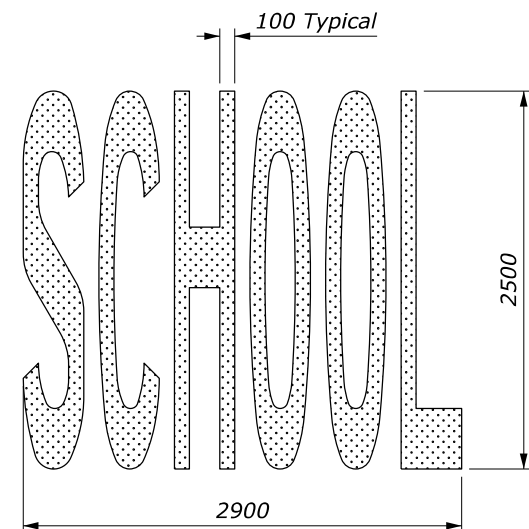
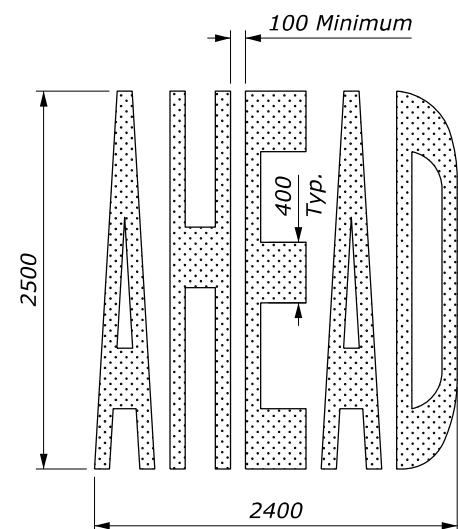
PAVEMENT MARKING AREAS	
TYPE	m ²
Through Lane-Use Arrow	1.1
Turn Lane-Use Arrow	1.5
Turn and Through Lane-Use Arrow	2.5
Yield Ahead Triangle (V < 70 km/h)	2.4
Yield Ahead Triangle (V ≥ 70 km/h)	3.3
Accessibility Marking (symbol only)	0.1
Accessibility Marking w/ border (White)	0.5
Accessibility Marking w/ border (Blue)	0.8
AHEAD Word Marking	2.8
ONLY Word Marking	2.0
SCHOOL Word Marking	3.1
STOP Word Marking	2.0
YIELD Word Marking	2.2



"STOP" WORD MARKING

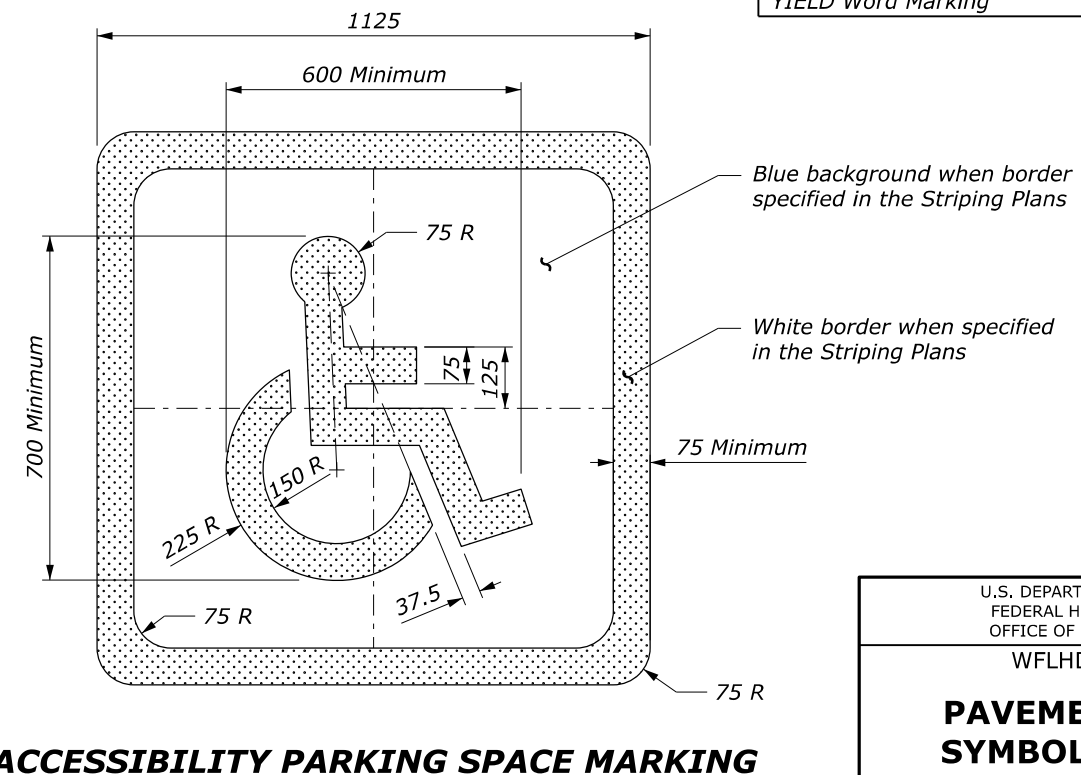
"YIELD" WORD MARKING

"ONLY" WORD MARKING



"AHEAD" WORD MARKING

"SCHOOL" WORD MARKING



Blue background when border specified in the Striping Plans

White border when specified in the Striping Plans

NO SCALE

U.S. DEPARTMENT OF TRANSPORTATION
 FEDERAL HIGHWAY ADMINISTRATION
 OFFICE OF FEDERAL LANDS HIGHWAY

WFLHD METRIC DETAIL

**PAVEMENT MARKINGS
 SYMBOLS AND WORDS**

DETAIL APPROVED FOR USE 12/2000
 REVISED: 3/2003 11/2006 10/2007

DETAIL WM634-1