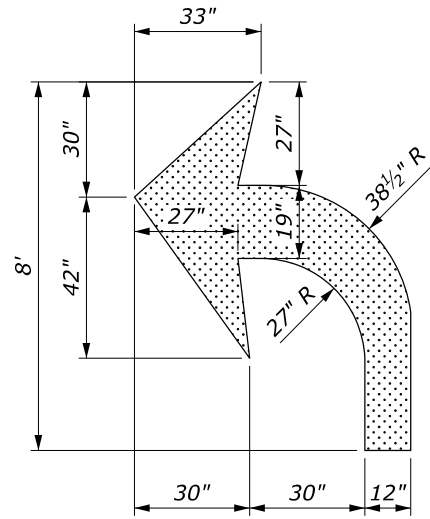
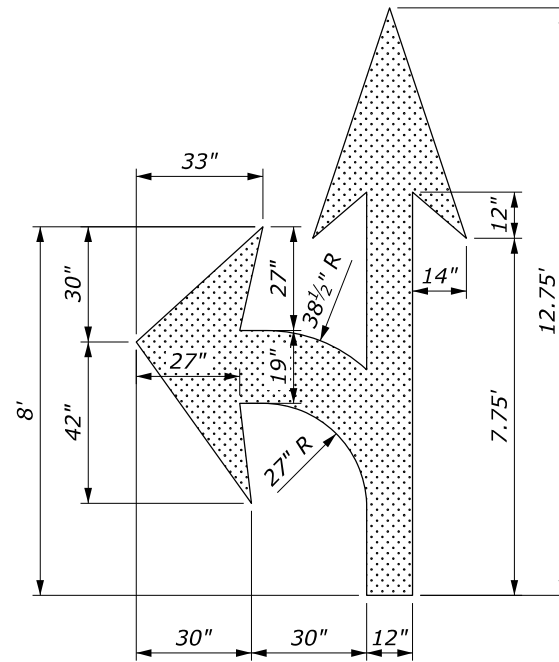


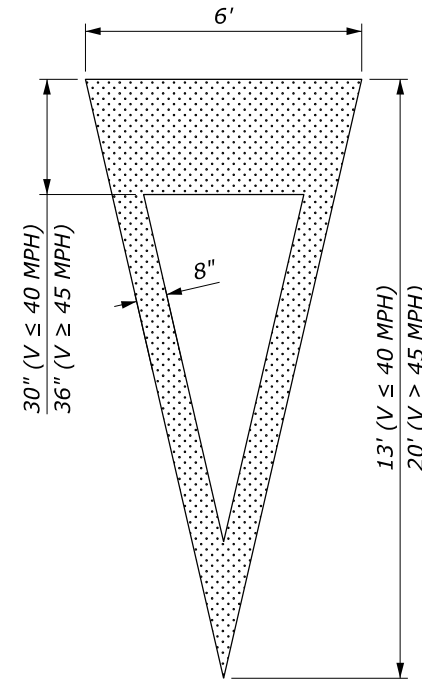
THROUGH LANE-USE ARROW



TURN LANE-USE ARROW



TURN AND THROUGH LANE-USE ARROW

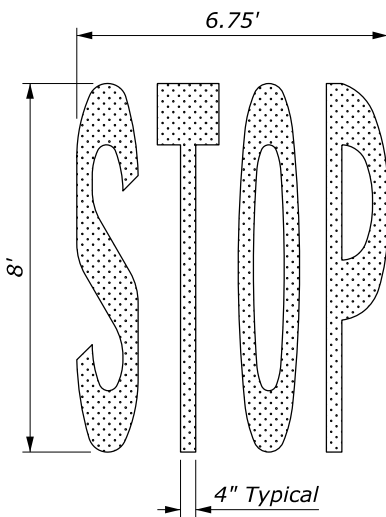


YIELD AHEAD TRIANGLE SYMBOL

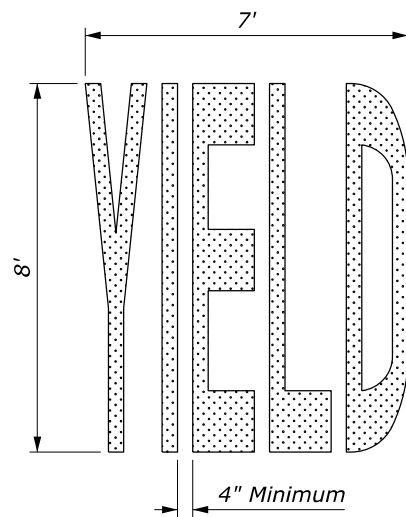
NOTE:

1. Place pavement word and symbol markings in accordance with the "Manual on Uniform Traffic Control Devices" (MUTCD), current edition.
2. All letters, numerals and symbols shall conform with the "Standard Highway Signs", current edition.
3. The Accessibility Parking Space marking only includes the accessibility symbol unless a border is indicated in the Striping Plans.

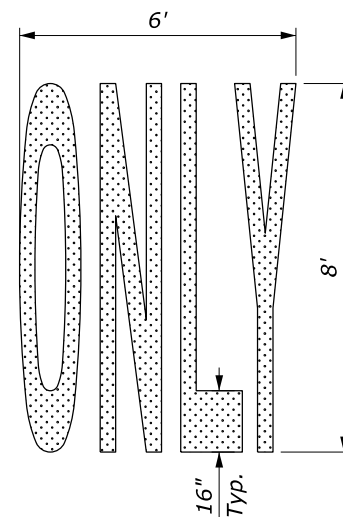
PAVEMENT MARKING AREAS	
TYPE	SQFT
Through Lane-Use Arrow	12
Turn Lane-Use Arrow	16
Turn and Through Lane-Use Arrow	26
Yield Ahead Triangle (V≤40 MPH)	26
Yield Ahead Triangle (V≥45 MPH)	37
Accessibility Marking (symbol only)	2
Accessibility Marking w/ border (White)	5
Accessibility Marking w/ border (Blue)	9
AHEAD Word Marking	30
ONLY Word Marking	21
SCHOOL Word Marking	33
STOP Word Marking	22
YIELD Word Marking	24



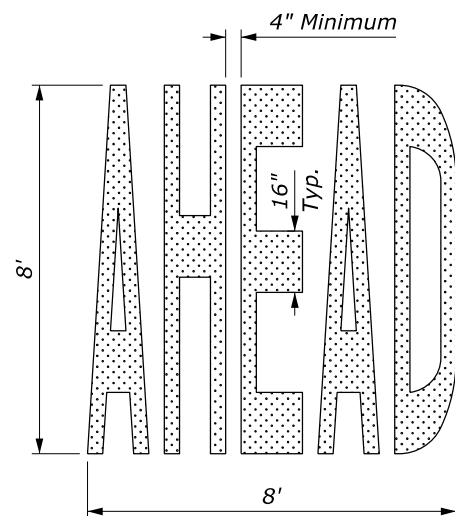
"STOP" WORD MARKING



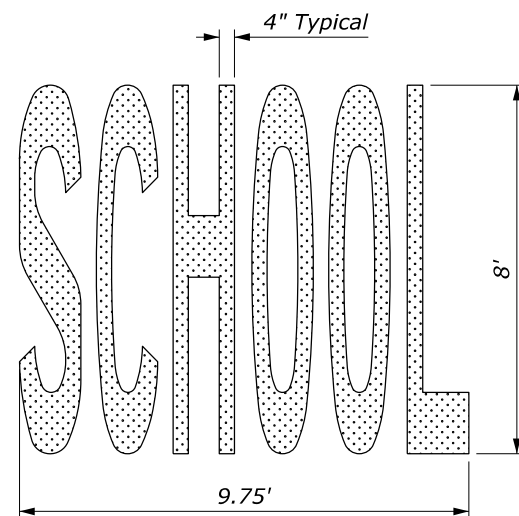
"YIELD" WORD MARKING



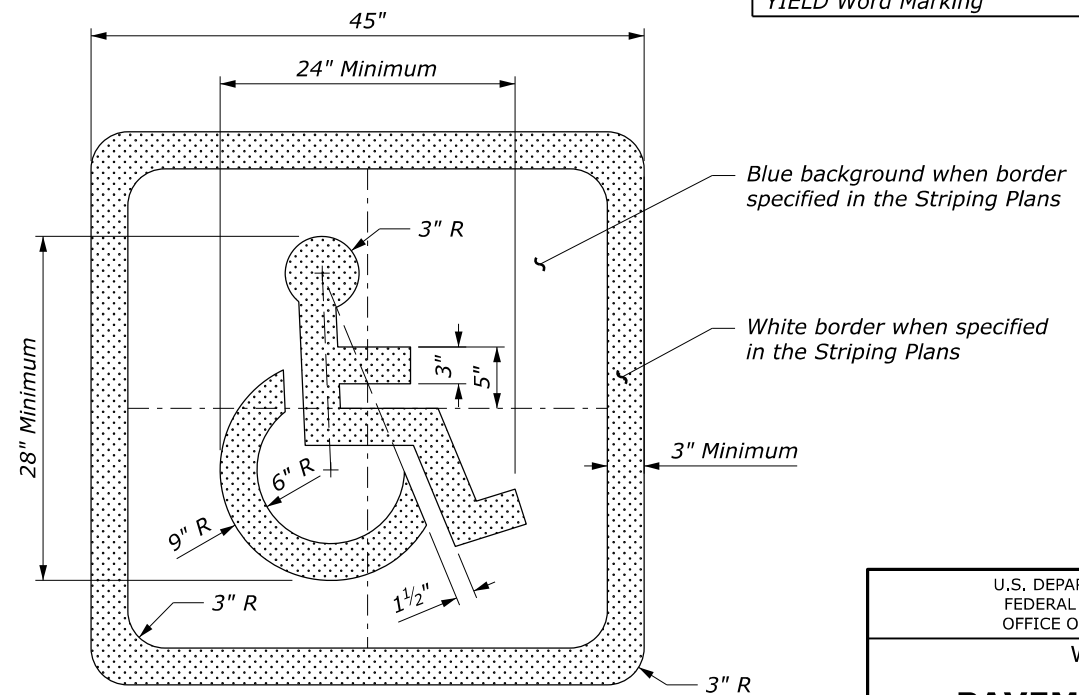
"ONLY" WORD MARKING



"AHEAD" WORD MARKING



"SCHOOL" WORD MARKING



ACCESSIBILITY PARKING SPACE MARKING

Blue background when border specified in the Striping Plans

White border when specified in the Striping Plans

NO SCALE

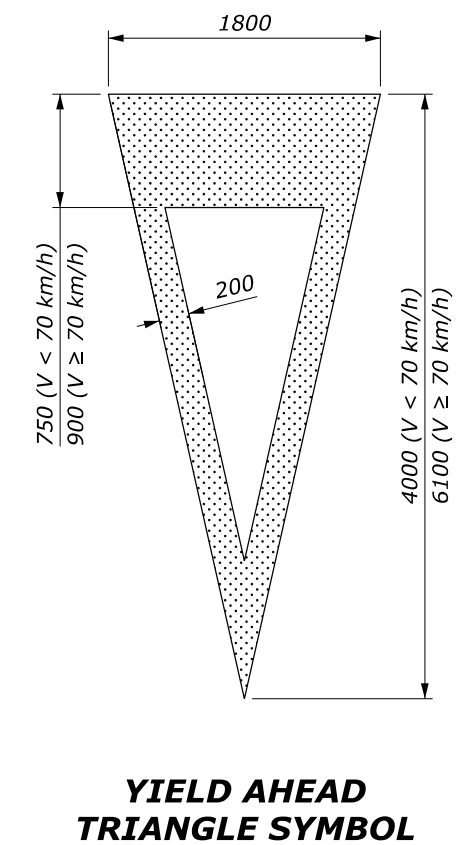
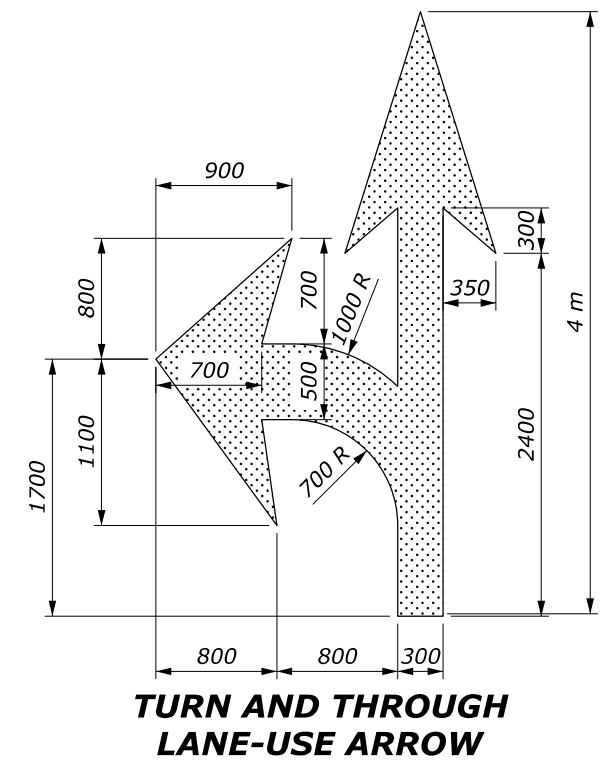
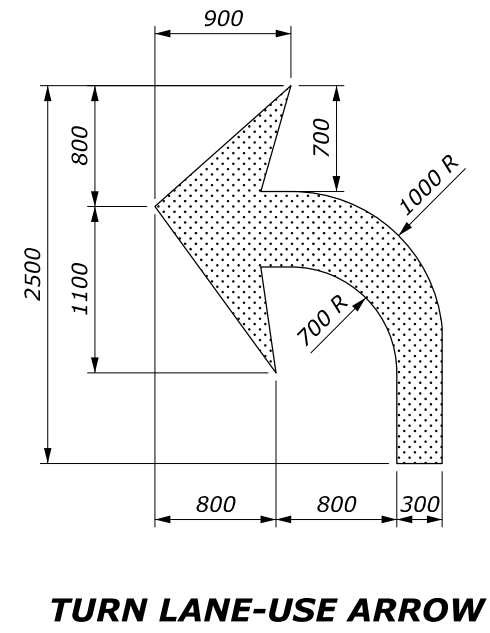
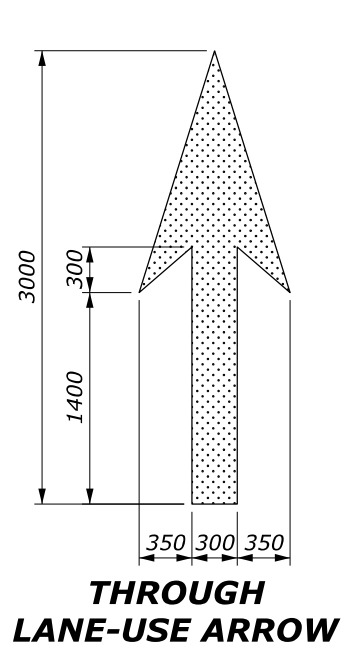
U.S. DEPARTMENT OF TRANSPORTATION
 FEDERAL HIGHWAY ADMINISTRATION
 OFFICE OF FEDERAL LANDS HIGHWAY

WFLHD DETAIL

**PAVEMENT MARKINGS
 SYMBOLS AND WORDS**

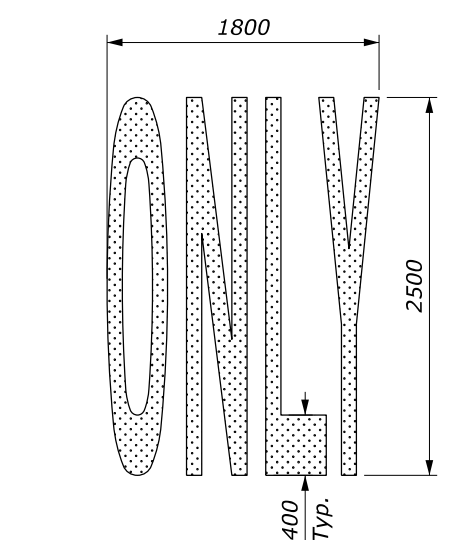
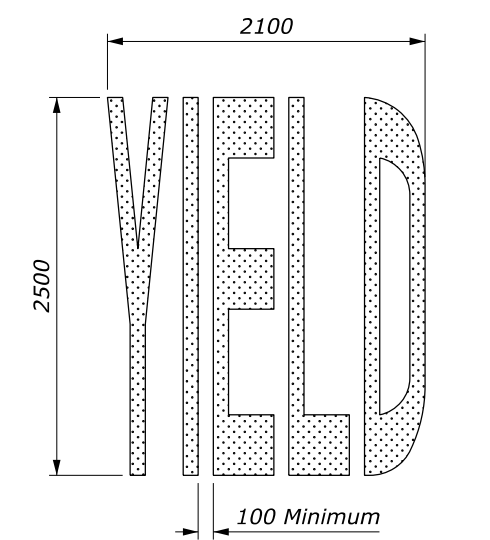
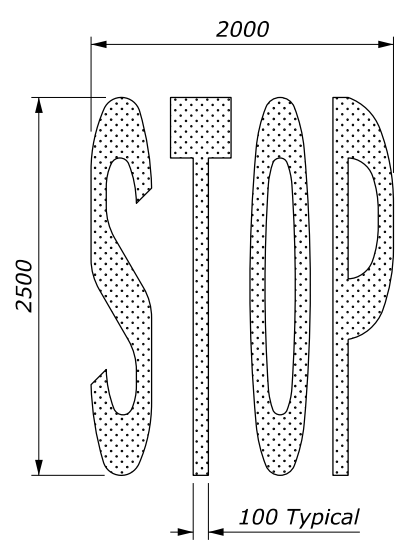
DETAIL APPROVED FOR USE 3/2003
 REVISD: 11/2006 10/2007

DETAIL
 W634-1

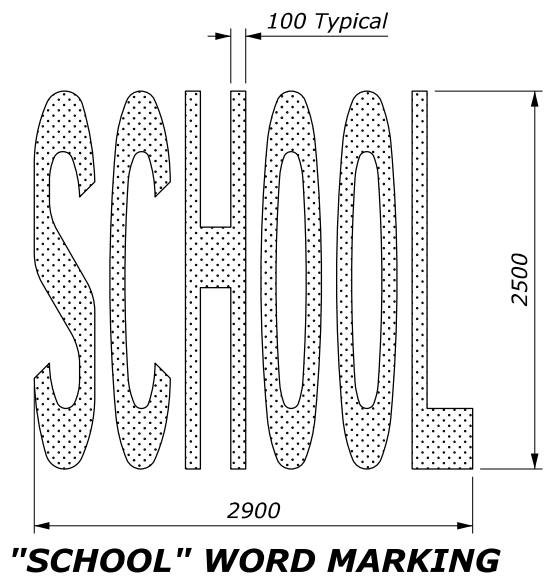
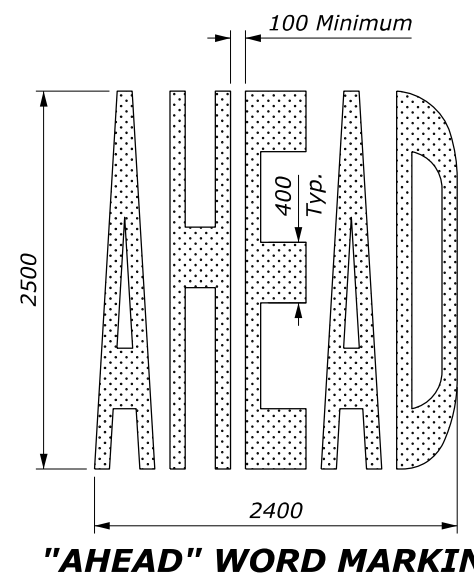


- NOTE:**
1. Place pavement word and symbol markings in accordance with the "Manual on Uniform Traffic Control Devices" (MUTCD), current edition.
 2. All letters, numerals and symbols shall conform with the "Standard Highway Signs", current edition.
 3. The Accessibility Parking Space marking only includes the accessibility symbol unless a border is indicated in the Striping Plans.
 4. Dimensions without units are millimeters.

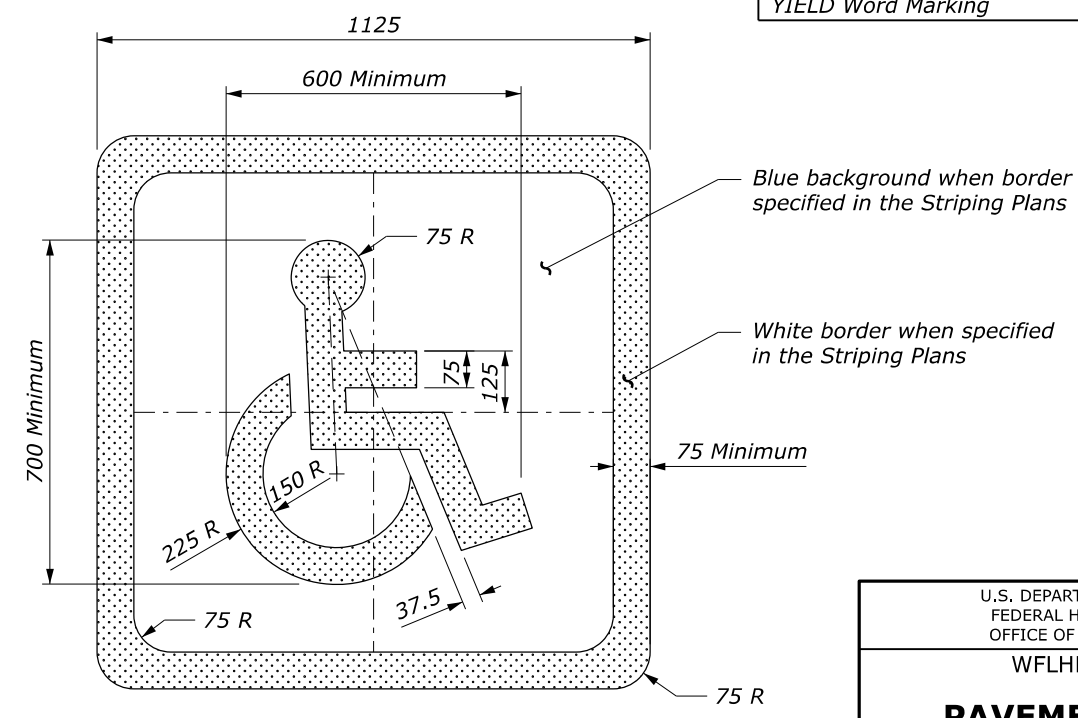
PAVEMENT MARKING AREAS	
TYPE	m ²
Through Lane-Use Arrow	1.1
Turn Lane-Use Arrow	1.5
Turn and Through Lane-Use Arrow	2.5
Yield Ahead Triangle (V < 70 km/h)	2.4
Yield Ahead Triangle (V ≥ 70 km/h)	3.3
Accessibility Marking (symbol only)	0.1
Accessibility Marking w/ border (White)	0.5
Accessibility Marking w/ border (Blue)	0.8
AHEAD Word Marking	2.8
ONLY Word Marking	2.0
SCHOOL Word Marking	3.1
STOP Word Marking	2.0
YIELD Word Marking	2.2



"STOP" WORD MARKING "YIELD" WORD MARKING "ONLY" WORD MARKING



"AHEAD" WORD MARKING "SCHOOL" WORD MARKING



ACCESSIBILITY PARKING SPACE MARKING

U.S. DEPARTMENT OF TRANSPORTATION
 FEDERAL HIGHWAY ADMINISTRATION
 OFFICE OF FEDERAL LANDS HIGHWAY

WFLHD METRIC DETAIL

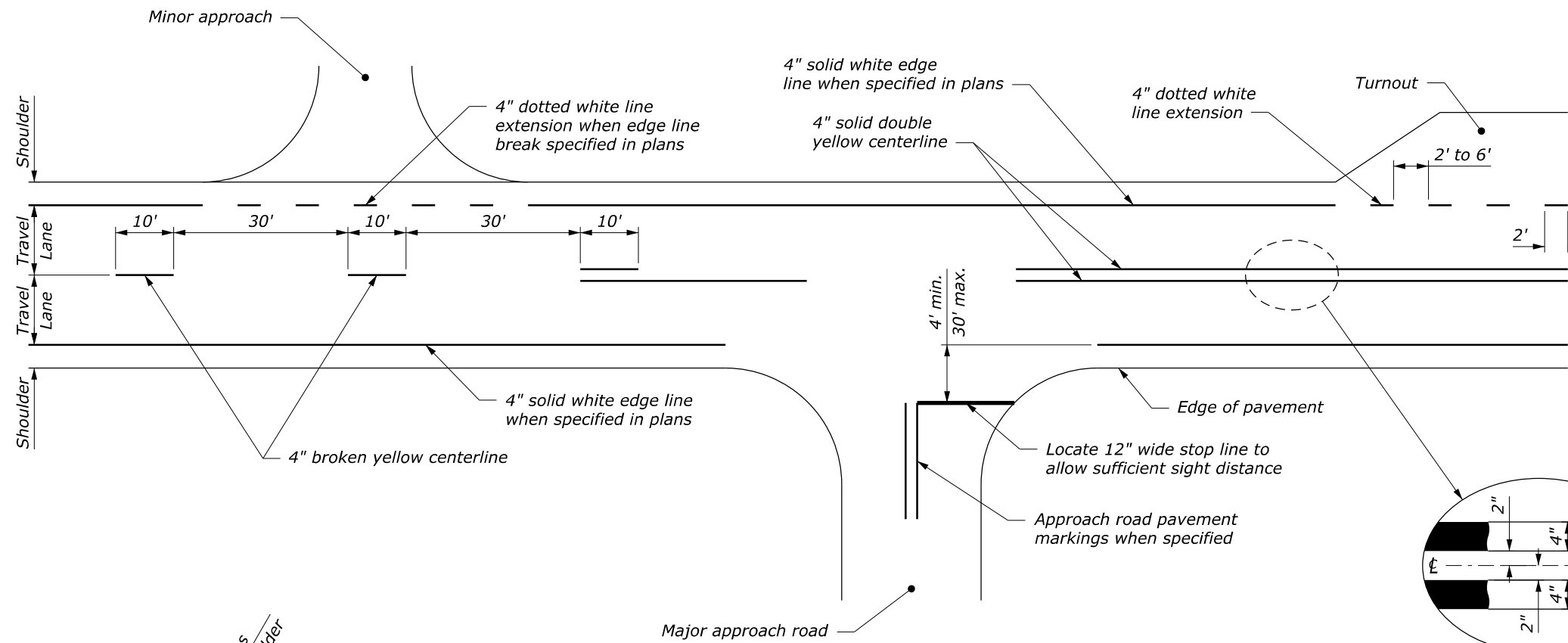
**PAVEMENT MARKINGS
 SYMBOLS AND WORDS**

DETAIL APPROVED FOR USE 12/2000
 REVISED: 3/2003 11/2006 10/2007

NO SCALE

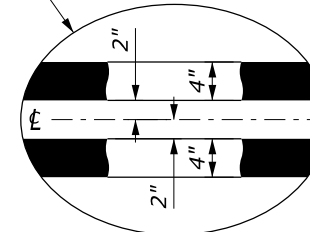
DETAIL WM634-1

c:\pave-work\dms43392\W634-1.dgn [Det.WM634-1] 21 February 2023 3:24 PM



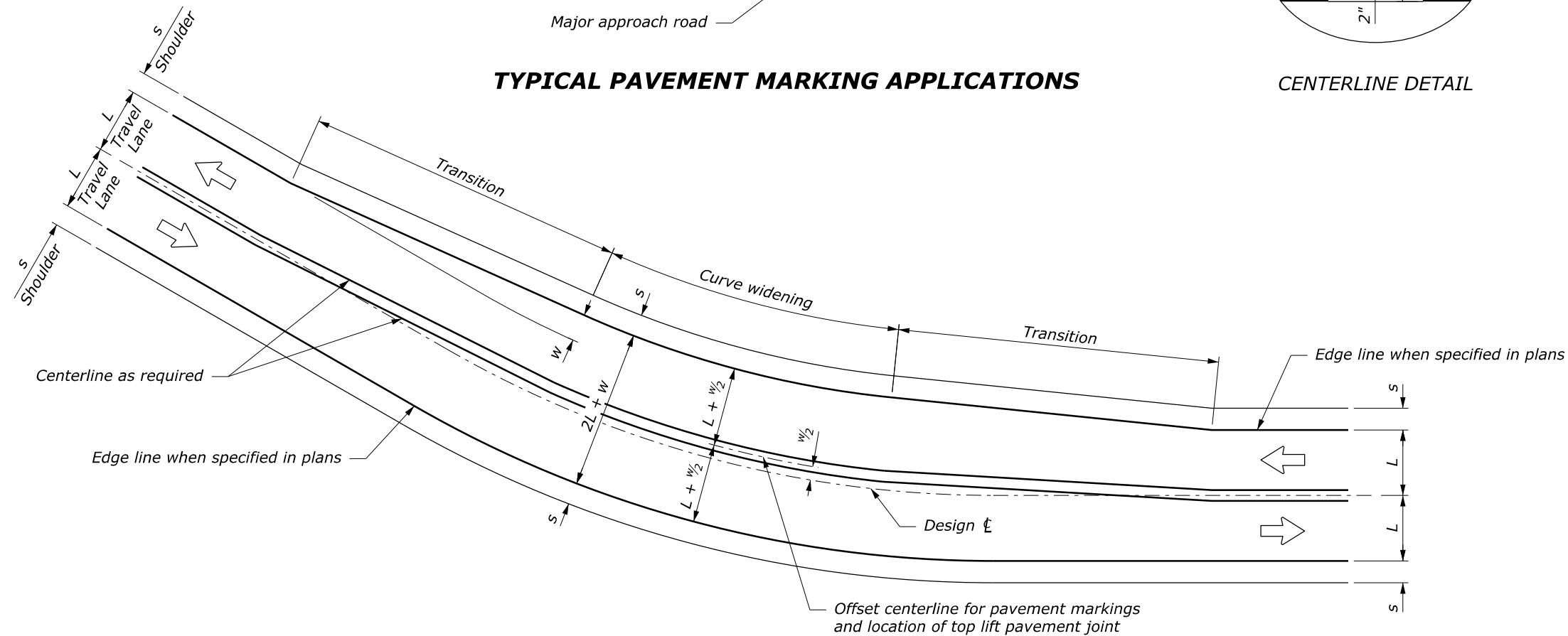
NOTE:

1. Place edge line pavement markings at asphalt/concrete curb interface when curb is present.
2. Paint centerline pavement markings on curves with curve widening "w" to achieve equal lane widths within the roadway. Maintain a constant shoulder width "s" throughout the curve widening area. See staking details for curve widening transition locations.
3. Typical pavement marking widths are shown. Use wider pavement markings when specified on the plans or when required by the maintaining agency.



CENTERLINE DETAIL

TYPICAL PAVEMENT MARKING APPLICATIONS



CENTERLINE MODIFICATION FOR CURVES WITH WIDENING APPLIED ON INSIDE

See Note 2 for treatment of curves when widening "w" is split equally on both sides of centerline

NO SCALE

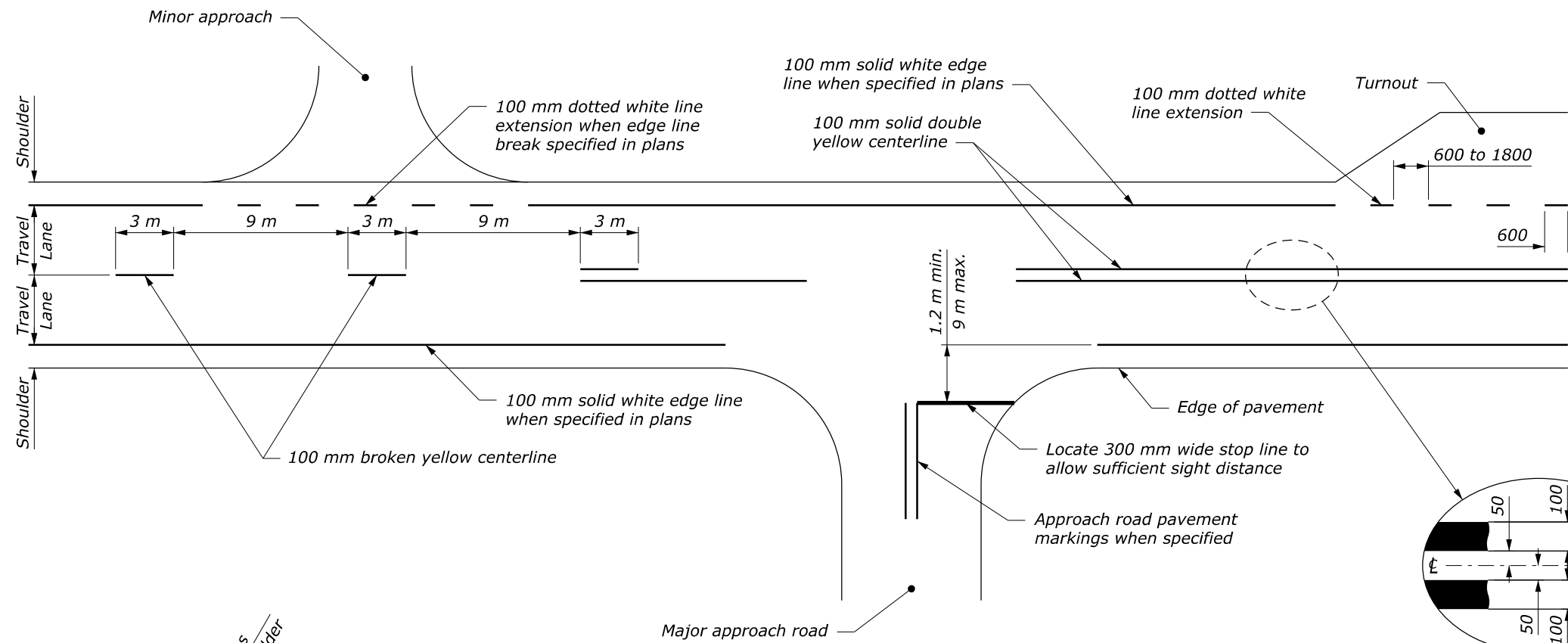
U.S. DEPARTMENT OF TRANSPORTATION
FEDERAL HIGHWAY ADMINISTRATION
OFFICE OF FEDERAL LANDS HIGHWAY

WFLHD DETAIL

**LINEAR
PAVEMENT MARKINGS**

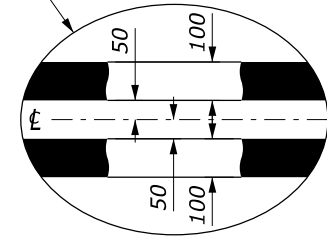
DETAIL APPROVED FOR USE 10/2007
REVISED: 10/2012

DETAIL
W634-2



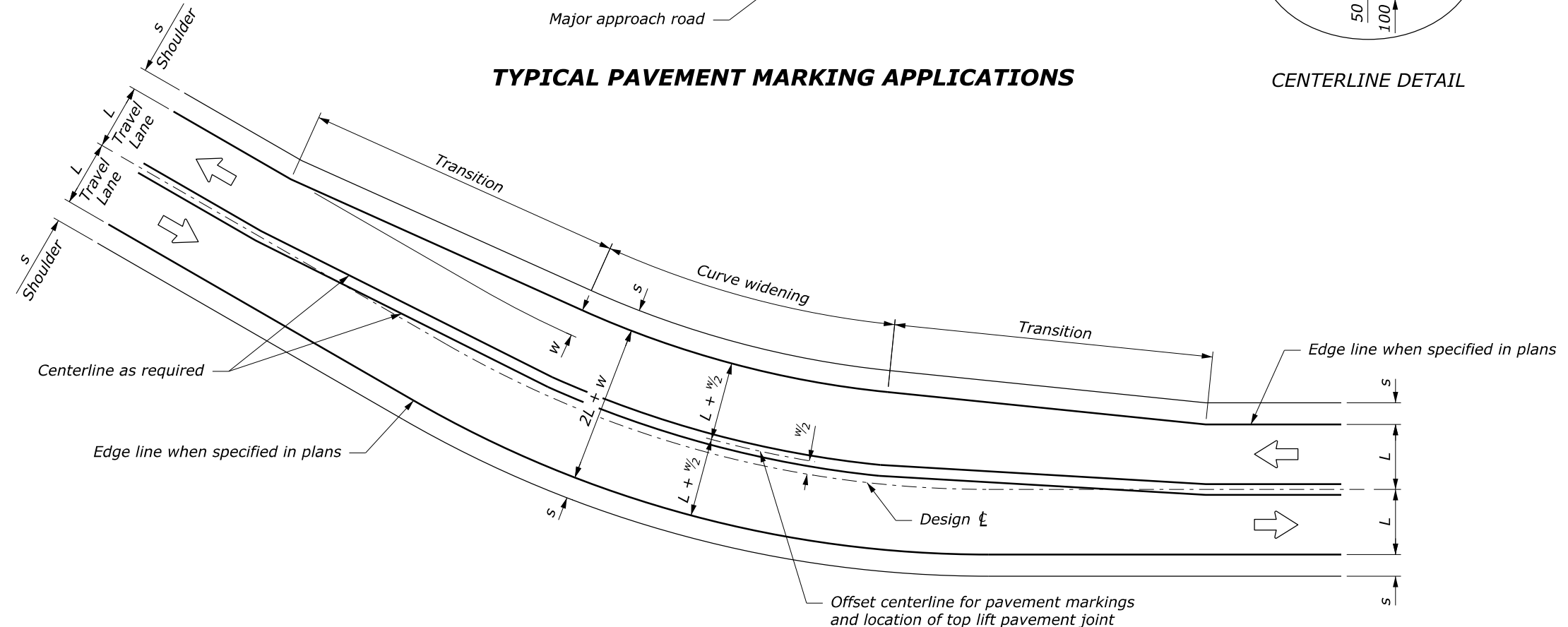
NOTE:

1. Place edge line pavement markings at asphalt/concrete curb interface when curb is present.
2. Paint centerline pavement markings on curves with curve widening "w" to achieve equal lane widths within the roadway. Maintain a constant shoulder width "s" throughout the curve widening area. See staking details for curve widening transition locations.
3. Typical pavement marking widths are shown. Use wider pavement markings when specified on the plans or when required by the maintaining agency.
4. Dimensions without units are millimeters



CENTERLINE DETAIL

TYPICAL PAVEMENT MARKING APPLICATIONS



CENTERLINE MODIFICATION FOR CURVES WITH WIDENING APPLIED ON INSIDE

See Note 2 for treatment of curves when widening "w" is split equally on both sides of centerline

NO SCALE

U.S. DEPARTMENT OF TRANSPORTATION FEDERAL HIGHWAY ADMINISTRATION OFFICE OF FEDERAL LANDS HIGHWAY	
WFLHD METRIC DETAIL	
LINEAR PAVEMENT MARKINGS	
DETAIL APPROVED FOR USE 10/2007 REVISED: 10/2012	DETAIL WM634-2