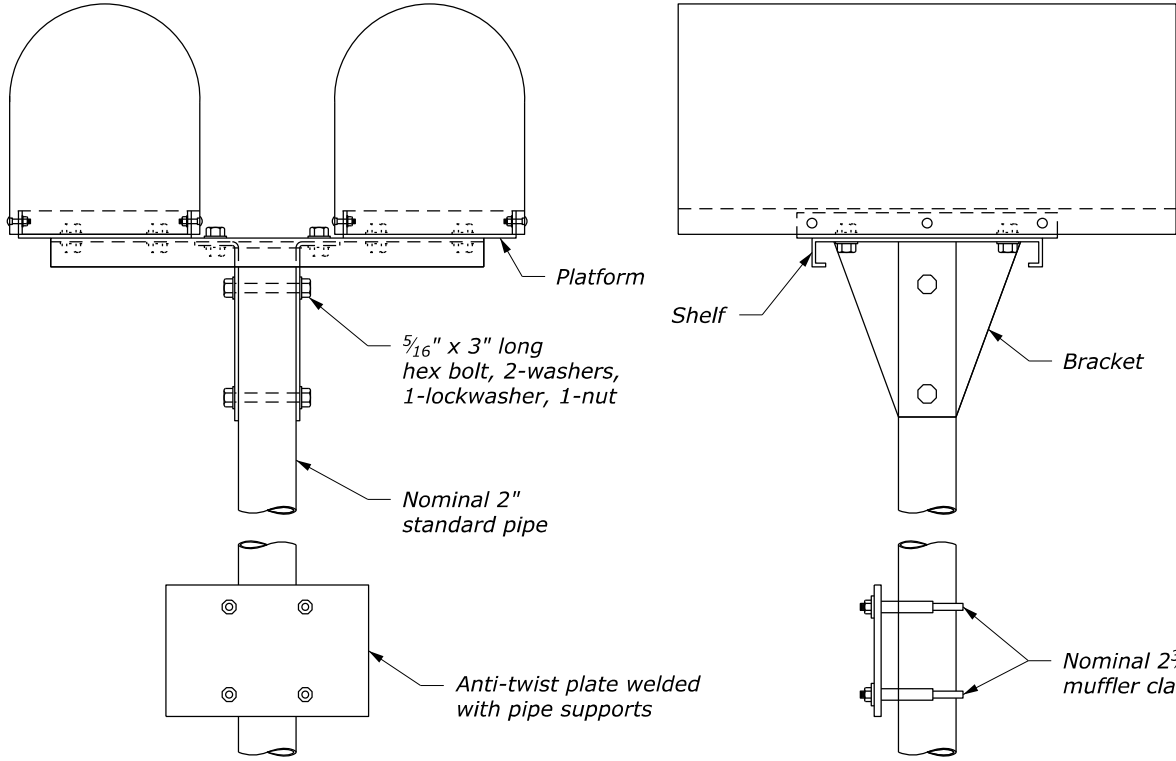
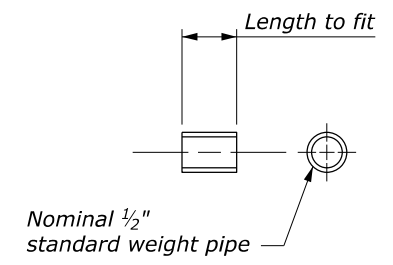


SINGLE MAILBOX INSTALLATION

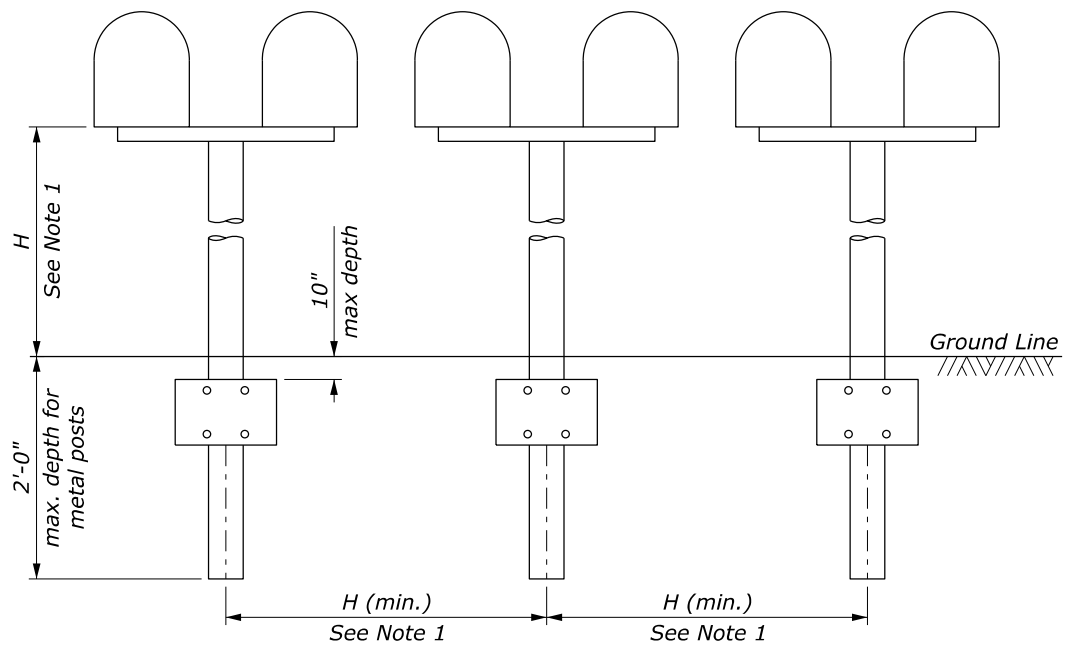


DOUBLE MAILBOX INSTALLATION

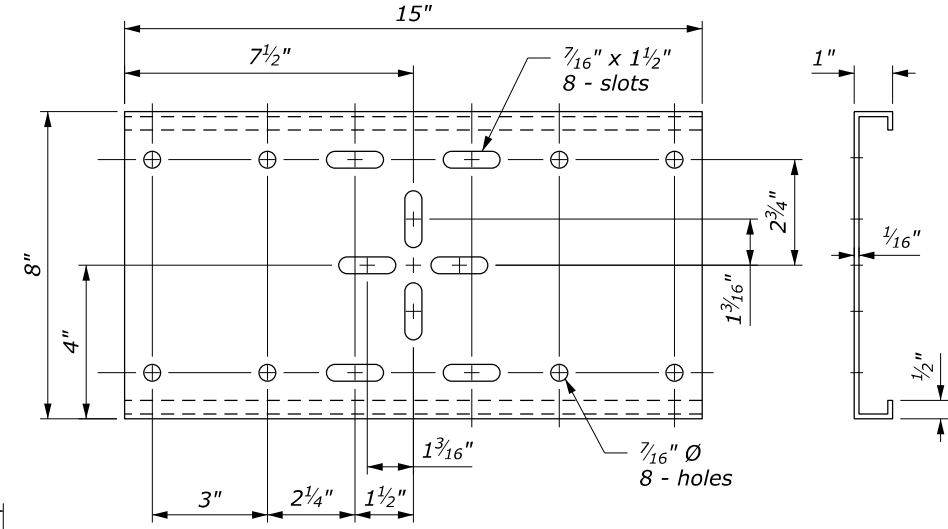
NOTE:
 1. Spacing between multiple mailboxes and height of mailbox above ground level are as established by the the U.S. Postal Service. H is usually 3'-4" to 4'-0".



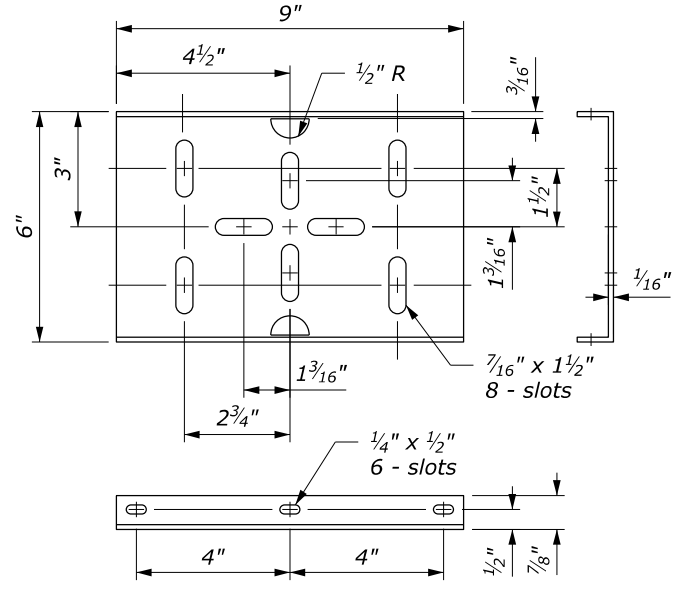
SPACER



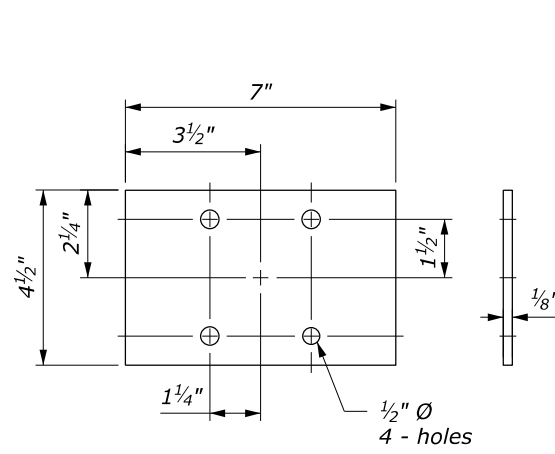
SPACING FOR MULTIPLE INSTALLATION



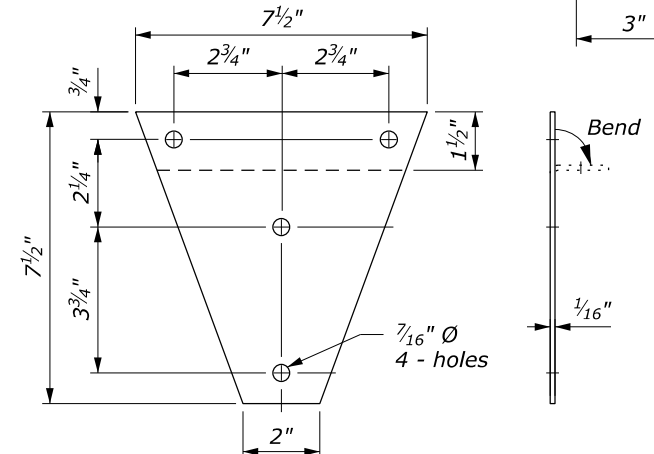
SHELF



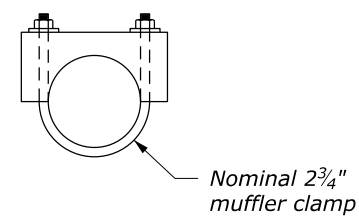
PLATFORM



ANTI-TWIST PLATE



BRACKET



CLAMP

NO SCALE

U.S. DEPARTMENT OF TRANSPORTATION FEDERAL HIGHWAY ADMINISTRATION OFFICE OF FEDERAL LANDS HIGHWAY	
WFLHD DETAIL	
MAILBOX ASSEMBLY SERIES A	
DETAIL APPROVED FOR USE 11/2014	DETAIL
REVISED:	W646-2

c:\pwwork\0413405\W646-2.dgn [Det W646-2] 22 February 2023 6:18 AM