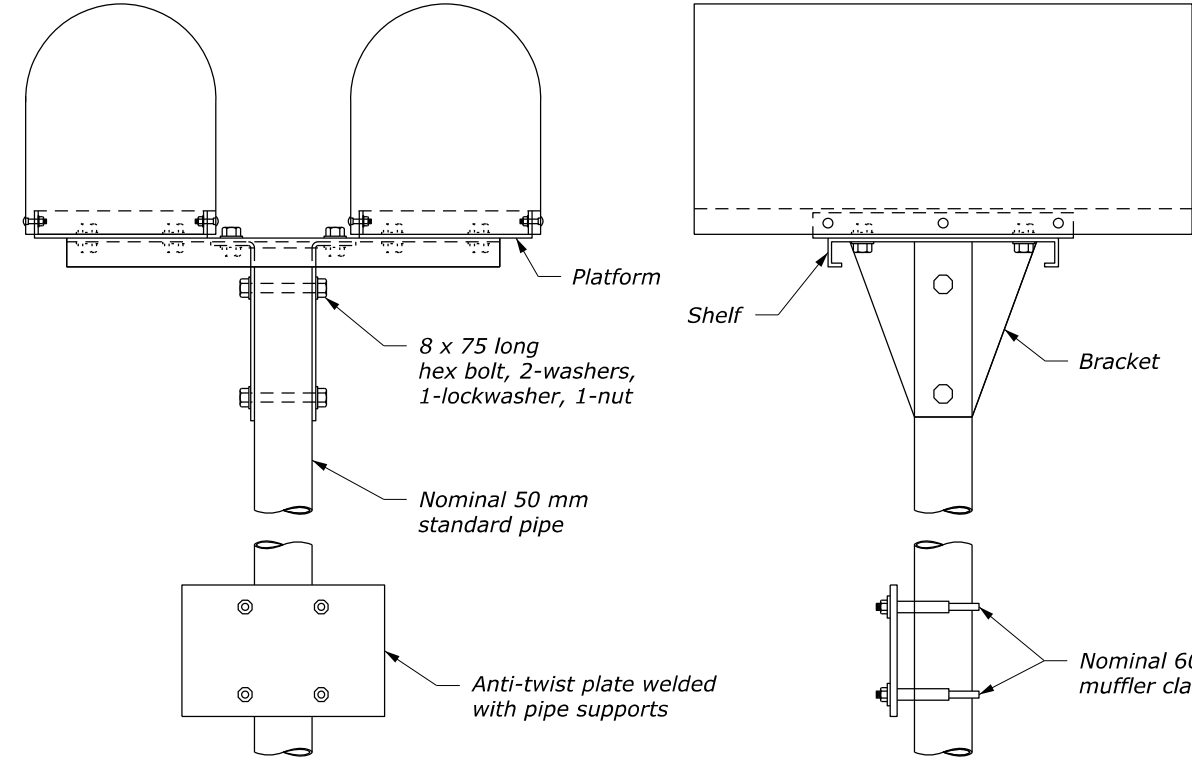


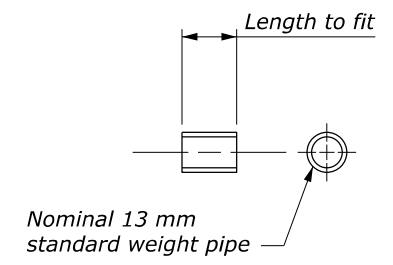
SINGLE MAILBOX INSTALLATION



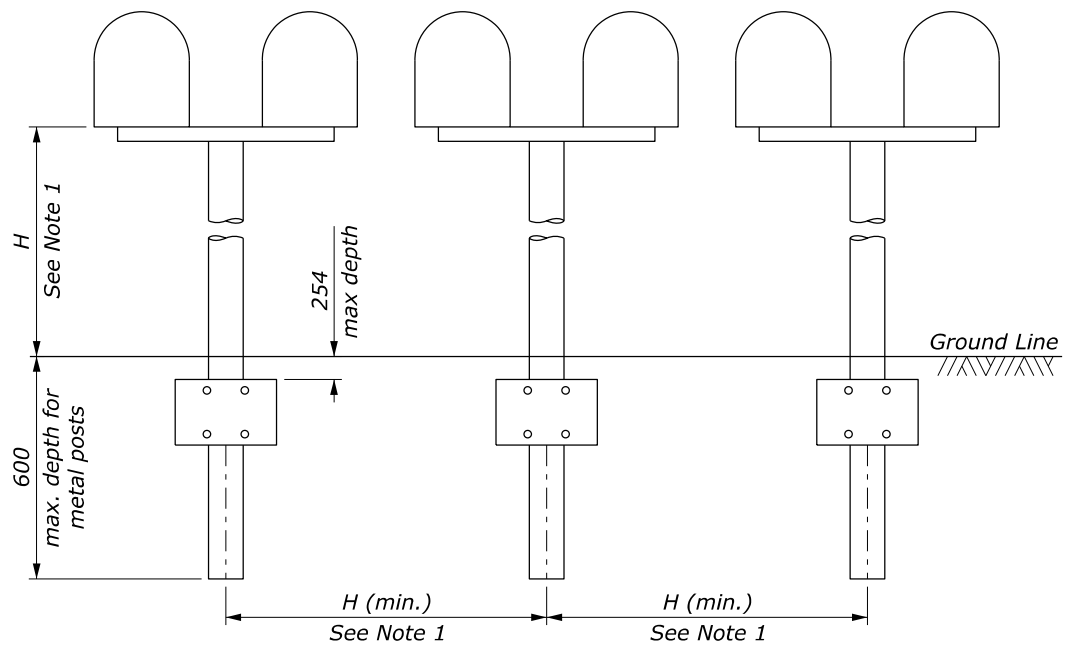
DOUBLE MAILBOX INSTALLATION

NOTE:

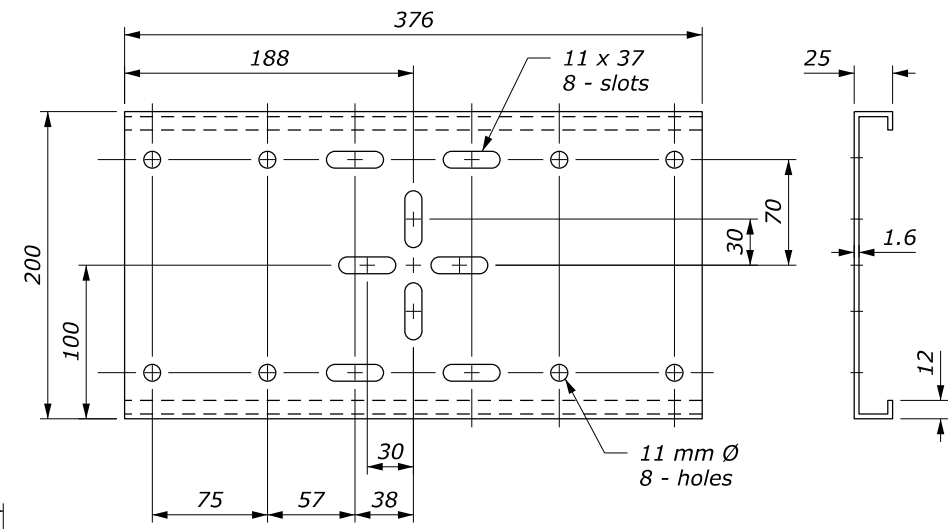
1. Spacing between multiple mailboxes and height of mailbox above ground level are as established by the the U.S. Postal Service. H is usually 1.0 m to 1.2 m.
2. Dimensions without units are millimeters.



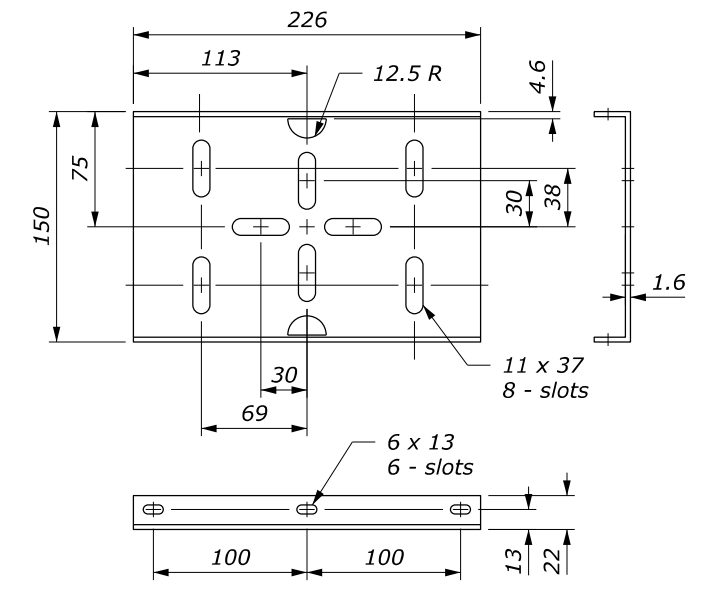
SPACER



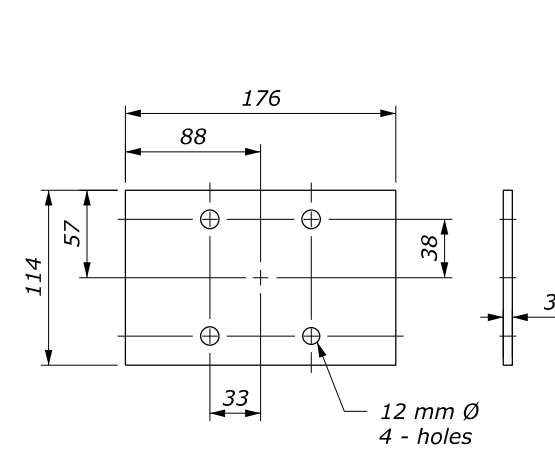
SPACING FOR MULTIPLE INSTALLATION



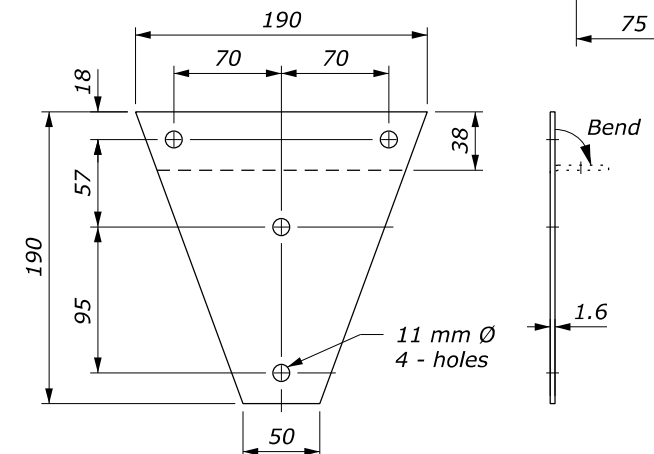
SHELF



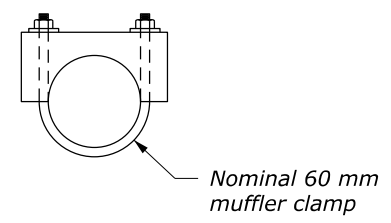
PLATFORM



ANTI-TWIST PLATE



BRACKET



CLAMP

NO SCALE

U.S. DEPARTMENT OF TRANSPORTATION FEDERAL HIGHWAY ADMINISTRATION OFFICE OF FEDERAL LANDS HIGHWAY	
WFLHD METRIC DETAIL	
MAILBOX ASSEMBLY SERIES A	
DETAIL APPROVED FOR USE 11/2014	DETAIL
REVISED:	WM646-2