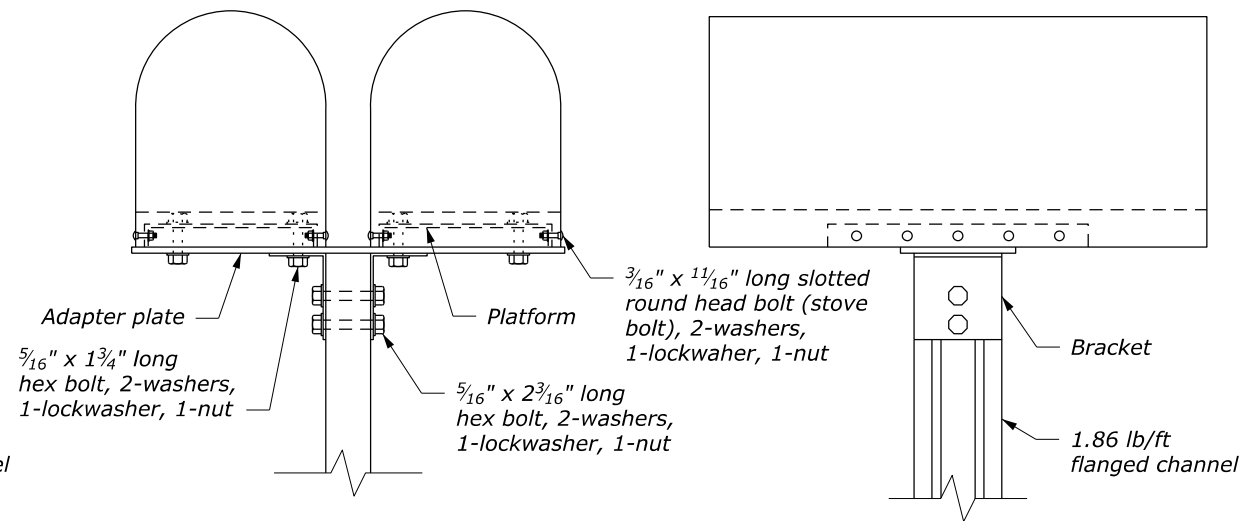


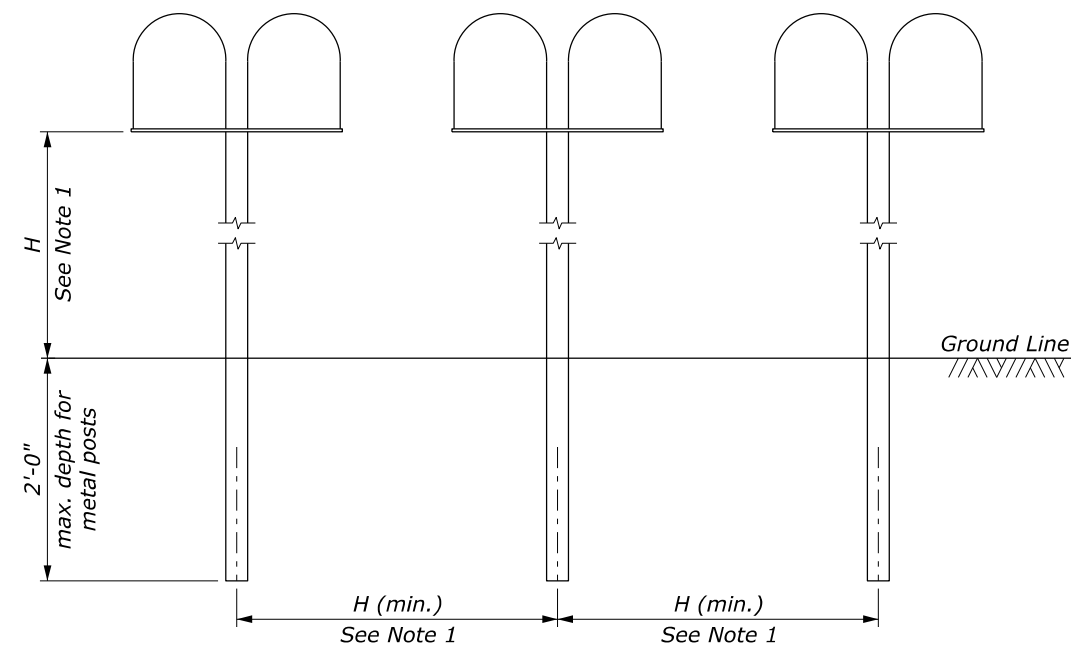
**SINGLE MAILBOX INSTALLATION**



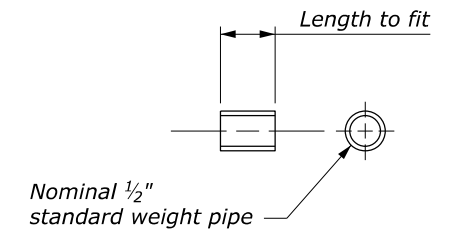
**DOUBLE MAILBOX INSTALLATION**

**NOTE:**

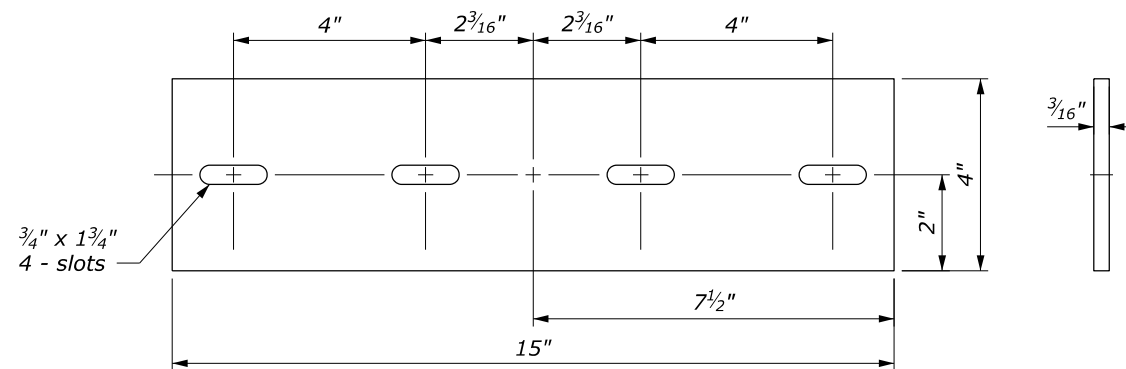
1. Spacing between multiple mailboxes and height of mailbox above ground level are as established by the U.S. Postal Service. H is usually 3'-4" to 4'-0".



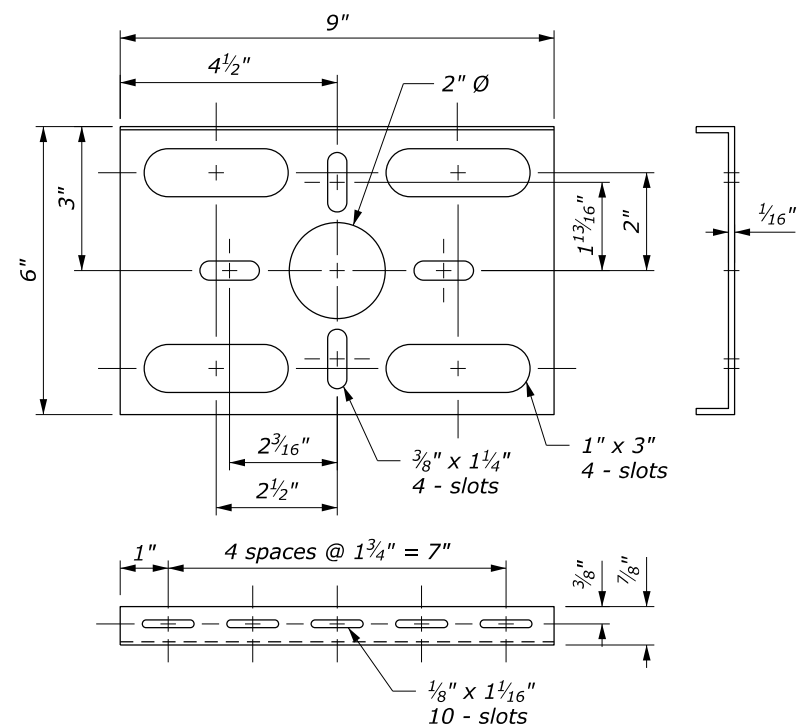
**SPACING FOR MULTIPLE INSTALLATION**



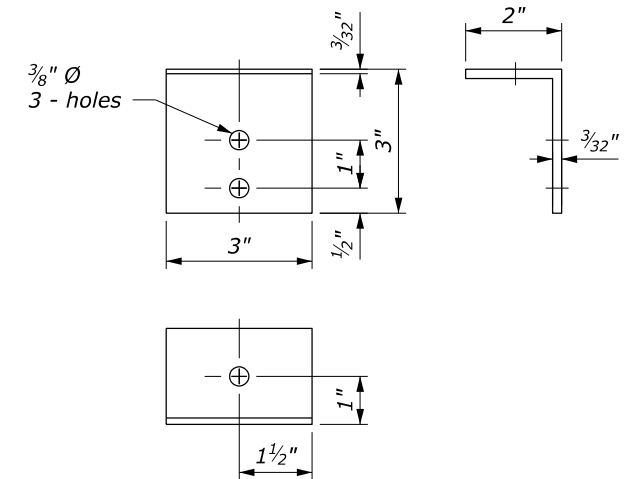
**SPACER**



**ADAPTER PLATE**



**PLATFORM**



**BRACKET**

NO SCALE

U.S. DEPARTMENT OF TRANSPORTATION FEDERAL HIGHWAY ADMINISTRATION OFFICE OF FEDERAL LANDS HIGHWAY	
WFLHD DETAIL	
<b>MAILBOX ASSEMBLY SERIES B</b>	
DETAIL APPROVED FOR USE 11/2014	DETAIL
REVISED:	W646-3