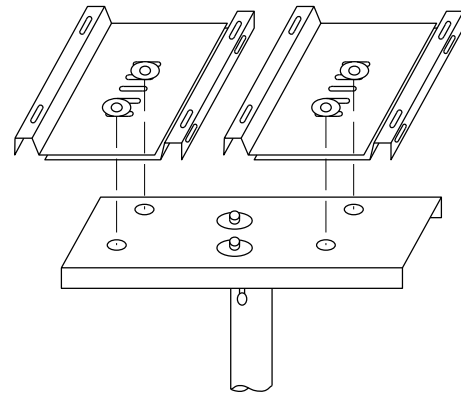
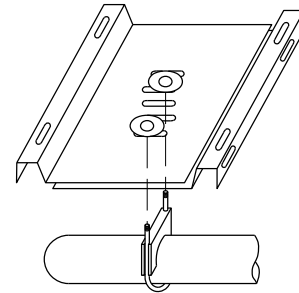


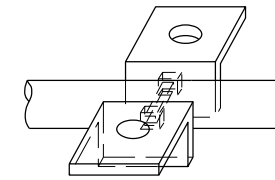
SINGLE MAILBOX MOUNT



DOUBLE MAILBOX MOUNT



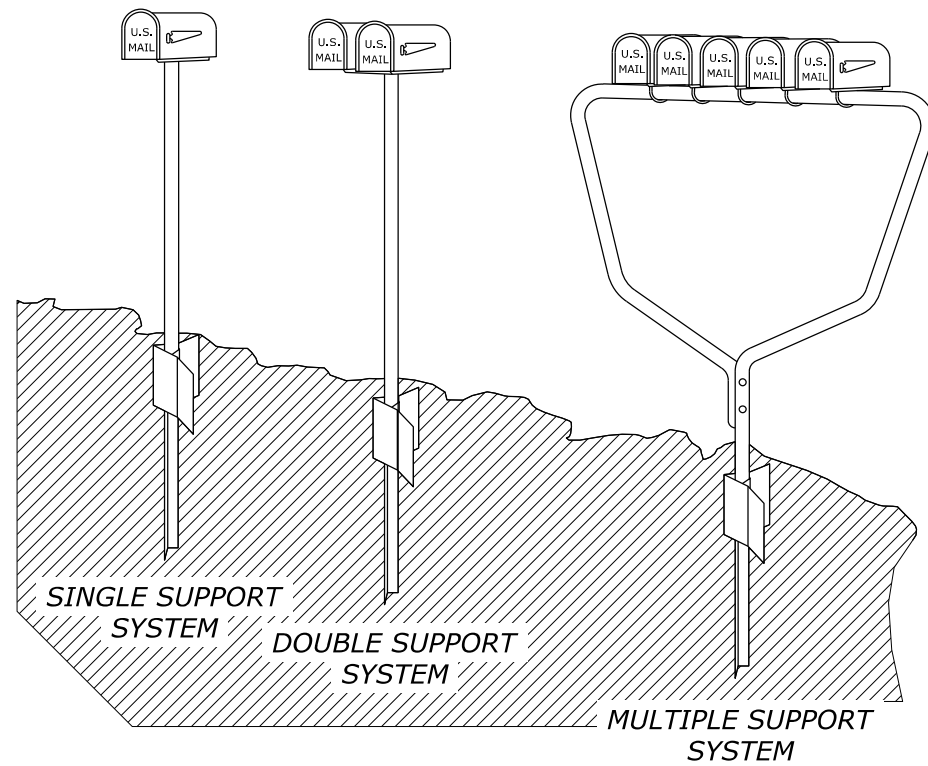
MULTIPLE MAILBOX MOUNT



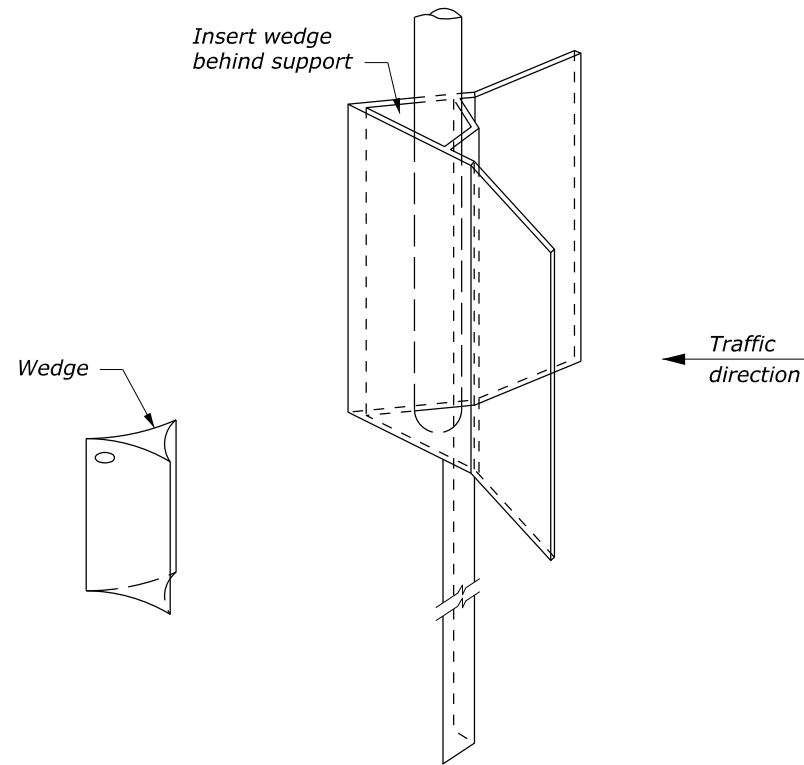
BRACKET MOUNT ALTERNATIVE

NOTE:

1. Opposite orientation with wedge on traffic approach side of post is allowable but not preferred.
2. Support frame and foundation are proprietary products commercially available.



MAILBOX SUPPORT SYSTEM



SUPPORT FRAME

NO SCALE

U.S. DEPARTMENT OF TRANSPORTATION FEDERAL HIGHWAY ADMINISTRATION OFFICE OF FEDERAL LANDS HIGHWAY	
WFLHD DETAIL	
MAILBOX ASSEMBLY SERIES C	
DETAIL APPROVED FOR USE 11/2014 REVISED:	DETAIL W646-4