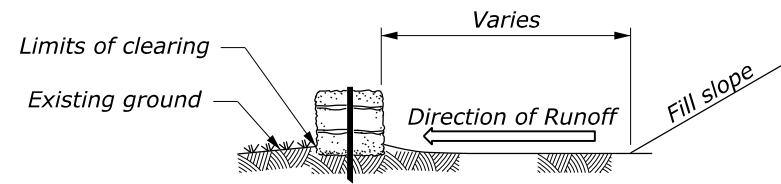
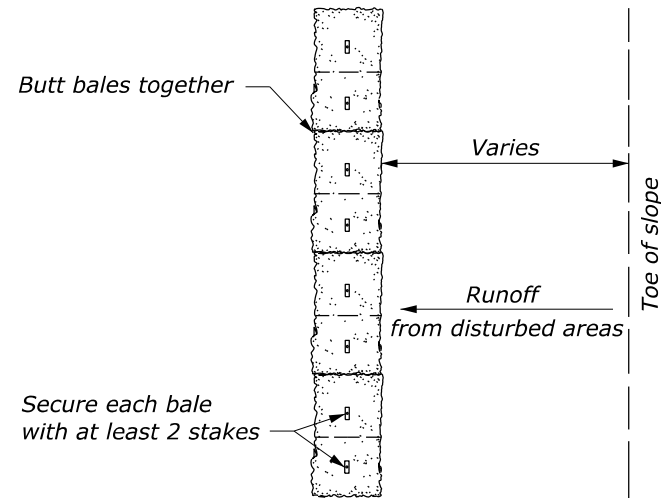


**NOTE:**

1. Use straw bales in drainage ditches only for low flow conditions and when specified on the Erosion Control Plans.

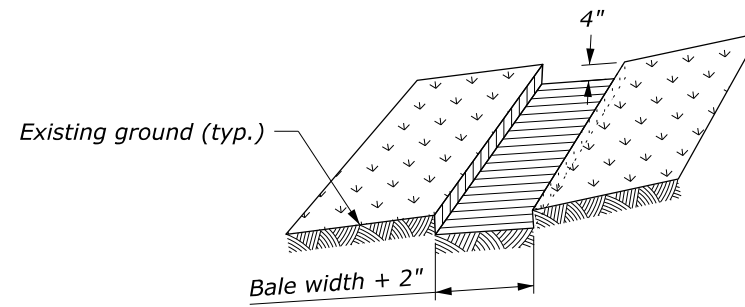


ELEVATION

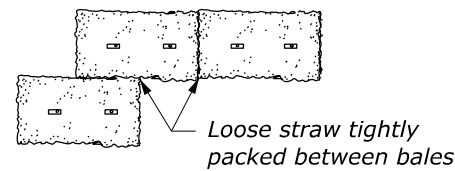


PLAN

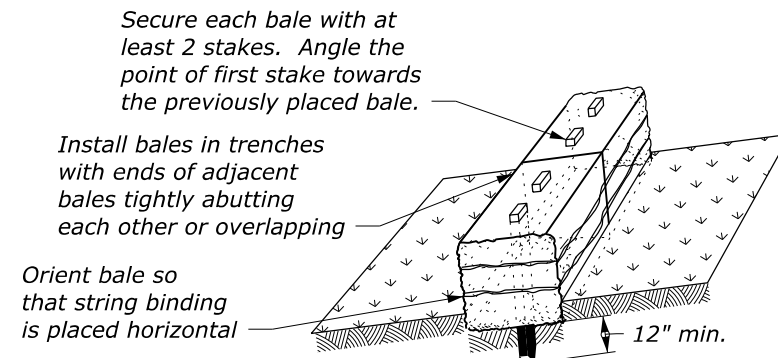
**INSTALLATION OF A STRAW BALE BARRIER AT TOE OF FILL**



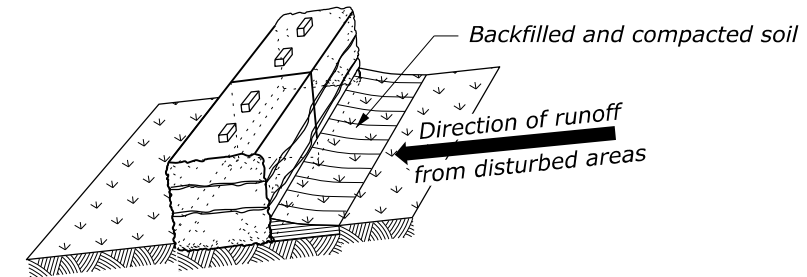
Step 1: Excavate trench



Step 3: Tightly pack straw between bales (plan view of bales)

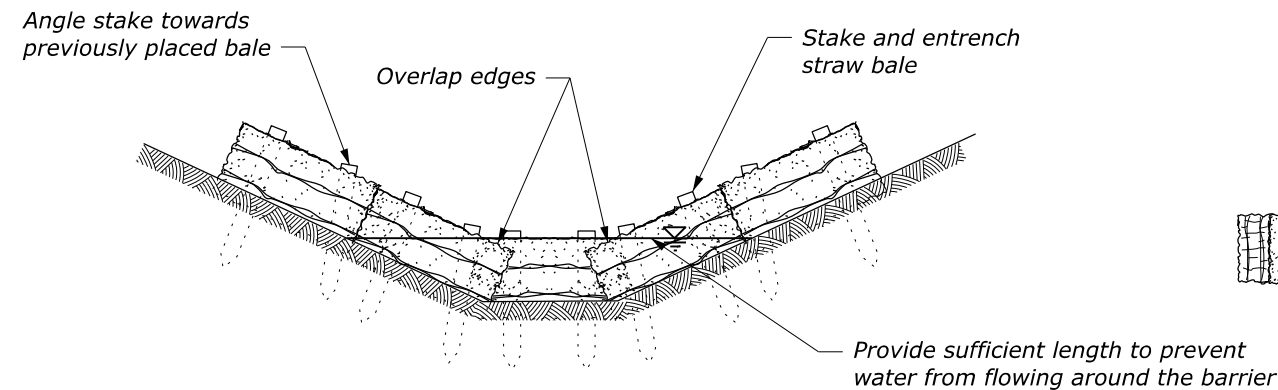


Step 2: Install bales

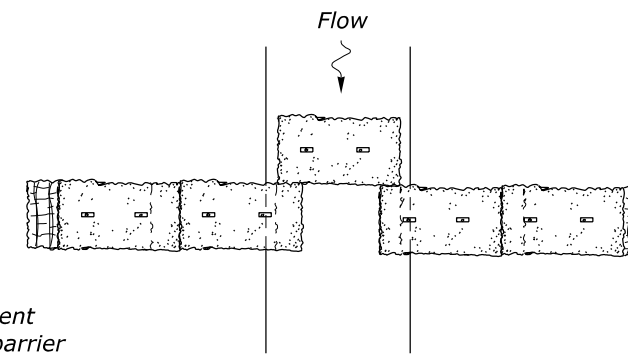


Step 4: Backfill soil against bales

**PROPERLY STAKED AND ENTRENCHED STRAW BALES**



ELEVATION



PLAN

**INSTALLATION OF A STRAW BALE BARRIER IN DITCH**

See Note 1

NO SCALE

U.S. DEPARTMENT OF TRANSPORTATION  
FEDERAL HIGHWAY ADMINISTRATION  
OFFICE OF FEDERAL LANDS HIGHWAY

FLH STANDARD

**STRAW BALES**

STANDARD APPROVED FOR USE 6/2005  
REVISED: 6/2007

STANDARD  
157-3