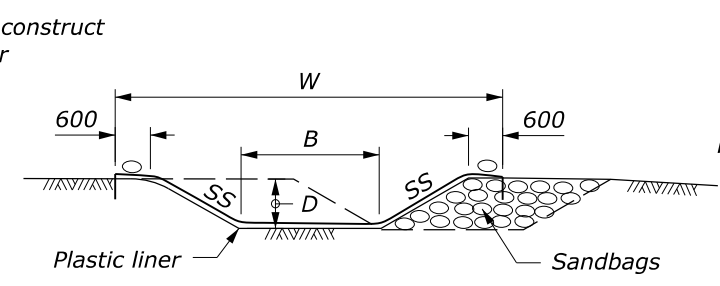
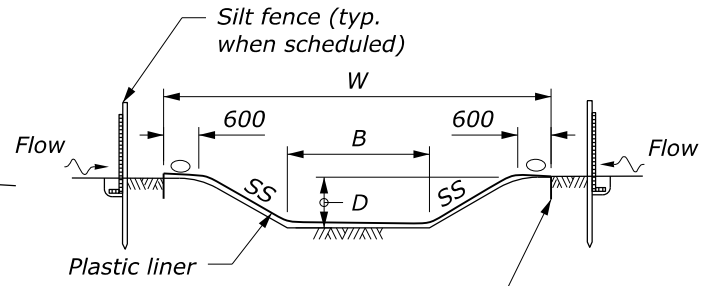


DIVERSION CHANNEL

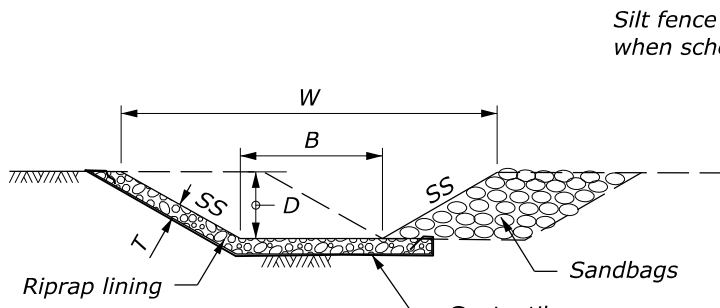


SECTION A-A

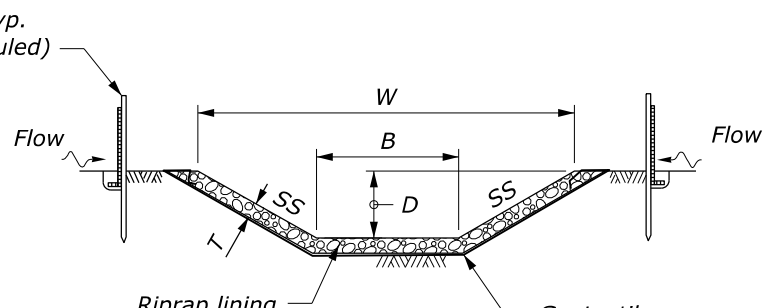


SECTION B-B

PLASTIC LINED DIVERSION CHANNEL

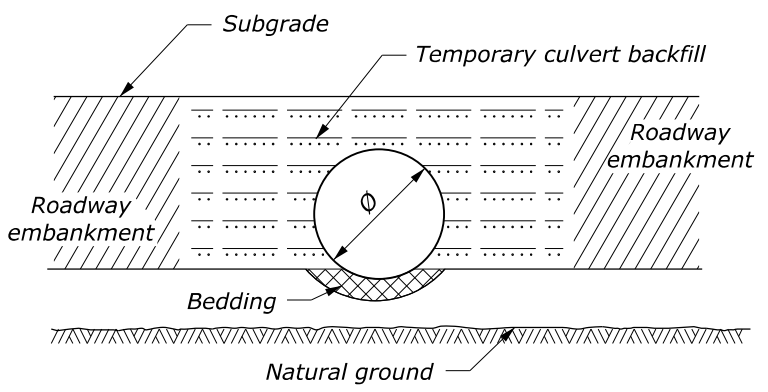


SECTION A-A



SECTION B-B

RIPRAP LINED DIVERSION CHANNEL



SECTION B-B

TEMPORARY CULVERT

NOTE:

1. See Erosion Control Section for temporary culvert diameter, riprap class, channel dimensions and quantities.
2. Use plastic liner or riprap along the entire length and width of the temporary diversion channel.
3. Construct channel at a minimum grade of 0.5 percent.
4. Do not construct with longitudinal joints if using a plastic liner. Bury the upstream edge of the liner a minimum of 150 mm deep and secure with riprap or sandbags.
5. When specified replace the portion of the diversion channel through the roadway embankment with temporary culvert. Compact temporary culvert backfill using one of the methods listed in Subsection 204.11(a).
6. Dimensions without units are millimeters.

NO SCALE

U.S. DEPARTMENT OF TRANSPORTATION FEDERAL HIGHWAY ADMINISTRATION OFFICE OF FEDERAL LANDS HIGHWAY	
METRIC FLH STANDARD	
TEMPORARY DIVERSION CHANNELS	
STANDARD APPROVED FOR USE 3/1996	STANDARD
REVISED: 6/1997 12/1998 6/2005 6/2007	M157-5
7/2022	

c:\pwwork\0422331\Std157-5.dgn [Std M157-5] 27 July 2022 3:40 PM