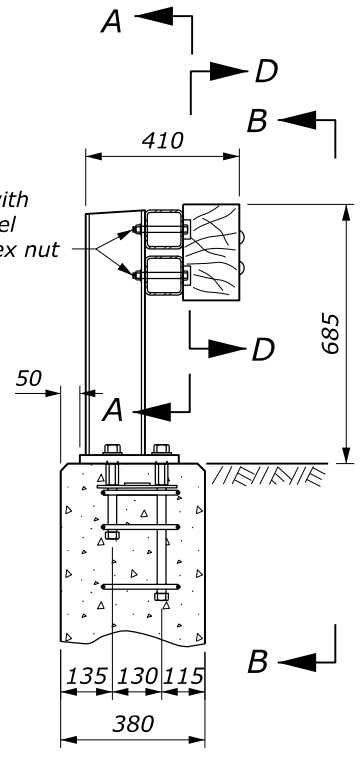


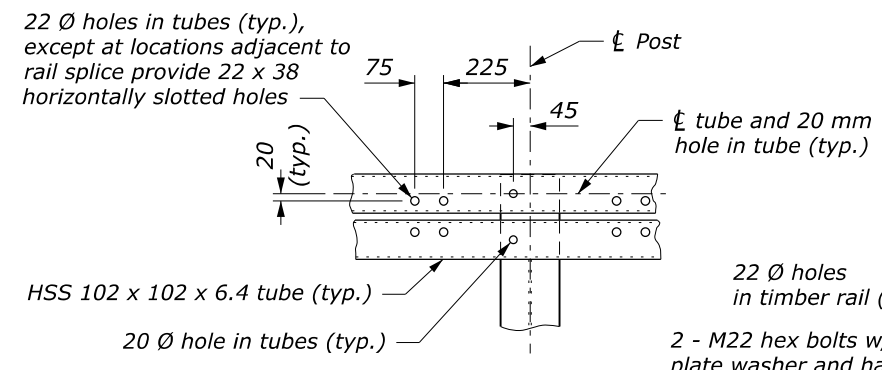
BRIDGE RAIL ELEVATION

NOTE:

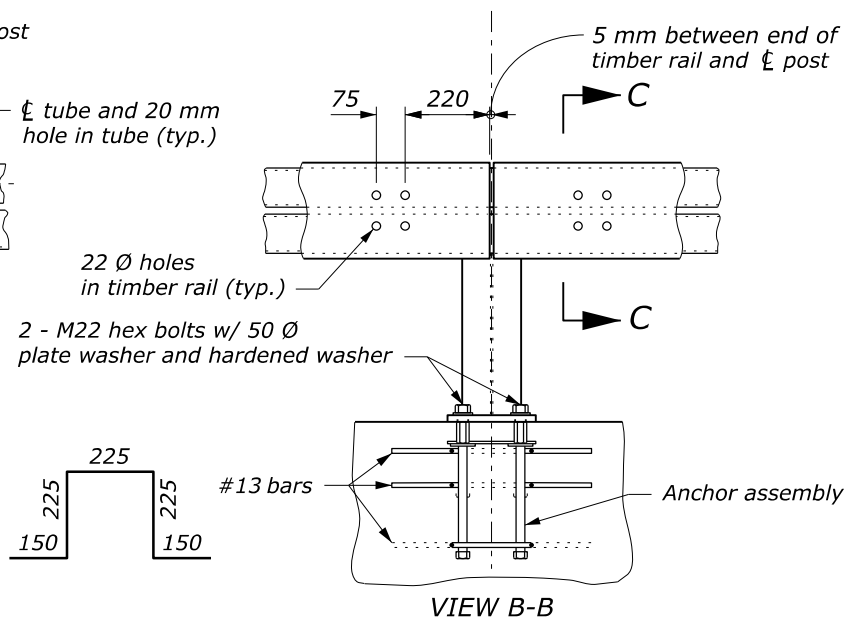
1. Furnish steel for rail posts, base plates, shims, splice sleeves, and anchor assembly plates conforming to ASTM A36. Furnish structural tubing for rails conforming to ASTM A500, Grade B. Paint all metal components of the bridge rail except post base shims, anchor assemblies, and rail splice sleeves. Galvanize post base shims, anchor assemblies, and rail splice sleeves. Furnish hex bolts conforming to ASTM A325. Furnish hex coupling nuts with a center stop conforming to ASTM A563, Grade C, D, or DH. For all other fasteners conform to ASTM A307.
2. Submit fabrication drawings according to Section 555 and show rail section lengths, splice locations, rail post spacing, and fastener lengths. Fabricate steel according to Section 555 before galvanizing or painting. Weld according to Section 555.
3. Connect each HSS 102 x 102 x 6.4 tube to at least three posts between splices.
4. Erect the rail parallel to grade.
5. Dimensions without units are millimeters.



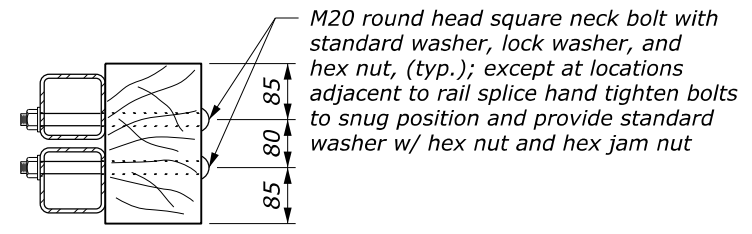
TYPICAL SECTION @ POST



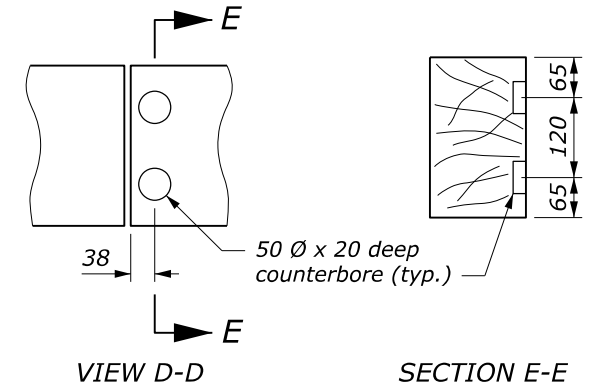
VIEW A-A



VIEW B-B

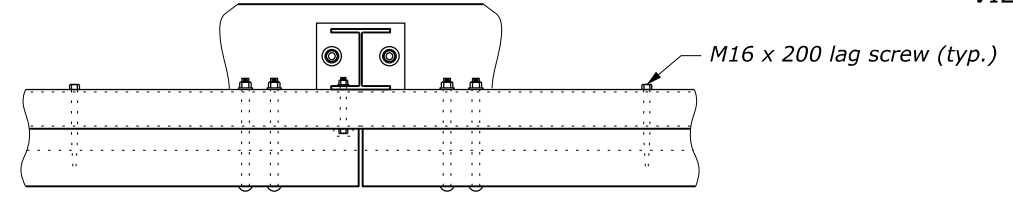


SECTION C-C



VIEW D-D

SECTION E-E



PLAN VIEW @ POST

NO SCALE

U.S. DEPARTMENT OF TRANSPORTATION
 FEDERAL HIGHWAY ADMINISTRATION
 OFFICE OF FEDERAL LANDS HIGHWAY

METRIC FLH STANDARD

**TUBULAR STEEL-BACKED
 TIMBER BRIDGE RAIL**

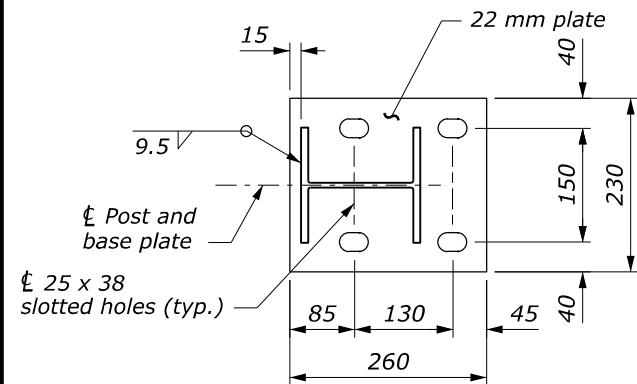
Sheet 1 of 2

STANDARD APPROVED FOR USE --/----
 REVISED: 8/2016

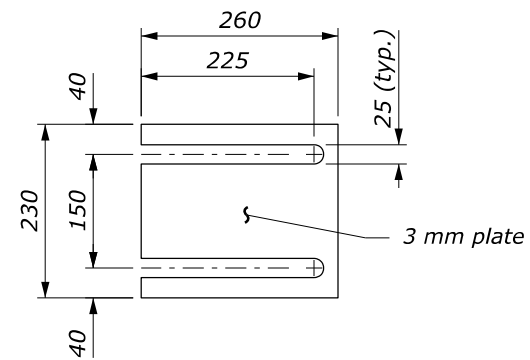
STANDARD
 M556-1

c:\pwwork\0413403\Std556-1.dgn [Std M556-1a]
 22 February 2023 11:10 AM

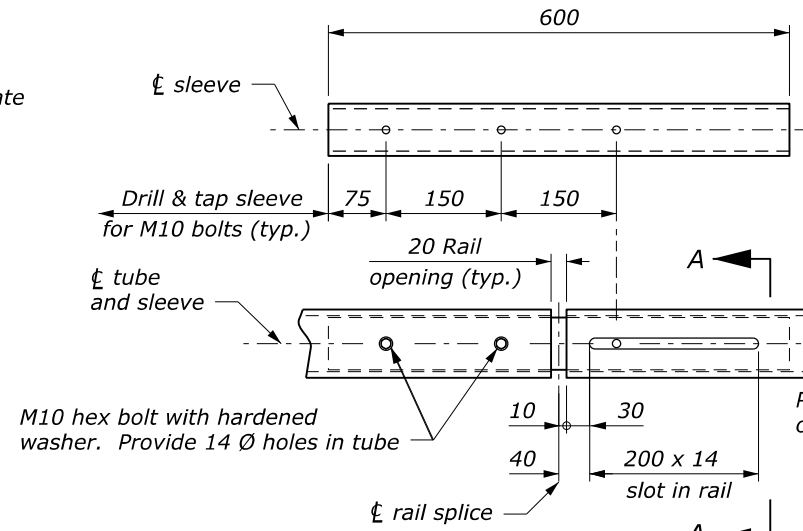
NOTE:
1. Dimensions without units are millimeters.



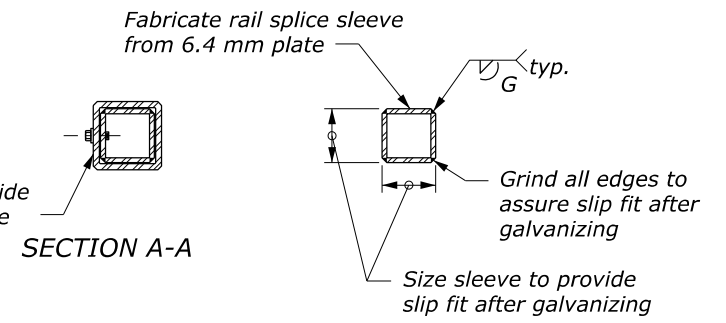
BASE PLATE DETAIL



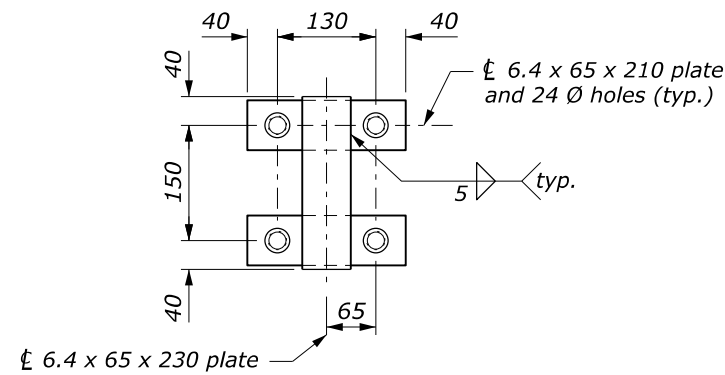
RAIL POST BASE SHIM



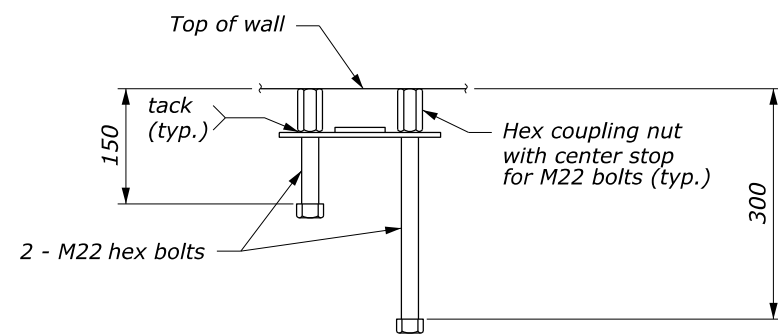
RAIL SPLICE DETAIL



SLEEVE

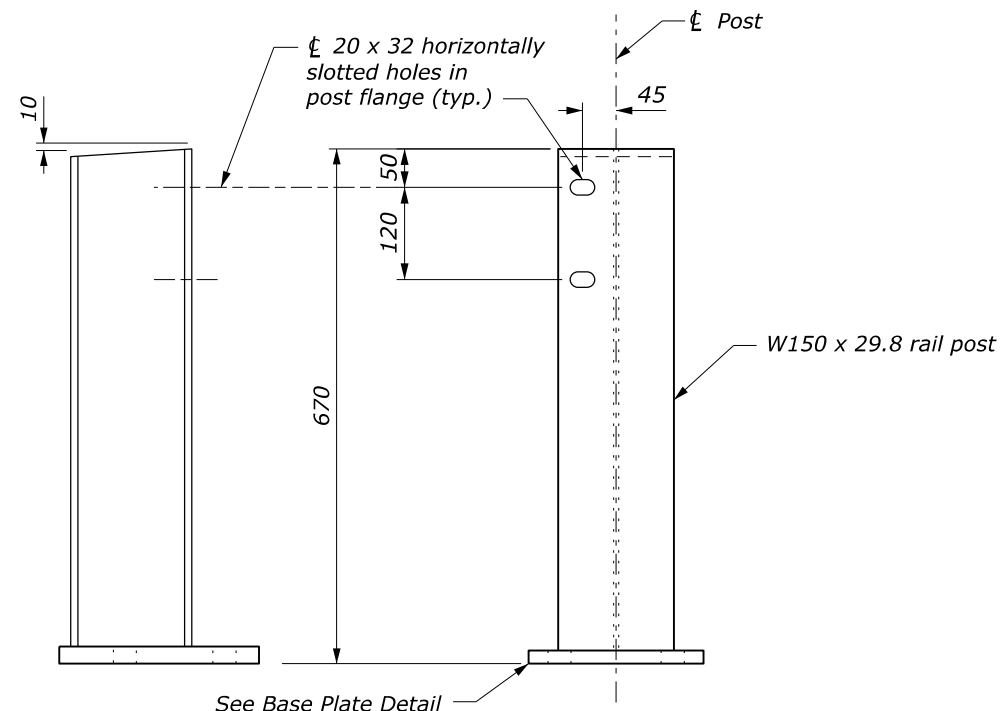


PLAN



ELEVATION

ANCHOR ASSEMBLY



POST ASSEMBLY

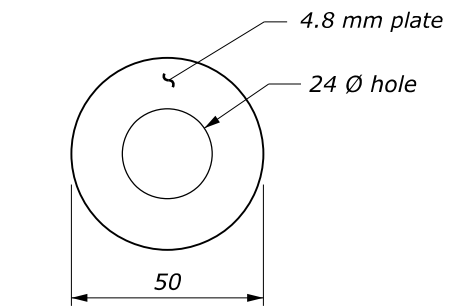


PLATE WASHER

NO SCALE

U.S. DEPARTMENT OF TRANSPORTATION FEDERAL HIGHWAY ADMINISTRATION OFFICE OF FEDERAL LANDS HIGHWAY	
METRIC FLH STANDARD	
TUBULAR STEEL-BACKED TIMBER BRIDGE RAIL	
Sheet 2 of 2	
STANDARD APPROVED FOR USE --/---- REVISED: 8/2016	STANDARD M556-1

c:\pwwork\0413405\Std556-1.dgn [Std M556-1b] 9 February 2023 4:31 PM