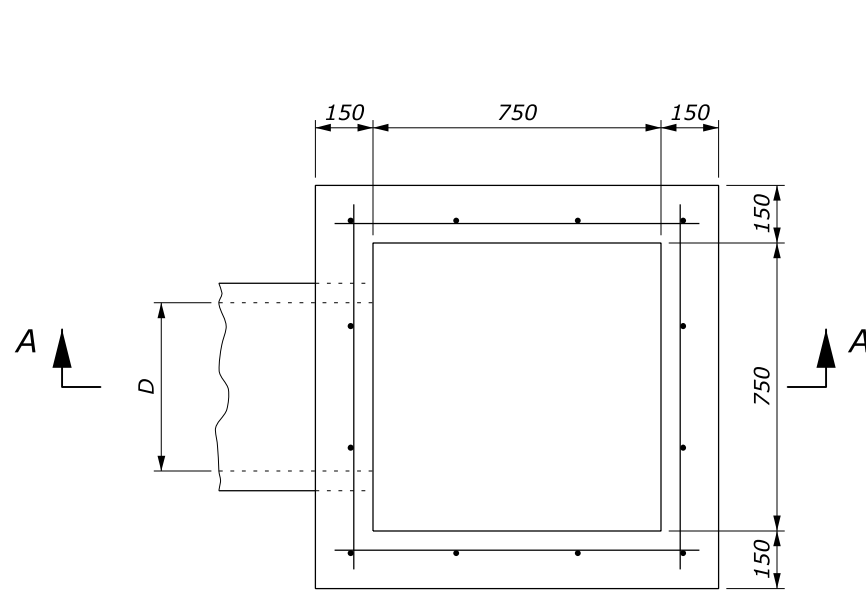
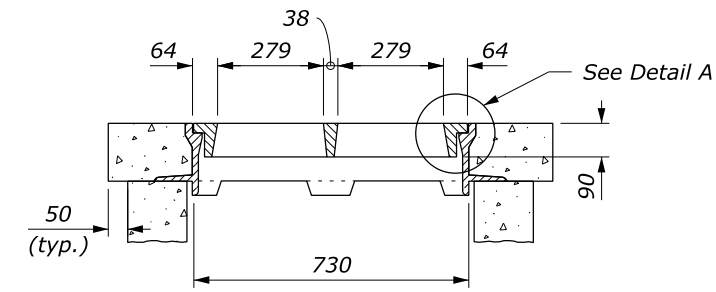
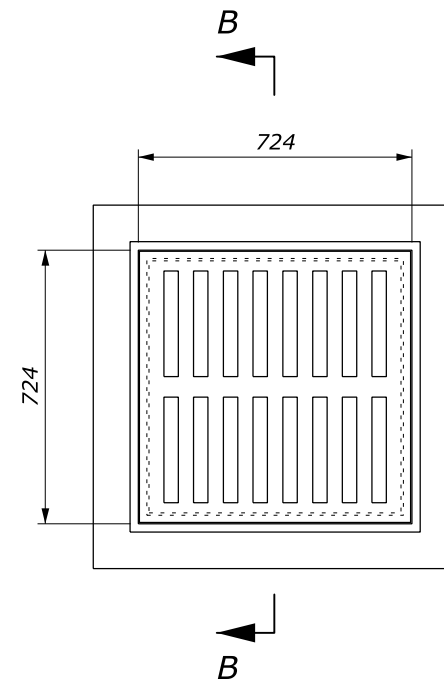


NOTE:

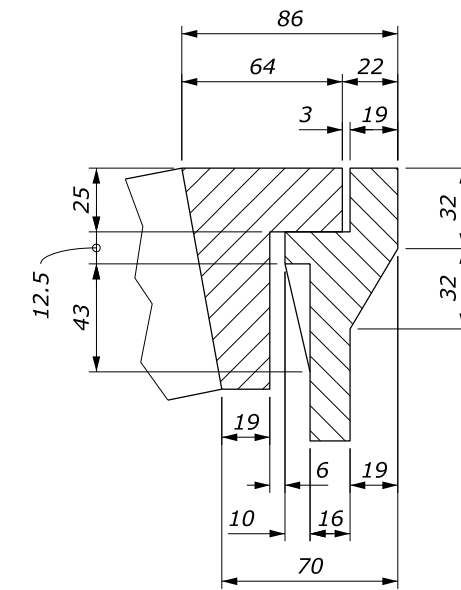
1. Construct inlets parallel to the roadway centerline and grade. For pipes on skew, adapt inlets as directed by the CO.
2. For frames and gratings minor variations in design and dimensions are permitted to allow manufacturers standards.
3. Dimensions without units are millimeters.



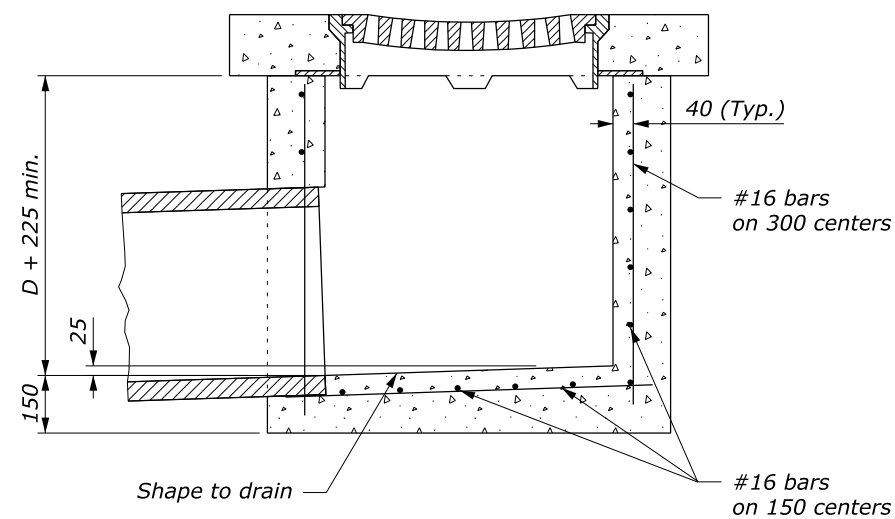
PLAN



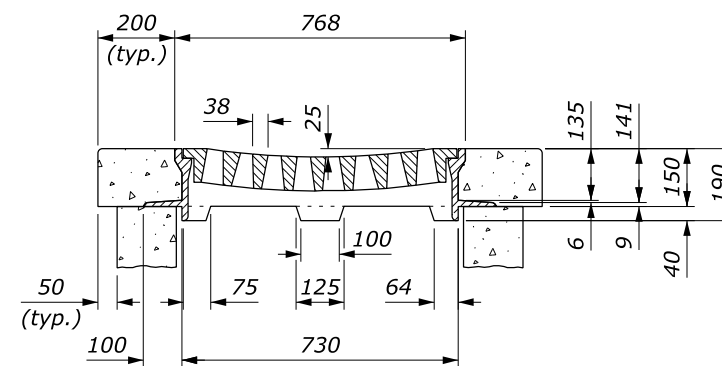
SECTION B-B



DETAIL A



SECTION A-A
TYPE 6B INLET



Gray Iron Castings, AASHTO M 105

**METAL FRAMES AND GRATINGS
TYPE 6B**

NO SCALE

U.S. DEPARTMENT OF TRANSPORTATION FEDERAL HIGHWAY ADMINISTRATION FEDERAL LANDS HIGHWAY	
METRIC STANDARD	
INLET TYPE 6B	
STANDARD APPROVED FOR USE 3/1996	STANDARD
REVISED: 5/1997 6/2005	M604-7