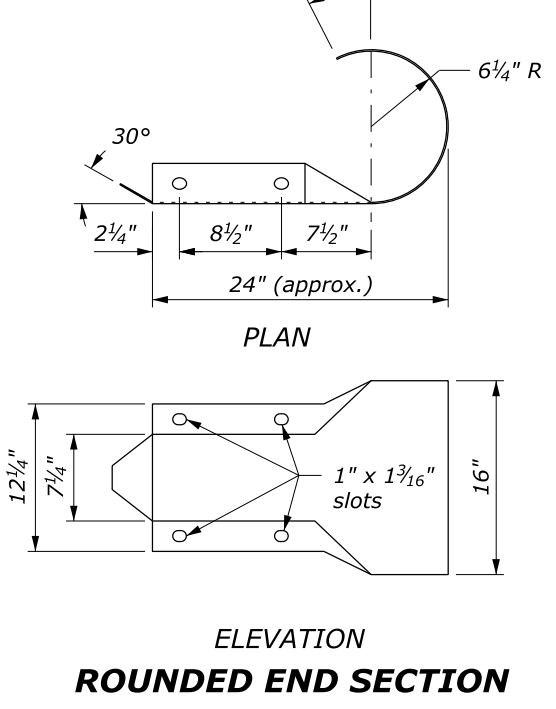
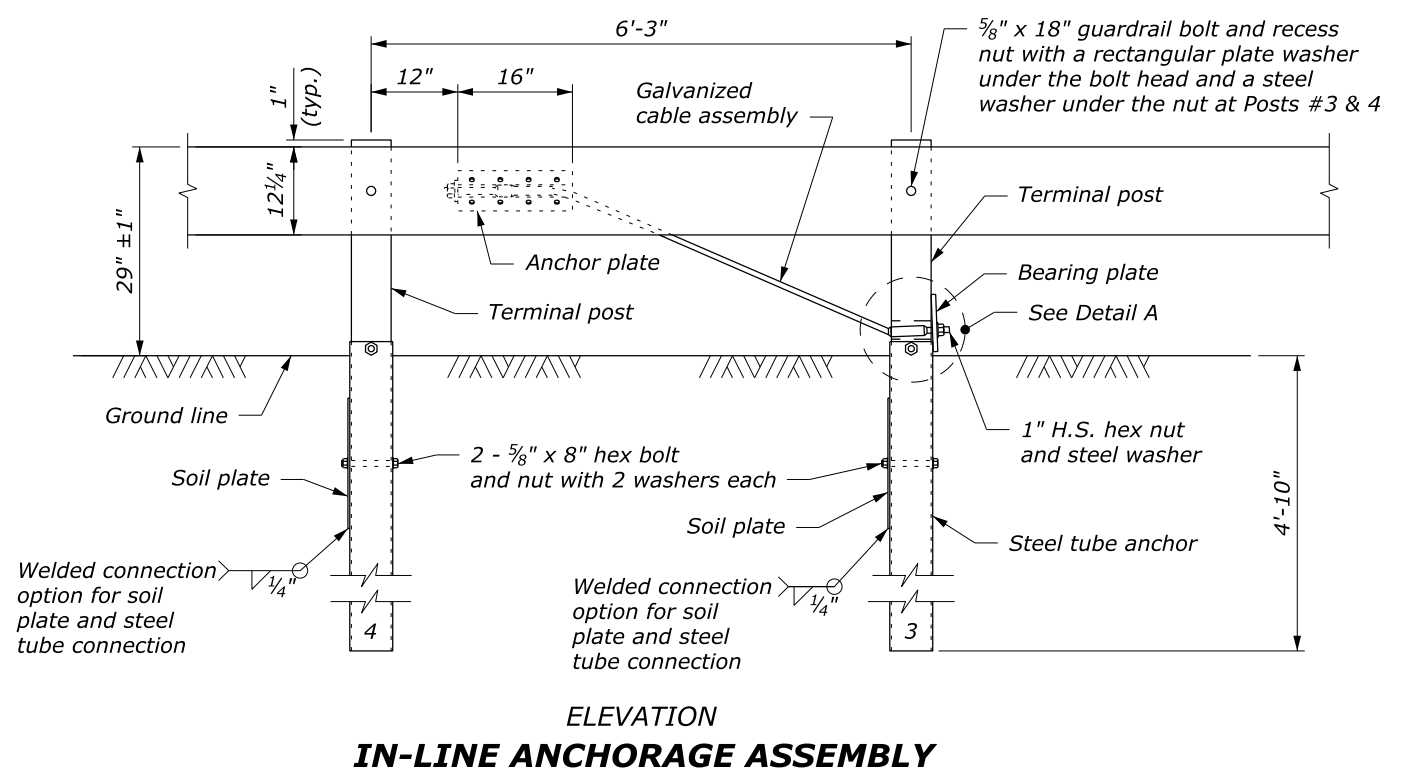
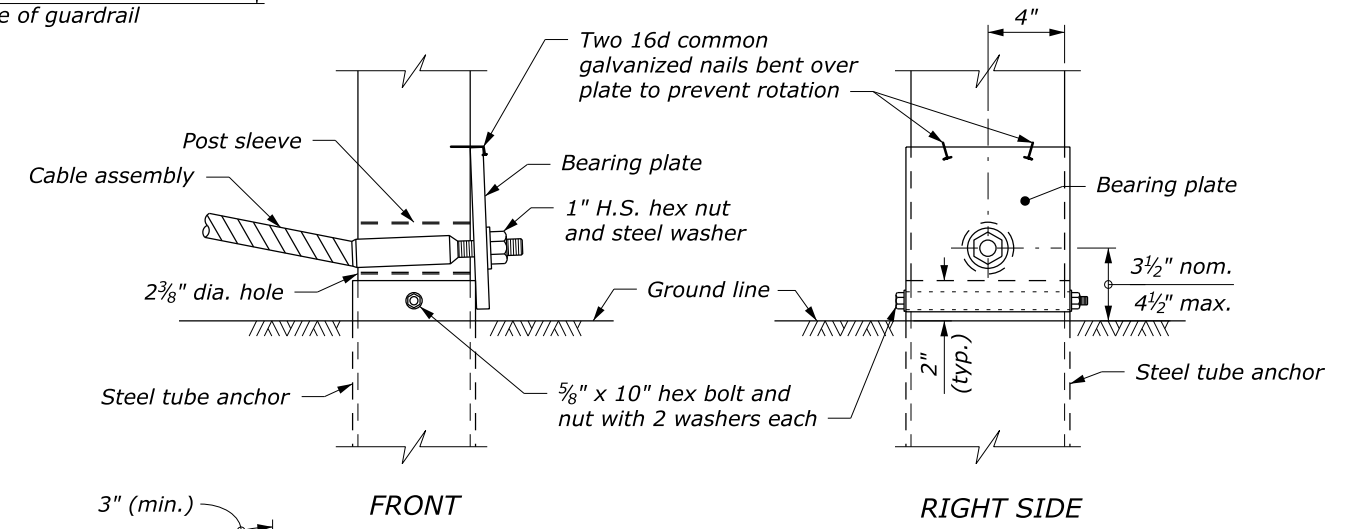


NOTE:

1. Pay limits for terminal section type LST include the in-line anchorage assembly and posts 1-5.
2. Use offset from face of rail to slope break as shown unless otherwise shown on plan.
3. Posts 1, 2 and 5 are standard guardrail posts. See Standard 617-10 for details.
4. See Standard 617-15 for other details.
5. Do not use LST terminal where speeds are in excess of 45 MPH.



NO SCALE

U.S. DEPARTMENT OF TRANSPORTATION FEDERAL HIGHWAY ADMINISTRATION FEDERAL LANDS HIGHWAY	
U.S. CUSTOMARY STANDARD G4-W BEAM GUARDRAIL LOW SPEED TERMINAL TYPE LST, WOOD POSTS	
STANDARD APPROVED FOR USE 6/2005	STANDARD
REVISED: DRAFT: 12/2014	617-14