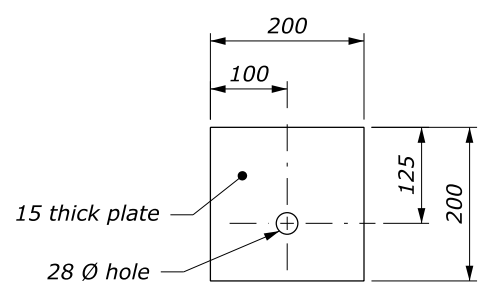


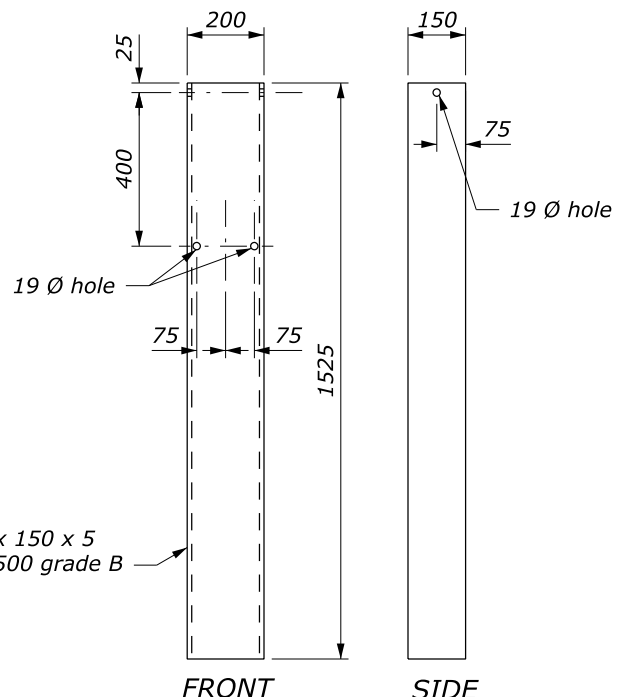
**ANCHOR PLATE DETAILS FOR LST ANCHORAGE ASSEMBLY**

- NOTE:**
1. Dimensional tolerances not shown or implied are intended to be those consistent with the proper functioning of the part, including its appearance, and accepted manufacturing practices.
  2. Furnish hardware in the metric sizes shown. Equivalent U.S. Customary sizes may be used when metric sizes are unavailable.
  3. Dimensions without units are millimeters.



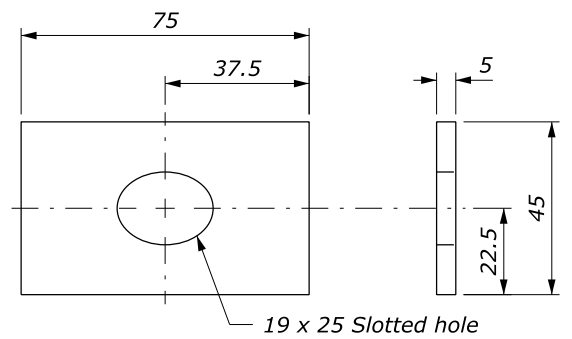
**POST SLEEVE**

**BEARING PLATE**

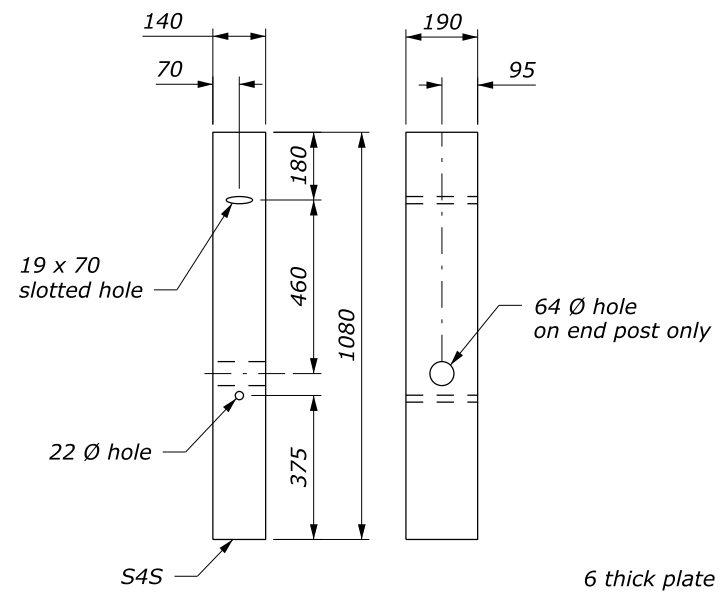


TS 200 x 150 x 5  
ASTM A500 grade B

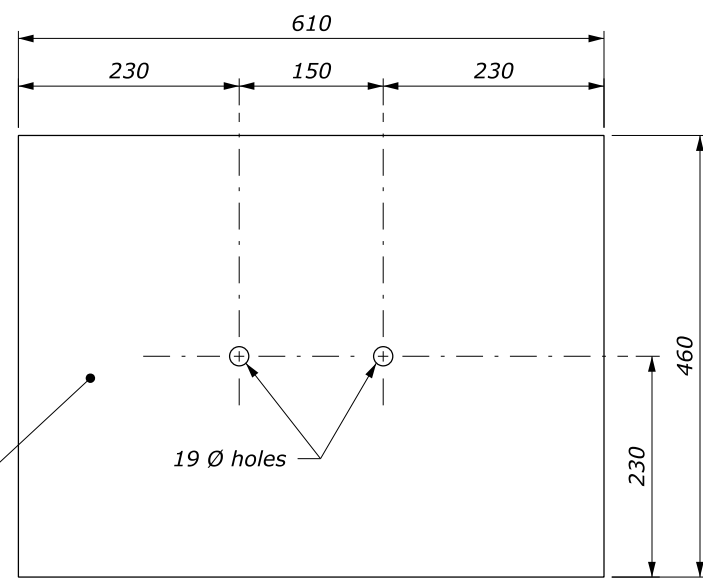
**STEEL TUBE ANCHOR**



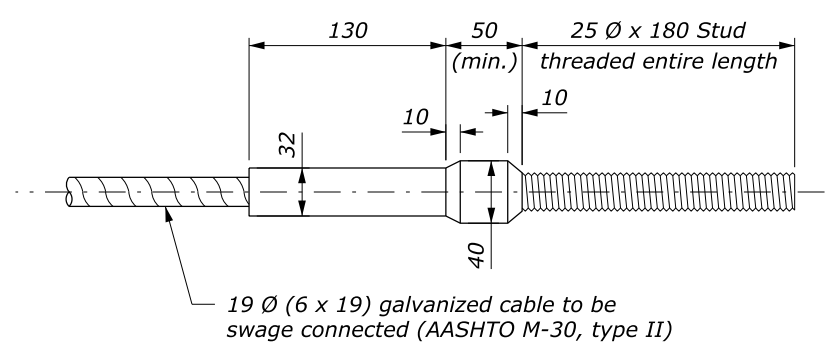
**RECTANGULAR PLATE WASHER**  
(Use to attach the section to the post of anchorage assembly)



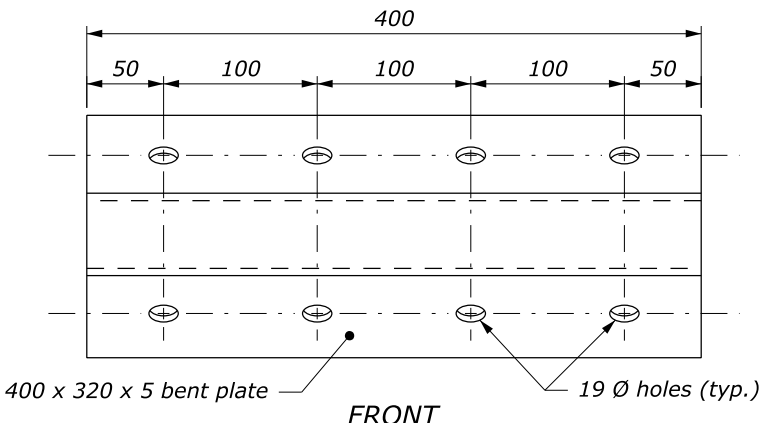
**TERMINAL POST**



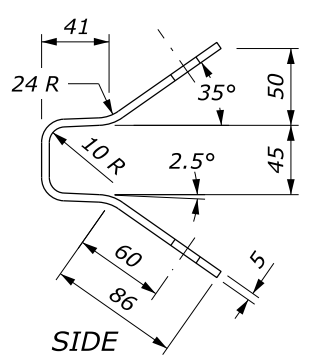
**SOIL PLATE**  
(2 REQUIRED)



**CABLE ASSEMBLY**  
(Standard swaged fitting and stud)



**GUARDRAIL ANCHOR PLATE**



NO SCALE

U.S. DEPARTMENT OF TRANSPORTATION FEDERAL HIGHWAY ADMINISTRATION FEDERAL LANDS HIGHWAY	
METRIC STANDARD	
<b>G4 W-BEAM GUARDRAIL MELT, LST &amp; CRT ANCHORAGE ASSEMBLY DETAILS</b>	
STANDARD APPROVED FOR USE 3/1996	STANDARD
REVISED: 8/1997 12/1998 6/2005	M617-15
DRAFT: 5/2014	