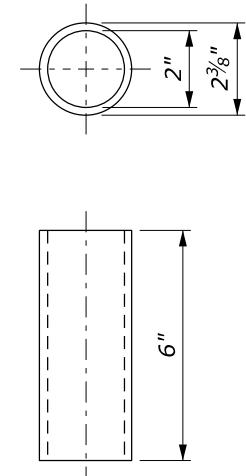
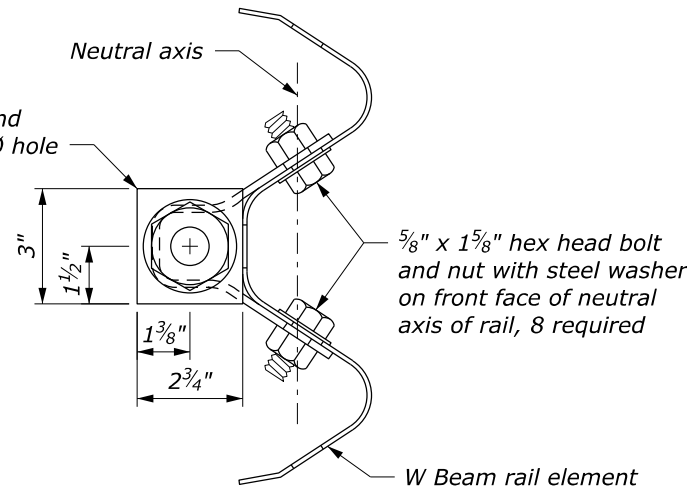


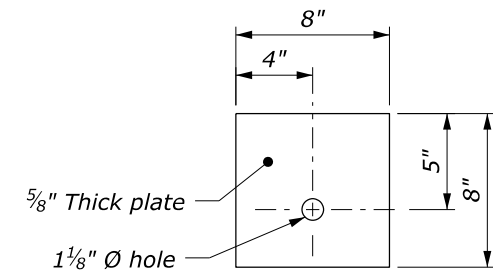
CABLE ANCHOR PLATE DETAILS



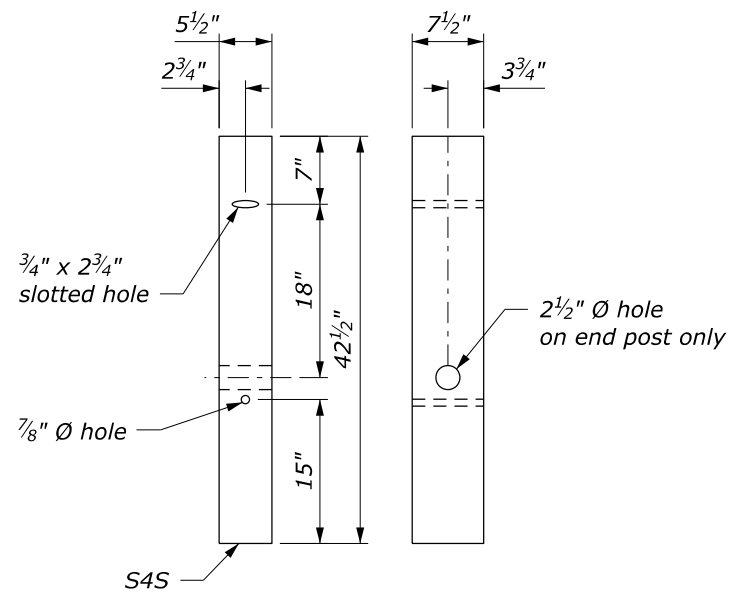
POST SLEEVE

NOTE:

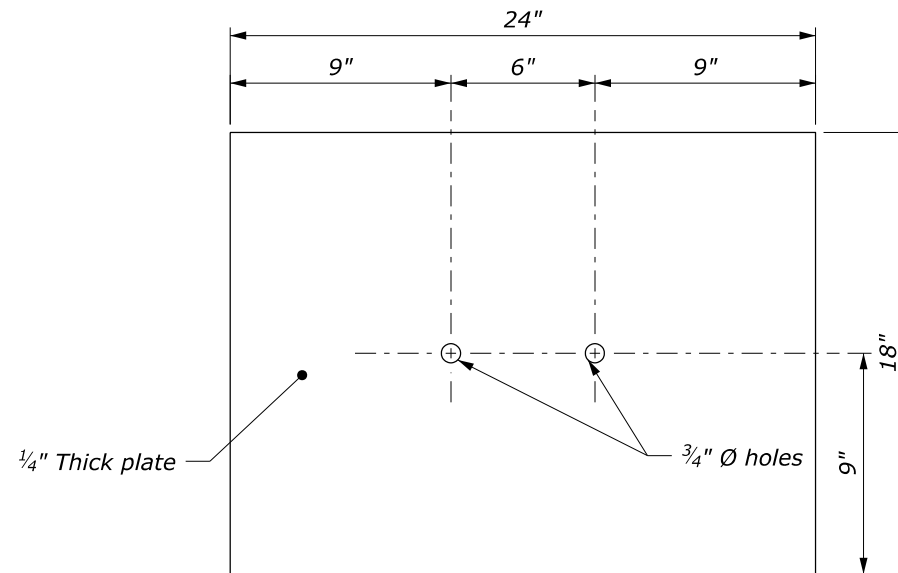
1. Dimensional tolerances not shown or implied are intended to be those consistent with the proper functioning of the part, including its appearance, and accepted manufacturing practices.



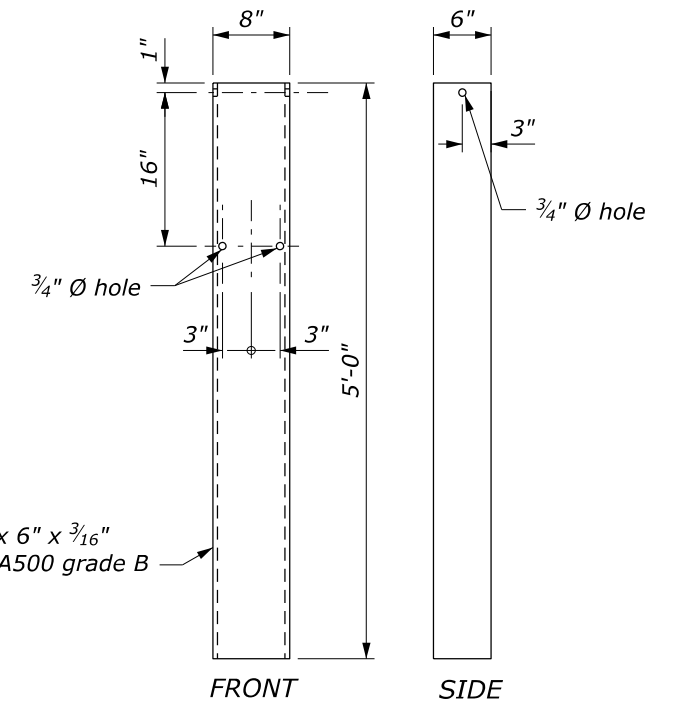
BEARING PLATE



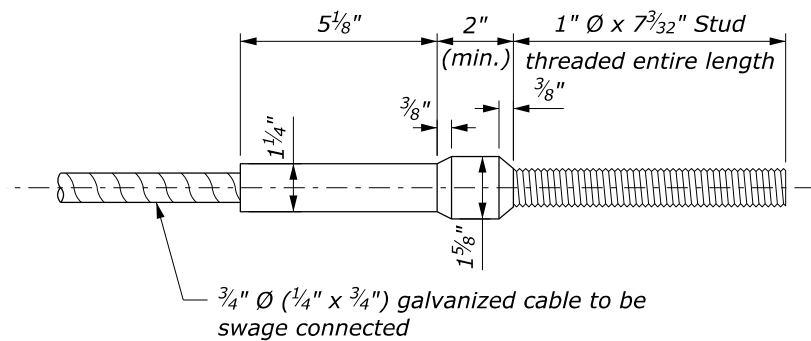
TERMINAL POST



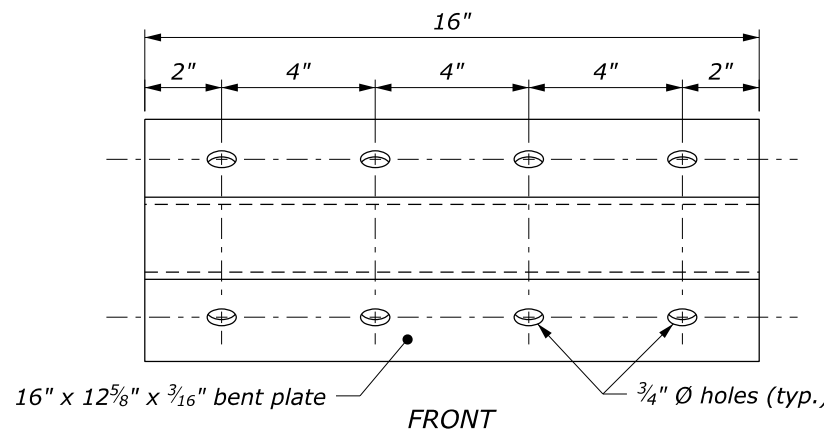
**SOIL PLATE
(2 REQUIRED)**



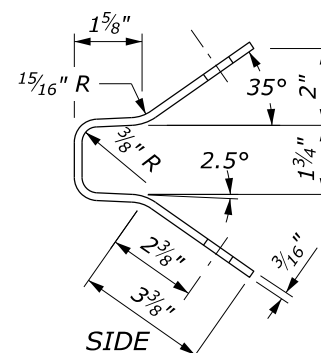
STEEL TUBE ANCHOR



**CABLE ANCHOR ASSEMBLY
(Standard swaged fitting and stud)**



GUARDRAIL ANCHOR BRACKET



NO SCALE

U.S. DEPARTMENT OF TRANSPORTATION FEDERAL HIGHWAY ADMINISTRATION OFFICE OF FEDERAL LANDS HIGHWAY	
FLH STANDARD G4 W-BEAM GUARDRAIL CRT ANCHORAGE ASSEMBLY DETAILS	
STANDARD APPROVED FOR USE 7/2022 REVISED:	STANDARD 617-23