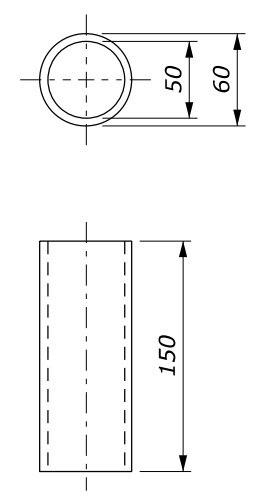


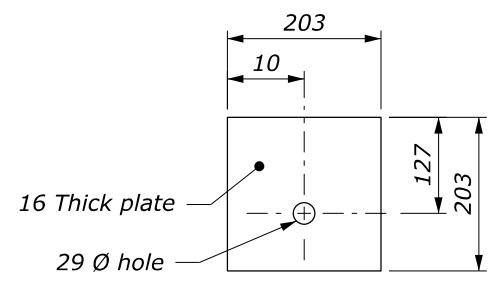
**CABLE ANCHOR PLATE DETAILS**



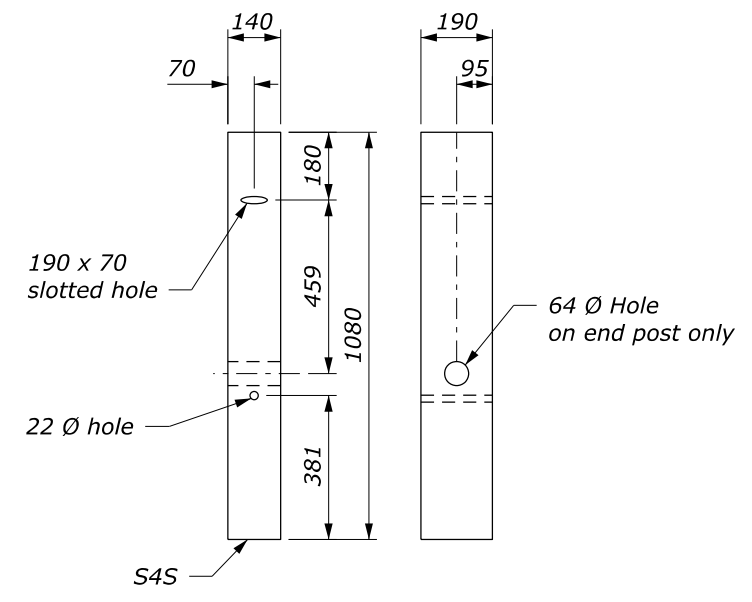
**POST SLEEVE**

**NOTE:**

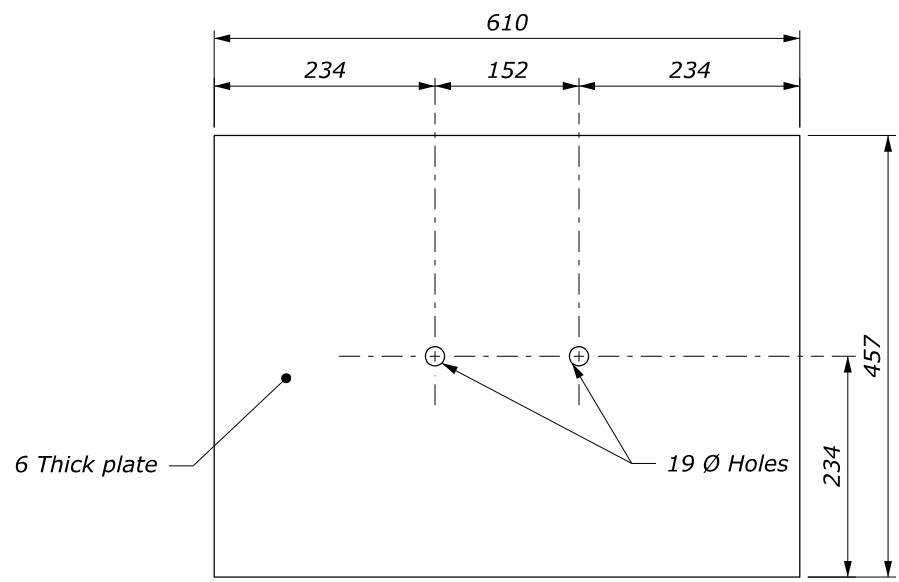
1. Dimensional tolerances not shown or implied are intended to be those consistent with the proper functioning of the part, including its appearance, and accepted manufacturing practices.
2. Dimensions without units are millimeters.



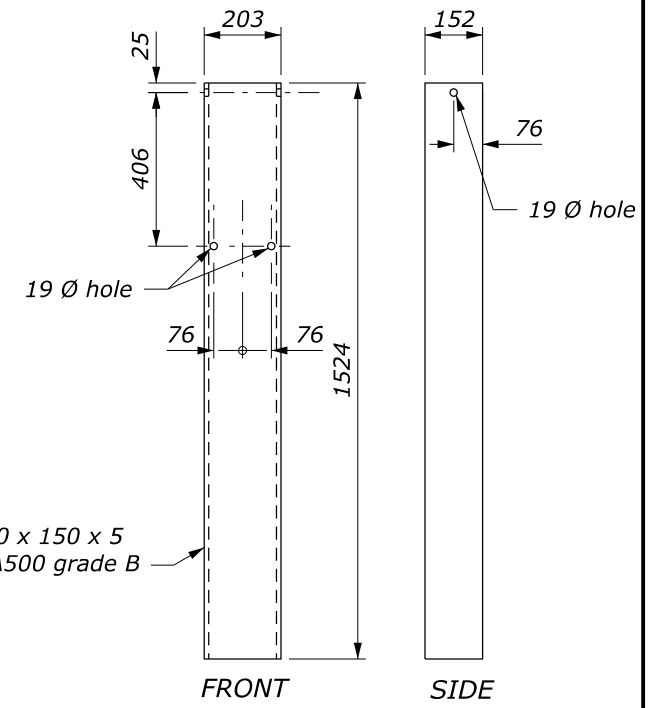
**BEARING PLATE**



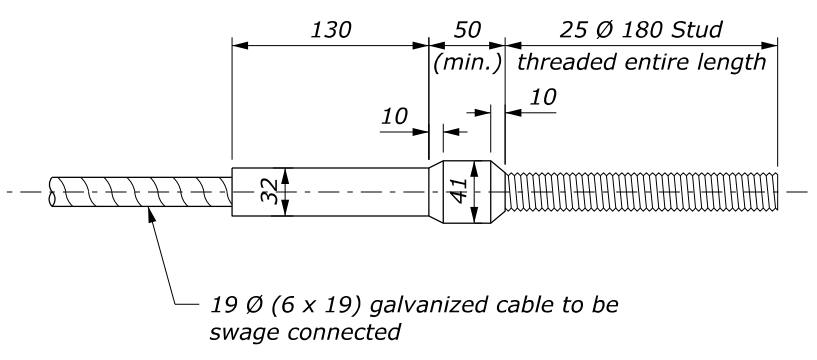
**TERMINAL POST**



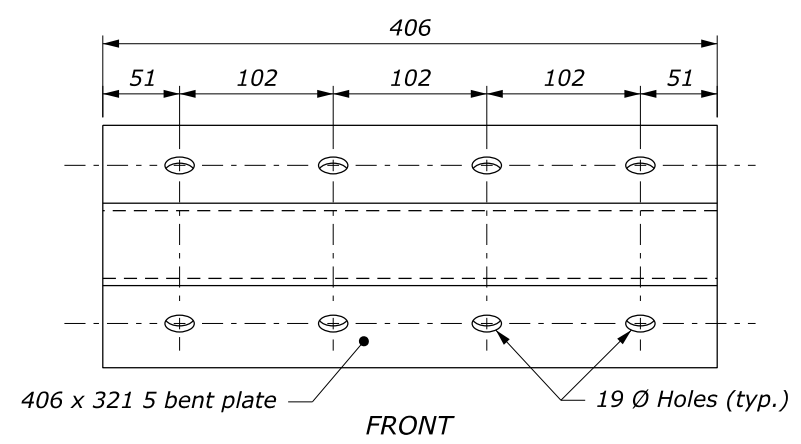
**SOIL PLATE  
(2 REQUIRED)**



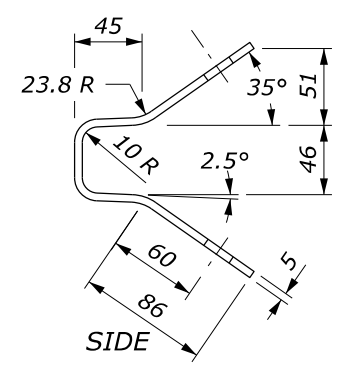
**STEEL TUBE ANCHOR**



**CABLE ANCHOR ASSEMBLY  
(Standard swaged fitting and stud)**



**GUARDRAIL ANCHOR BRACKET**



NO SCALE

U.S. DEPARTMENT OF TRANSPORTATION FEDERAL HIGHWAY ADMINISTRATION OFFICE OF FEDERAL LANDS HIGHWAY	
METRIC FLH STANDARD	
<b>G4 W-BEAM GUARDRAIL CRT ANCHORAGE ASSEMBLY DETAILS</b>	
STANDARD APPROVED FOR USE 7/2022	STANDARD
REVISED:	M617-23

c:\pwwork\0419223\Std617-23.dgn [Std: M617-23] 10 August 2022 2:18 PM