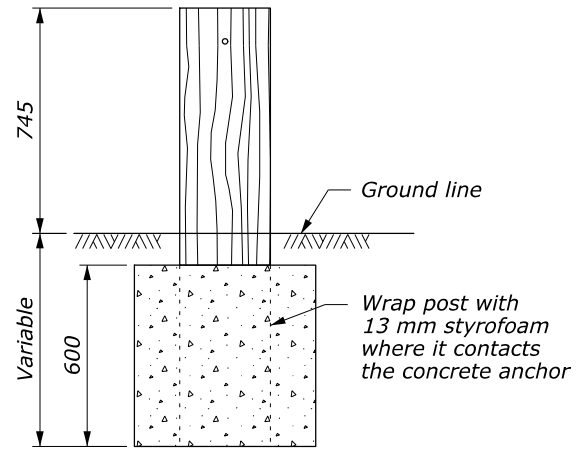
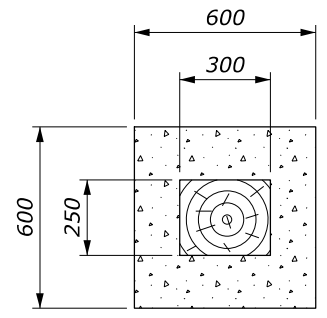
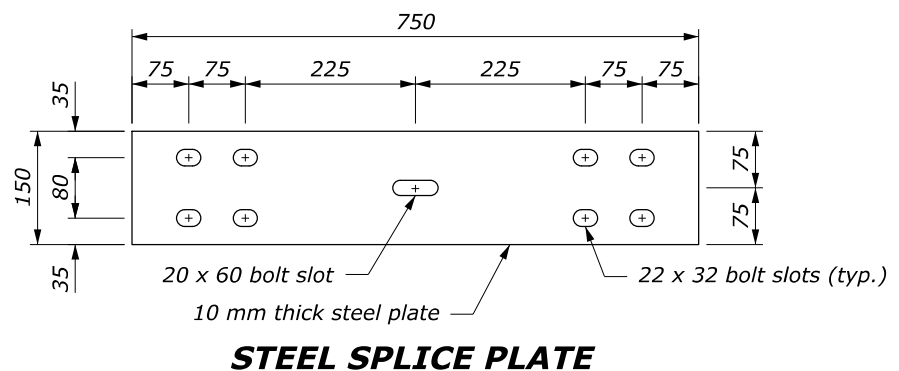
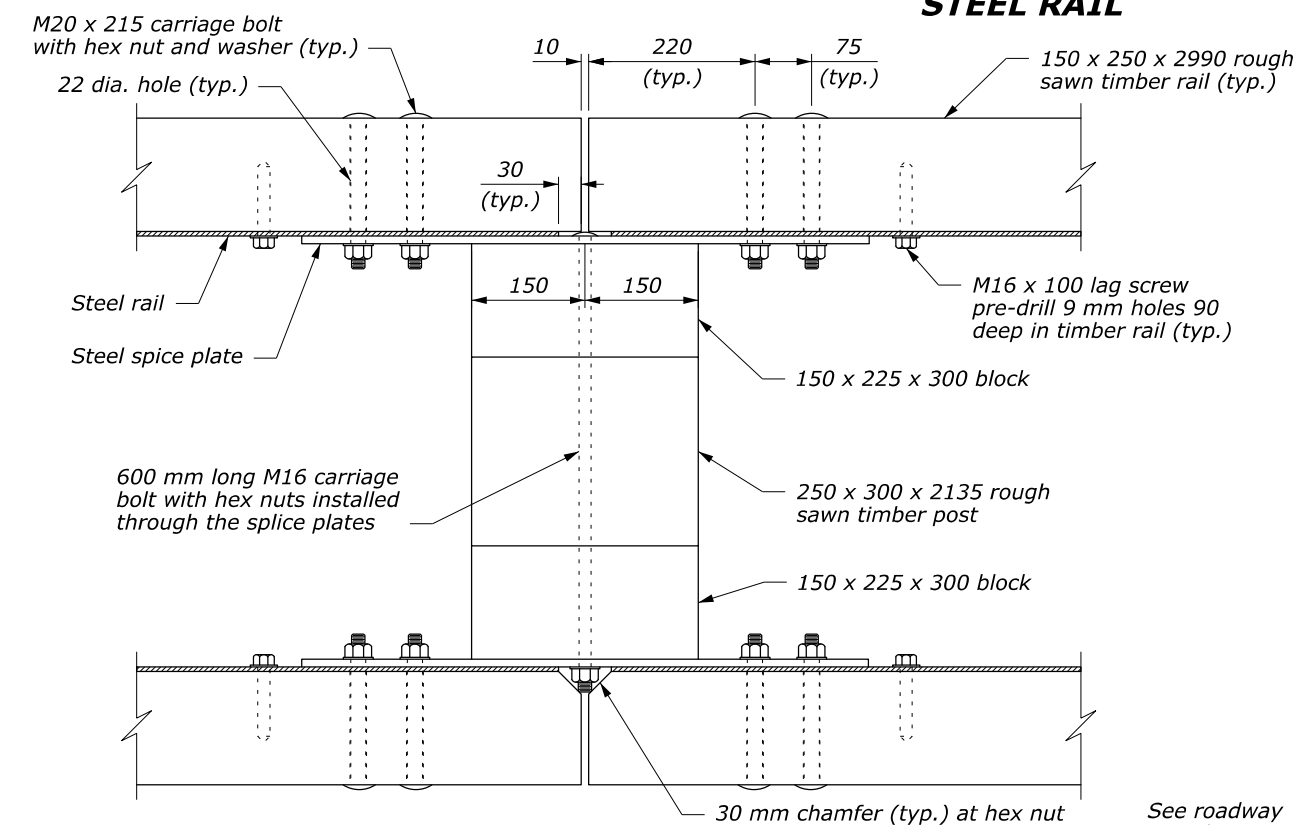
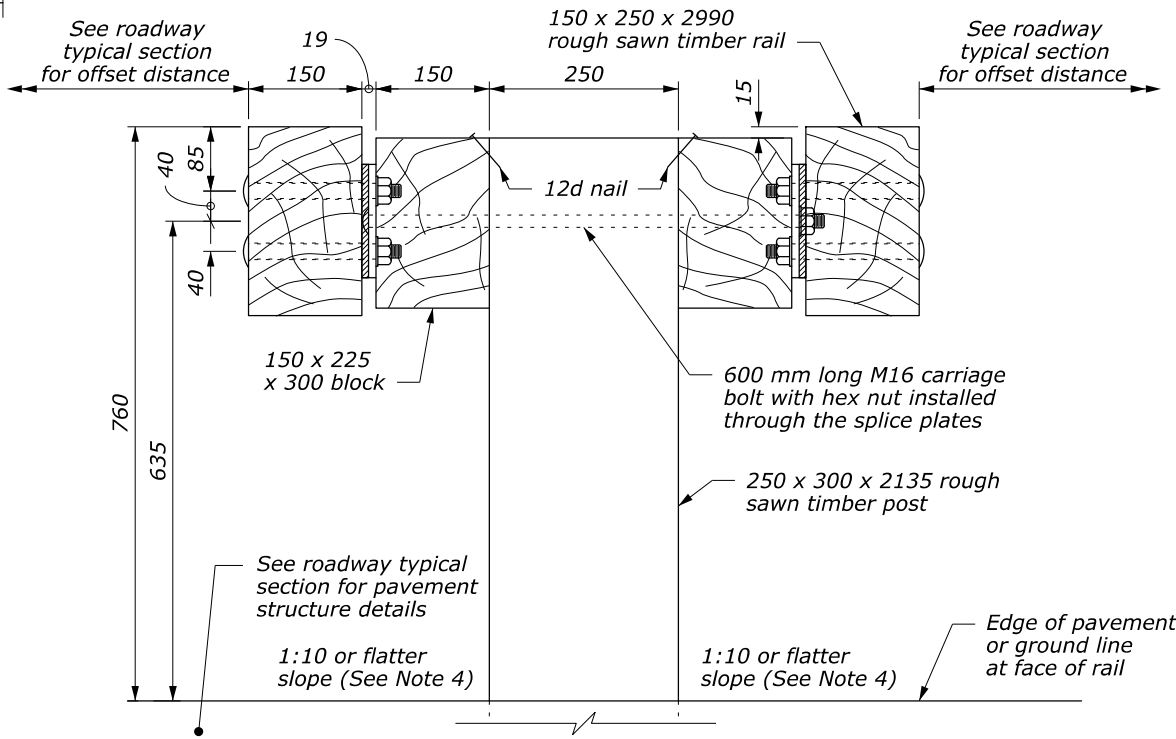
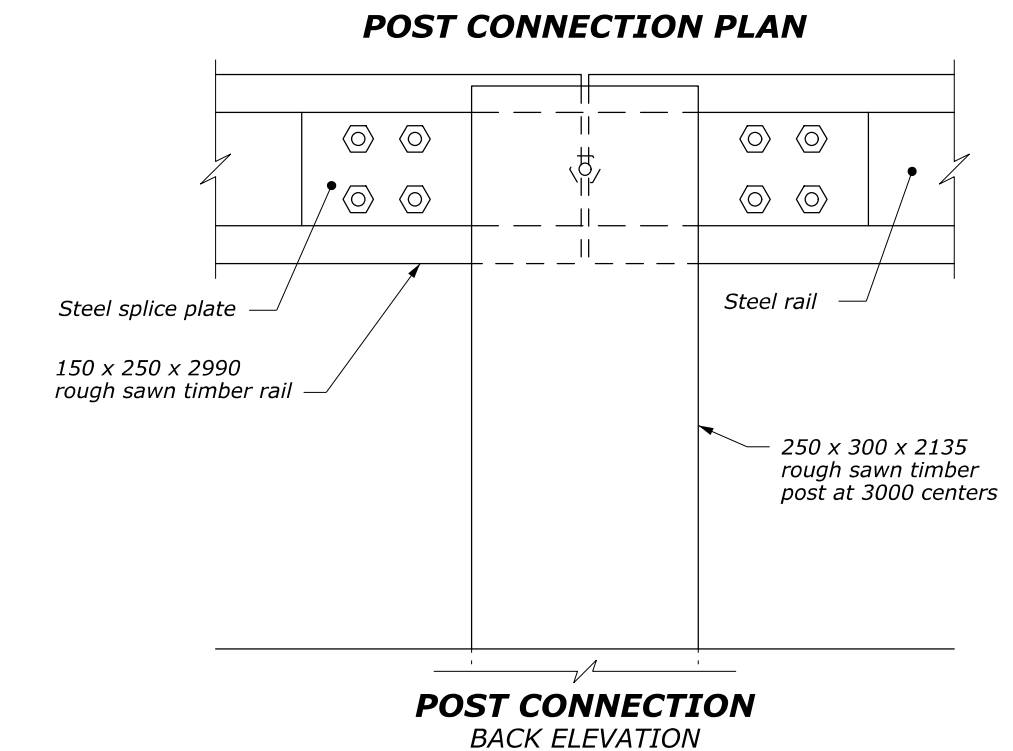


NOTE:

1. Use weathering steel for all structural steel and fastener hardware as specified.
2. Place terminal section on both approach and trailing ends of barrier installations. See Standards M617-61 and M617-62.
3. Use no more than 3 short guardrail posts in a row. A 625 mm diameter round anchor may be used instead of the square anchor shown. A reduced size is acceptable in solid rock.
4. In areas where the rail face is offset a minimum of 6 m from the edge of travel lane, a maximum approach shoulder slope of 1V:6H may be used.
5. Furnish hardware in the metric sizes shown. Equivalent US Customary sizes may be used when metric sizes are unavailable.
6. Dimensions without units are millimeters.



CONCRETE ANCHOR FOR SHORT GUARDRAIL POST
See Note 3



TYPICAL GUARDRAIL CROSS SECTION

NO SCALE

U.S. DEPARTMENT OF TRANSPORTATION FEDERAL HIGHWAY ADMINISTRATION FEDERAL LANDS HIGHWAY	
METRIC STANDARD	
STEEL-BACKED TIMBER GUARDRAIL MEDIAN, TYPE A	
STANDARD APPROVED FOR USE --/----	STANDARD
REVISED: DRAFT: 3/2010	M617-70

H:\StanDraw\st61770.dgn [Metric] 11 March 2010 11:27 AM