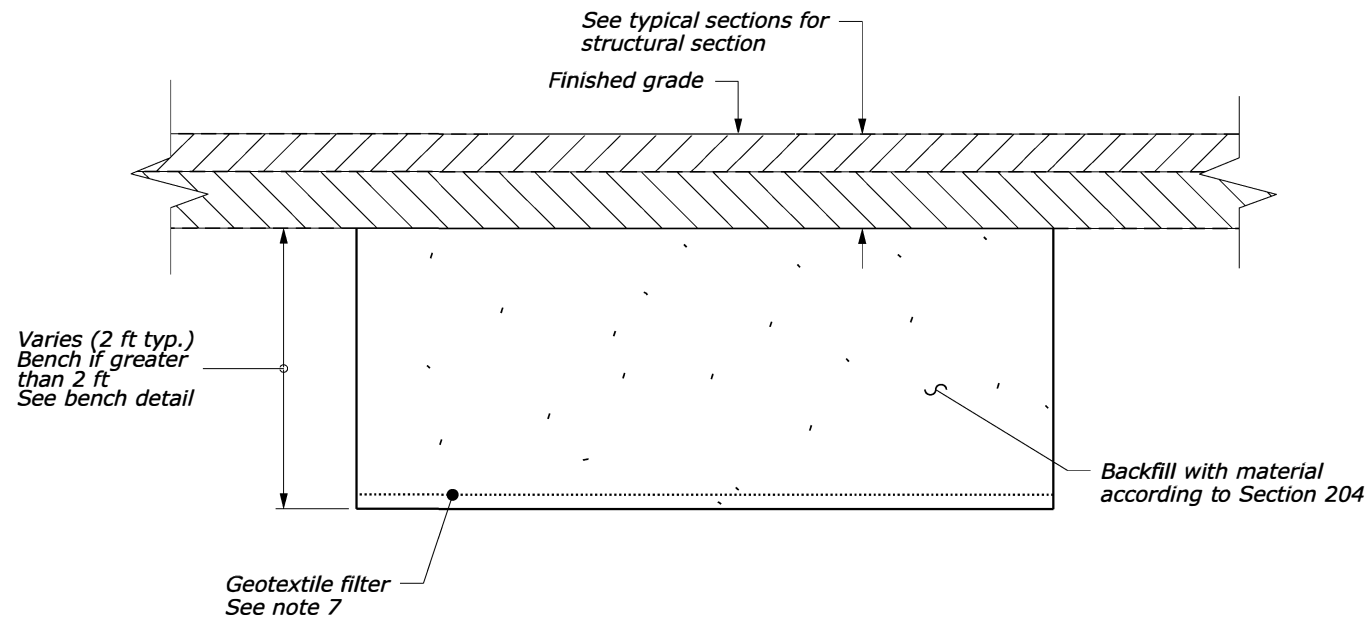


STATE	PROJECT	SHEET NUMBER

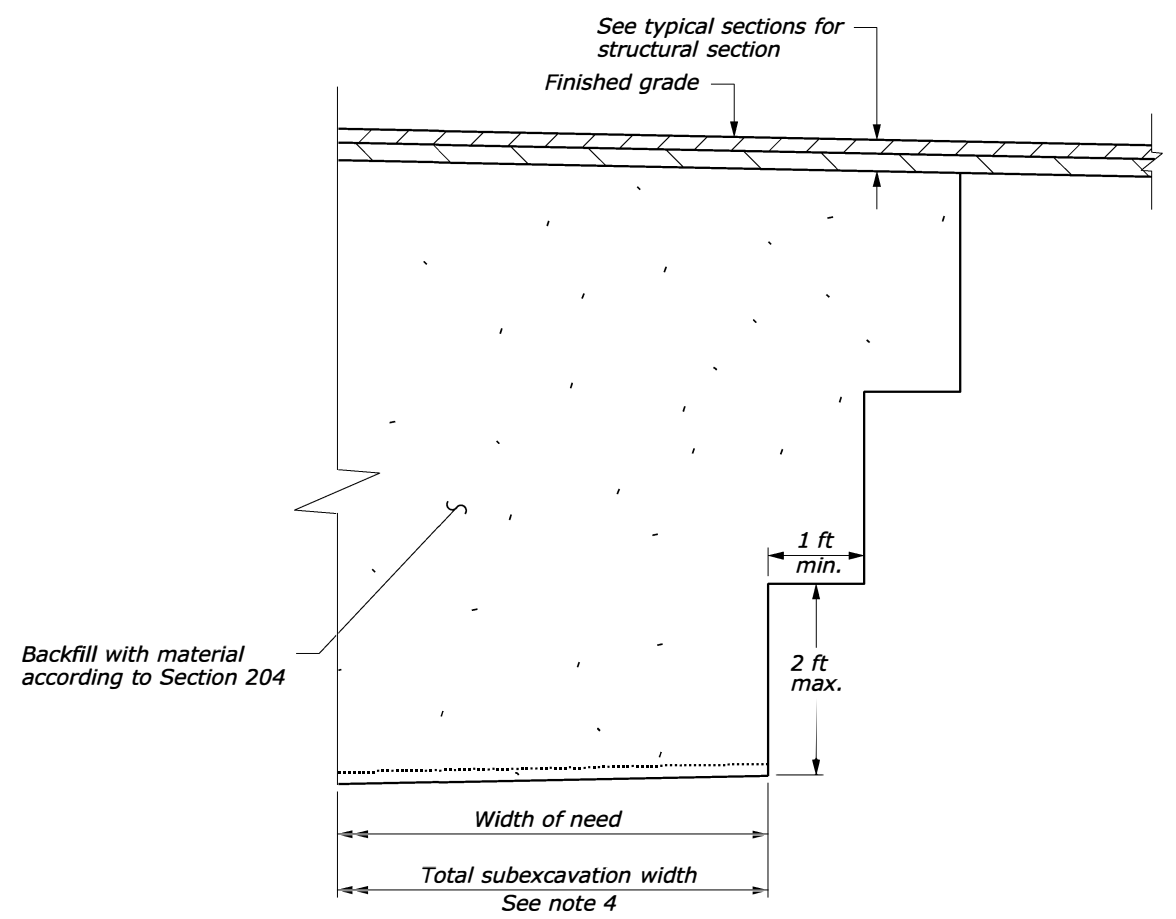
User: Angela.Johnson_



**SUBEXCAVATION
TYPICAL SECTION**

NOTE:

1. Replace unsuitable material according to Subsection 204.07 unless otherwise specified.
2. Minimum subexcavation dimensions are 6 ft wide x 6 ft long.
3. Do not place backfill material within the structural section.
4. Widen top of subexcavation area to allow for bench width in bottom layers. Provide a 1 ft min. bench width for every 2 ft of subexcavation depth.
5. Daylight to drain when the excavation is within 4 ft of the subgrade hinge point. Slope the excavation bottom 2% toward the daylight for drainage, or match the existing roadway cross slope when steeper than 2%.
6. At daylight locations, match the existing fill slope or make slope adjustments to match the subgrade hinge point. Do not construct slopes steeper than 1:2 unless approved by the CO.
7. Furnish geotextile filter type conforming to subsection 714.01(a). See summary tables for class and type.



BENCH DETAIL

9:33:06 AM N:\CFL-DPT\Drawings\FP-14\FP14_Details\C204-51.dgn

9/1/2020

U.S. DEPARTMENT OF TRANSPORTATION FEDERAL HIGHWAY ADMINISTRATION CENTRAL FEDERAL LANDS HIGHWAY DIVISION	
U.S. CUSTOMARY DETAIL SUBEXCAVATION	
<small>DETAIL APPROVED FOR USE 12/2012</small>	<small>DETAIL</small>
<small>REVISED: 08/2014 08/2020</small>	C204-51

NO SCALE



NOTES TO THE DESIGNER

Last Updated: August 2014

General Information

1. **Layout Guidance.** Subexcavation locations will not be shown on the plans unless requested by the PM/COE. Add "As directed by the CO" to the remark column in the summary of quantities for the subexcavation pay item when exact locations are not tabulated.

Applicable SCRs

1. Section 204: <https://flh.fhwa.dot.gov/resources/specs/fp-14/cfl/documents/S204-14.docx>

Typical Pay Item Used

- 20402-0000 Subexcavation [CUYD]

Updates

January 2013

- New CFL detail drawing

August 2014

- Updated for FP-14
- Updated border to FLH Standard

August 2020

- Updated geotextile reference