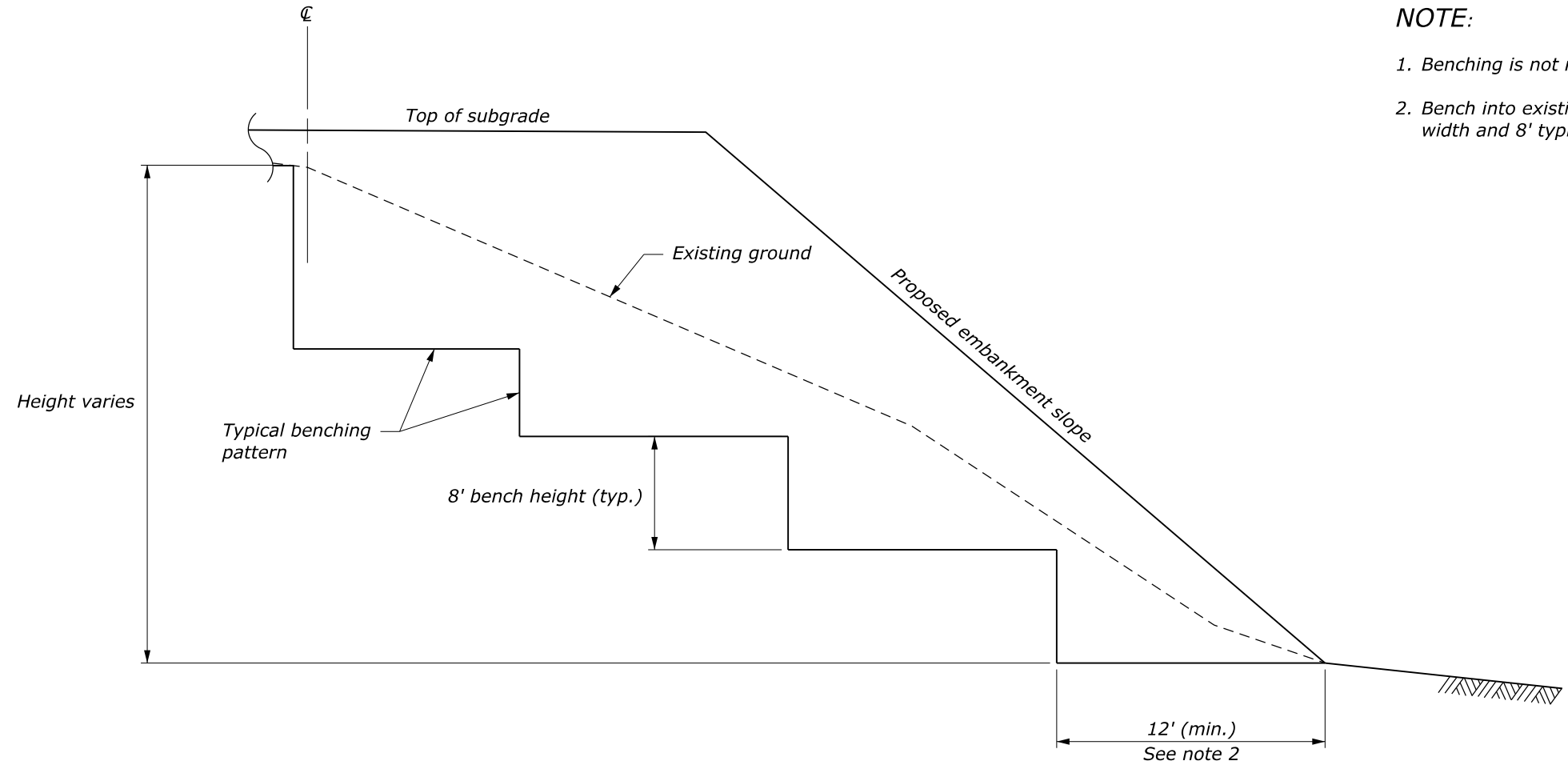


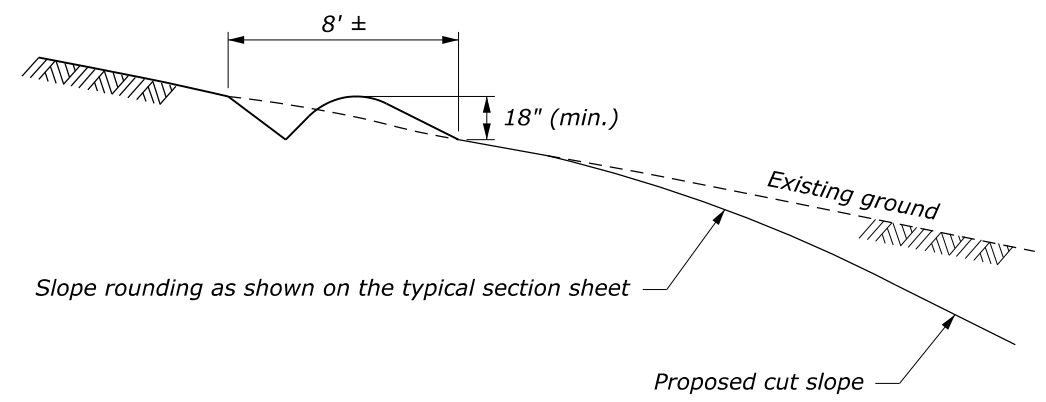
STATE	PROJECT	SHEET NUMBER
ST	PROJECT NUMBER PROJECT NAME	C204-50

NOTE:

1. Benching is not required for ground sloped at 1V:3H or flatter.
2. Bench into existing slope as necessary to meet 12' minimum bench width and 8' typical bench height.



EMBANKMENT BENCHING



FURROW DITCH

NO SCALE

U.S. DEPARTMENT OF TRANSPORTATION FEDERAL HIGHWAY ADMINISTRATION CENTRAL FEDERAL LANDS HIGHWAY DIVISION	
CFLHD DETAIL	
EMBANKMENT BENCHING AND FURROW DITCH	
DETAIL APPROVED FOR USE 08/2006	DETAIL
REVISED: 08/2014 10/2020	C204-50

N:\CFL-DPITT_OpenRoads Designer Connect\Details\C204-50.dgn [C204-50 Sheet] 19 October 2021 10:07 AM