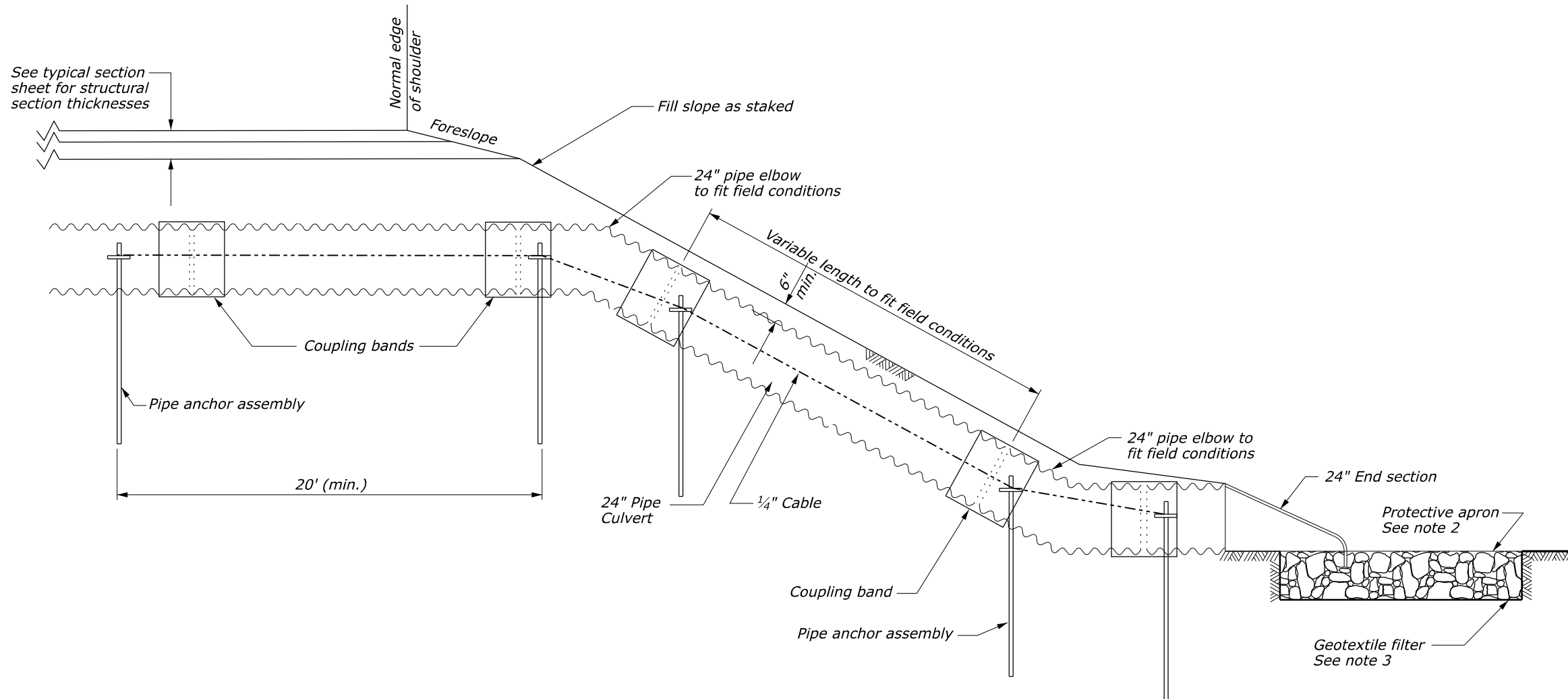
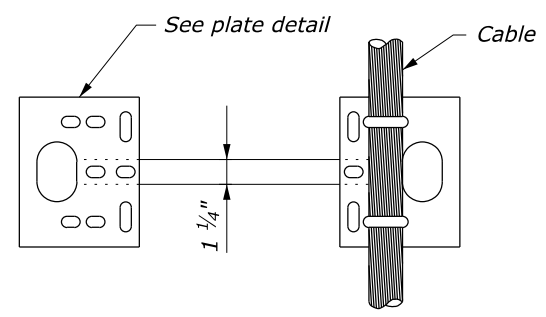


STATE	PROJECT	SHEET NUMBER
ST	PROJECT NUMBER PROJECT NAME	

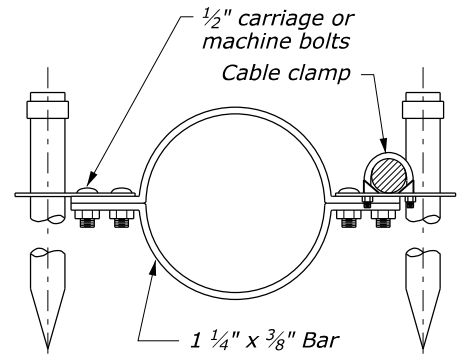
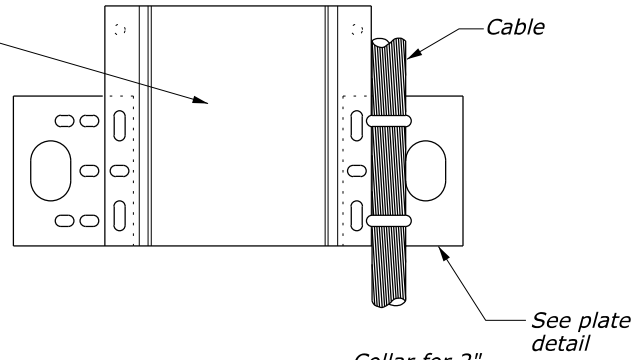


NOTE:

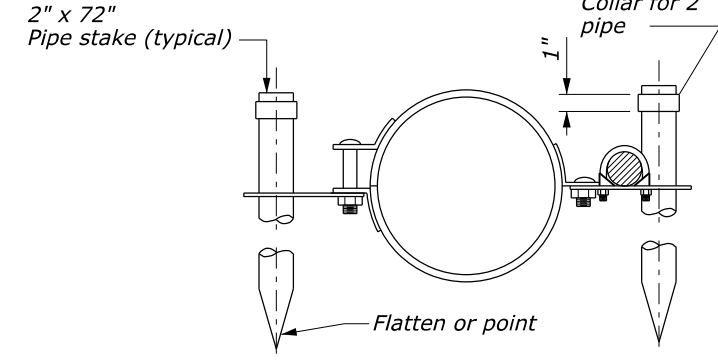
1. Furnish metal pipe culvert, elbows and coupling bands according to Section 602.
2. Furnish riprap for protective apron according to Section 251 and Detail C251-50.
3. Furnish geotextile fiber type conforming to subsection 714.01(a). See summary tables for class and type.
4. Furnish hardware galvanized according to AASHTO M111.
5. Place pipe anchor assemblies at approximately 20' (min.) intervals along rundown portion of drain pipe.
6. Other suitable pipe anchor assemblies may be used upon approval in writing by the CO.
7. The use of the hugger band is restricted to welded spiral pipe with annular end corrugations or riveted annularly corrugated pipe.
8. Metal pipe shown is typical. Steel, aluminum, and concrete pipes as indicated on the drainage summary sheet, may be used.
9. Join concrete pipe according to section 602 or other methods approved by the CO.
10. Use alternate A anchor assembly only with annular corrugations. May be placed on annular or preformed end HCSP coupling band if securely fastened on downstream band if securely fastened on downstream side of joint. Alternate B anchor assembly to be fastened to pipe sections and not to band coupler used to join sections.
11. Use gaskets on all joints along the rundown portion of drain pipe.
12. Pipe anchor assemblies will be paid for under Section 606.



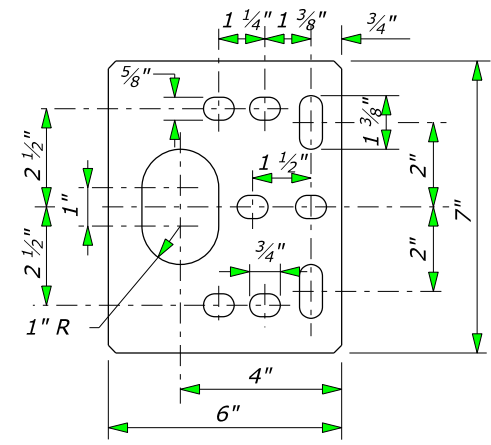
24" Annular coupling band
Helical coupling band
Two piece integral flange die formed band for H.C.S.P.



ALTERNATE A



ALTERNATE B



Material to be 1/4" plate galvanized after fabrication

PLATE DETAIL NO SCALE

PIPE ANCHOR ASSEMBLY DETAILS

U.S. DEPARTMENT OF TRANSPORTATION
FEDERAL HIGHWAY ADMINISTRATION
CENTRAL FEDERAL LANDS HIGHWAY DIVISION

CFLHD DETAIL

24" BURIED RUN DOWN AND PIPE ANCHOR ASSEMBLY

DETAIL APPROVED FOR USE
REVISOR: 08/2014 08/2020 07/2021

DETAIL
C602-51

N:\CFL-DPITV_OpenRoads_Designer_Connect\Details\C602-51.dgn [C602-51] 29 July 2021 7:13 AM

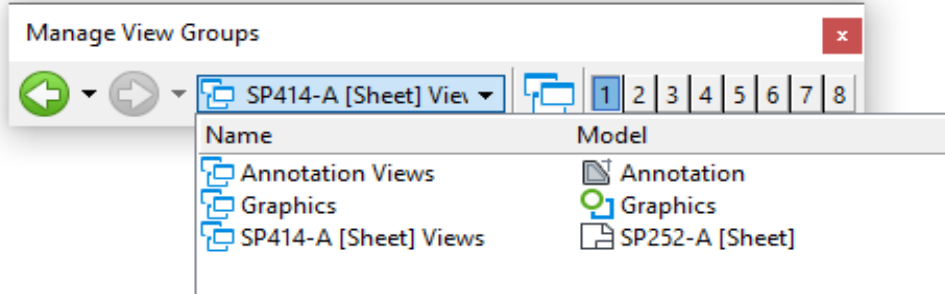
Notes to the Designer

Updated July 2021

24" Buried Run Down and Pipe Anchor Assembly

General Information

- Printing should be done from the **[Sheet]** View model



Applicable SCRs

- None

Typical Pay Item Used

- 25101-2200 Placed riprap, method B, class 2 and/or
- 25101-2300 Placed riprap, method B, class 3 and/or
- 25101-2400 Placed riprap, method B, class 4

- 60201-0800 24-inch pipe culvert
- 60210-0800 End section for 24-inch pipe culvert
- 60212-0800 Elbow, 24-inch
- 60602-0700 Pipe anchor assembly, 24-inch

Updates

- **August 2020**
 - Updated geotextile reference
- **July 2021**
 - Updated for OpenRoads Designer