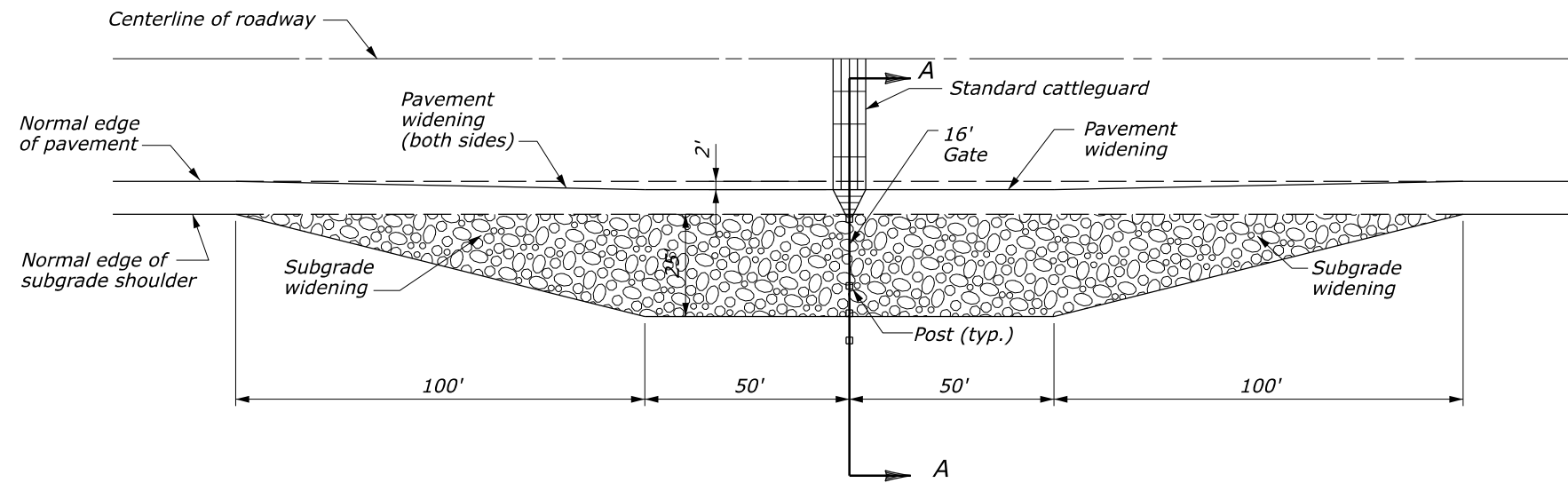


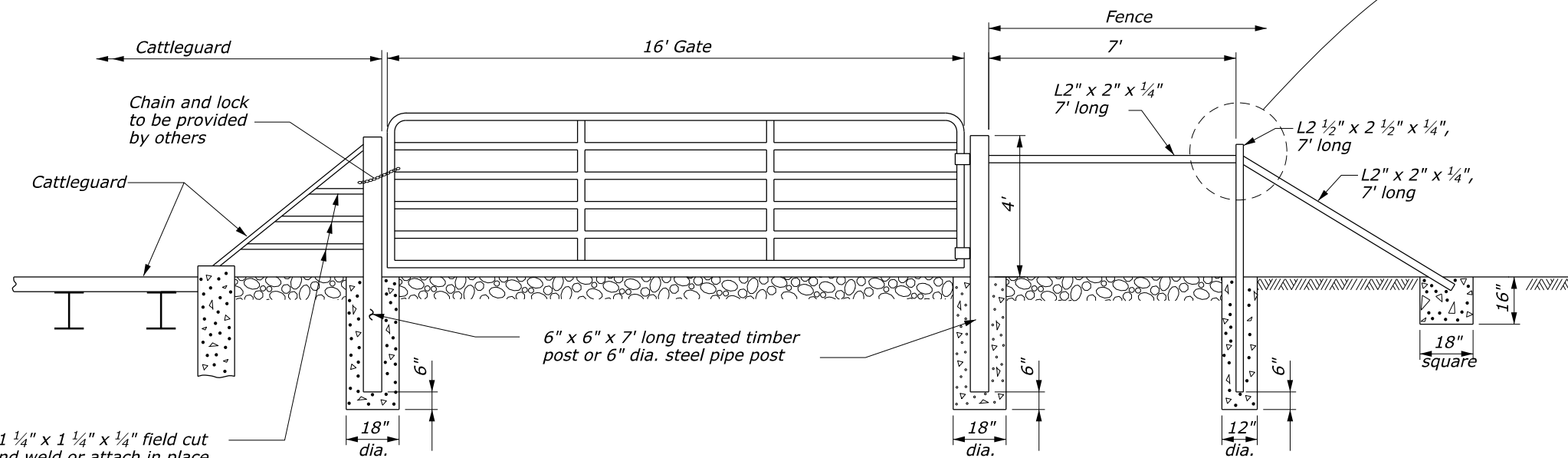
STATE	PROJECT	SHEET NUMBER
ST	PROJECT NUMBER PROJECT NAME	

NOTE:

1. Install gate post and brace panel as shown. Use 1/2" x 1" machine bolts and nuts.
2. Paint all of the fence posts and braces the same color as the gate.
3. Furnish concrete conforming to Section 601.

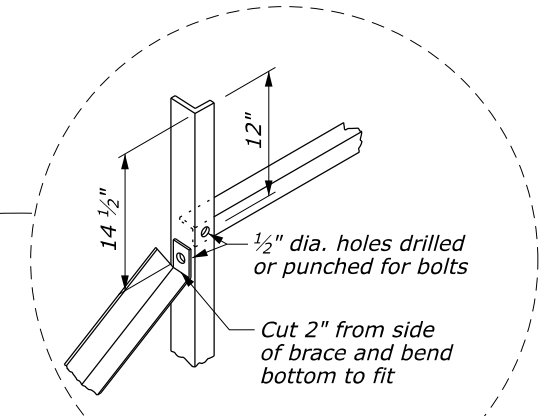


PLAN



SECTION A-A

L1 1/4" x 1 1/4" x 1/4" field cut and weld or attach in place as directed when angle iron wing guard is installed. Use appropriate fencing material when wood wing guard or aluminum tubing wing guard is installed.



NO SCALE

U.S. DEPARTMENT OF TRANSPORTATION FEDERAL HIGHWAY ADMINISTRATION CENTRAL FEDERAL LANDS HIGHWAY DIVISION	
CFLHD DETAIL	
CATTELGUARD GATE AND WIDENING	
DETAIL APPROVED FOR USE	DETAIL
REVISED: 08/2006 08/2014 08/2021	C619-52