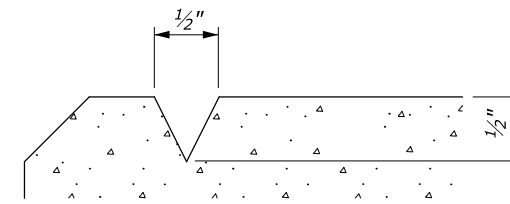
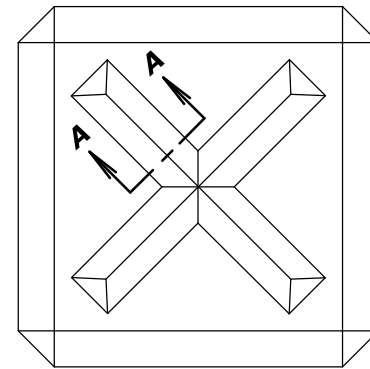
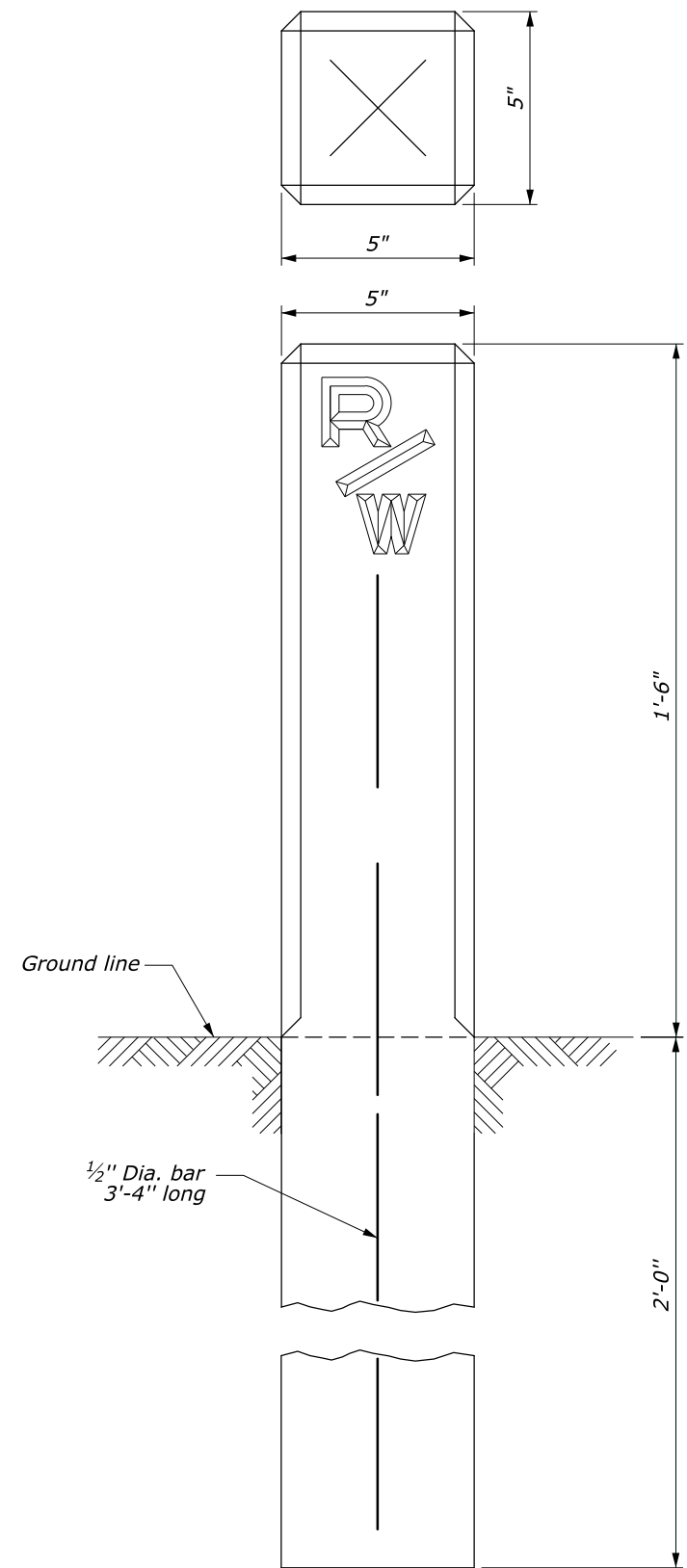
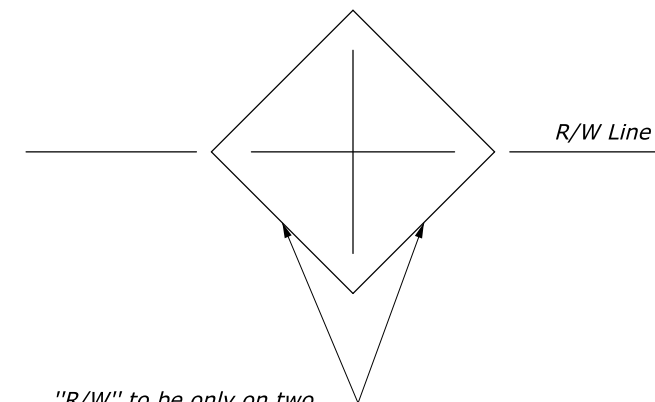
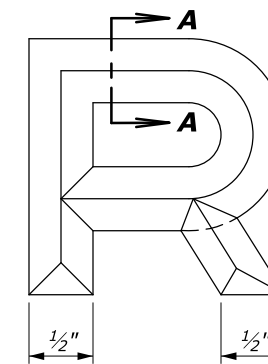
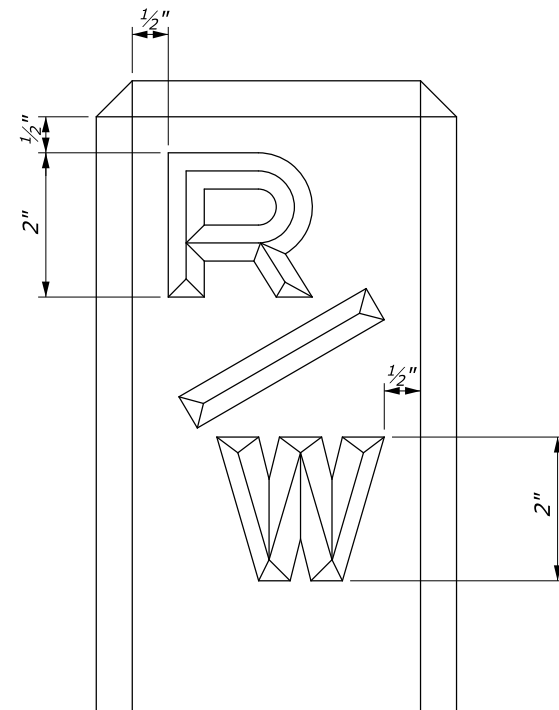


NOTE:

In entrances and yards where the monuments would be unsightly, they may be set with the top flush with the ground as approved by the CO.



SECTION A-A



NO SCALE

U.S. DEPARTMENT OF TRANSPORTATION FEDERAL HIGHWAY ADMINISTRATION OFFICE OF FEDERAL LANDS HIGHWAY	
EFLHD DETAIL	
RIGHT-OF-WAY MARKER	
DETAIL APPROVED FOR USE APPROVED: MAY 2011 REVISED: SEPTEMBER 2020	DETAIL E621-01