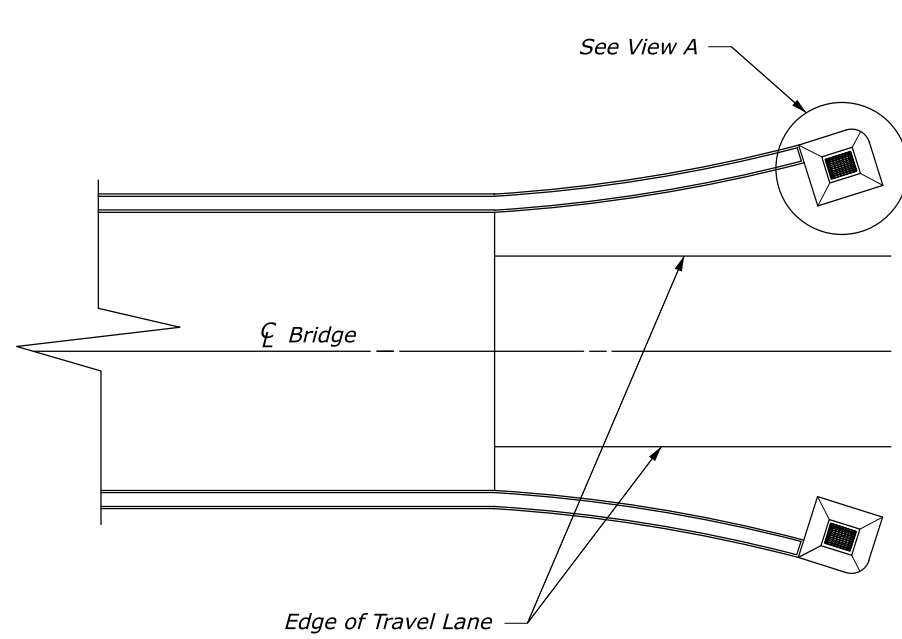
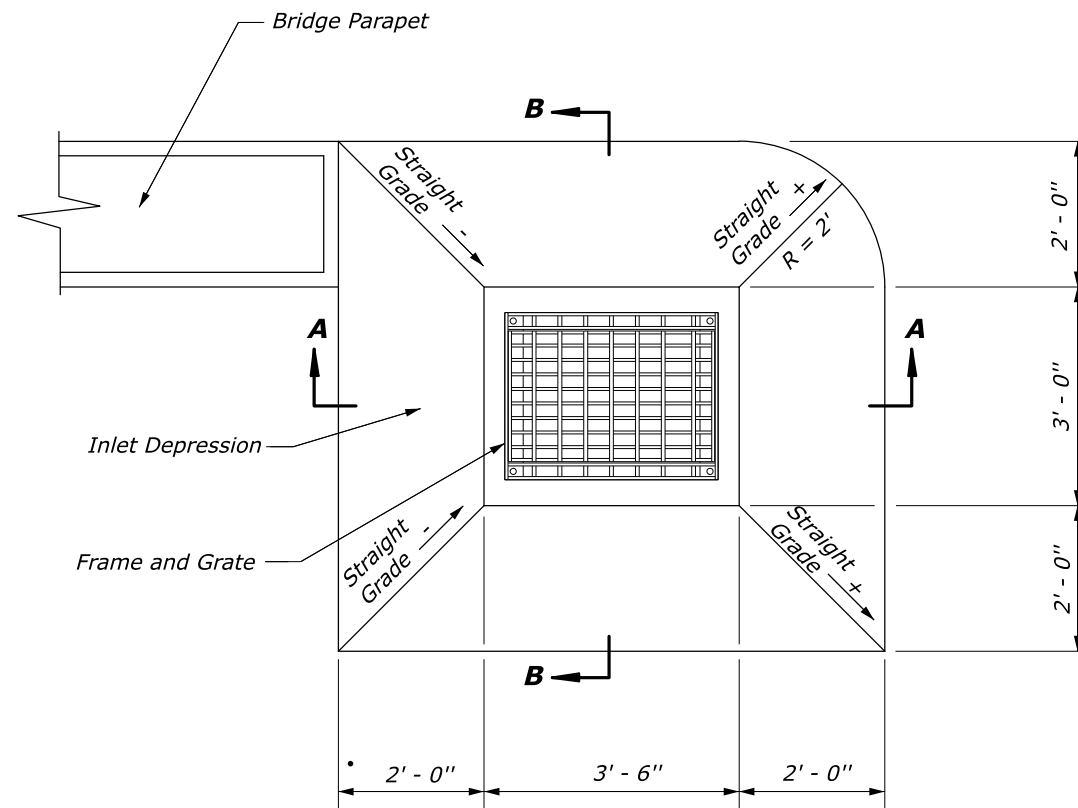


STATE	PROJECT	SHEET NUMBER

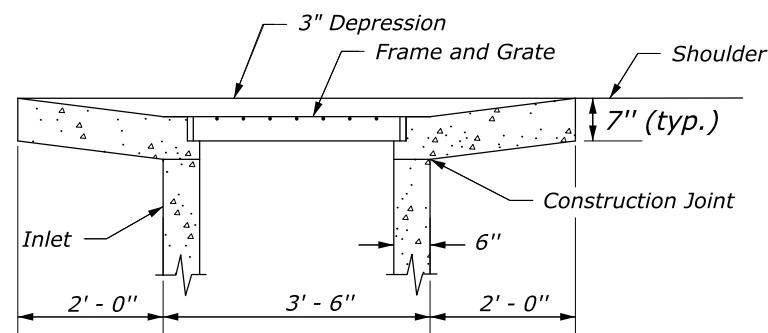
NOTE:
See Standards 604-5 and 604-6 for drop inlet and frame and grate details.



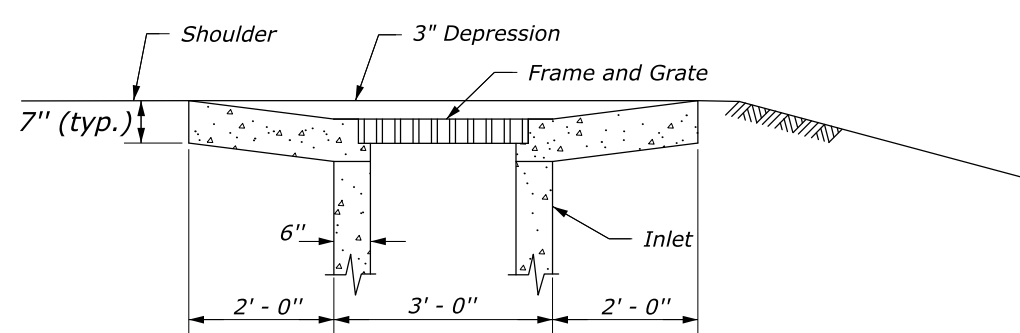
PLAN



VIEW A



SECTION A-A



SECTION B-B

NO SCALE

U.S. DEPARTMENT OF TRANSPORTATION FEDERAL HIGHWAY ADMINISTRATION OFFICE OF FEDERAL LANDS HIGHWAY	
EFLHD DETAIL	
INLET, TYPE 5A MODIFIED	
DETAIL APPROVED FOR USE	DETAIL
APPROVED: MAY 2011	E604-03
REVISED: SEPTEMBER 2020	