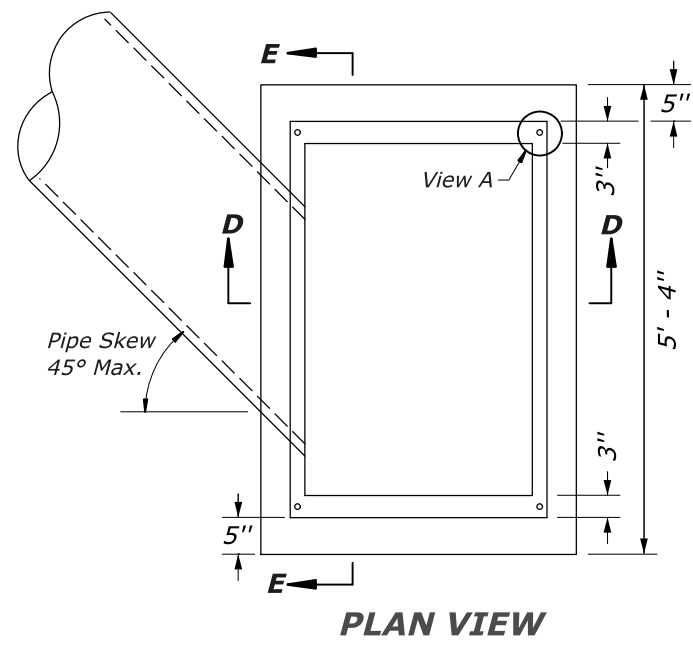
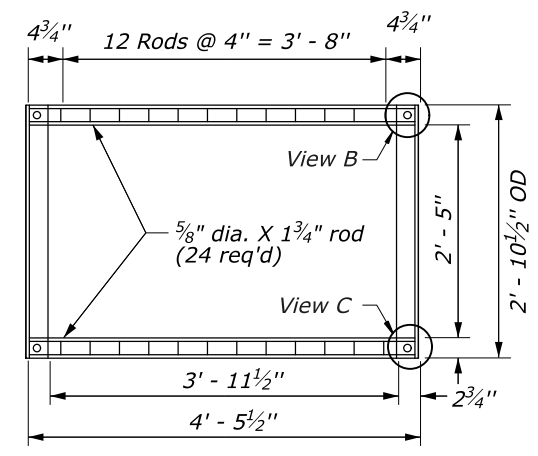


NOTES:

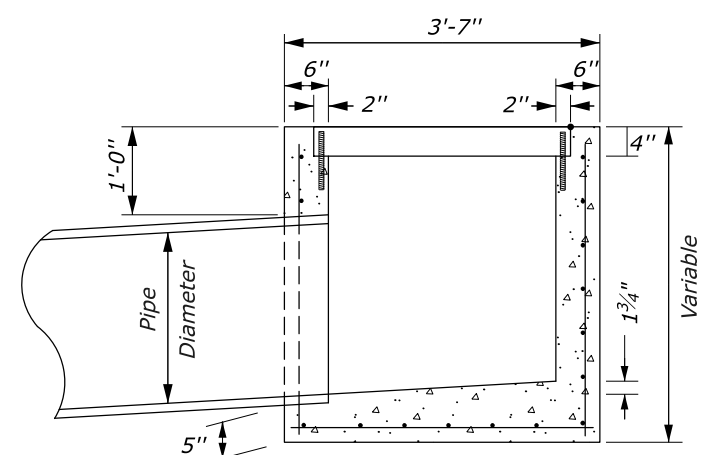
1. Furnish #5 reinforcing bars, placed 1½ inches minimum from face of concrete.
2. In floors, place bars on 6-inch centers each way. In walls, place horizontal bars on 6-inch centers and vertical bars on 12-inch centers.
3. Provide metal parts for the frame and grate that are hot dipped galvanized after fabrication. Furnish steel frame and grate.



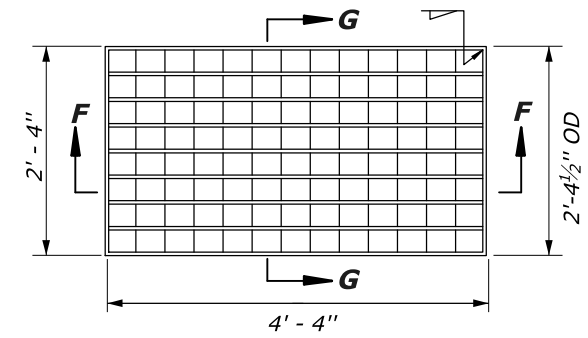
PLAN VIEW



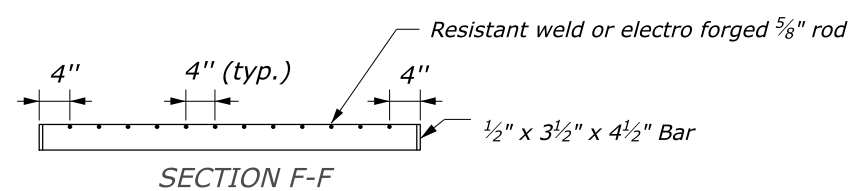
GRATE FRAME



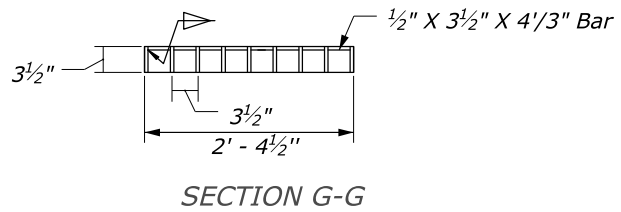
SECTION D-D



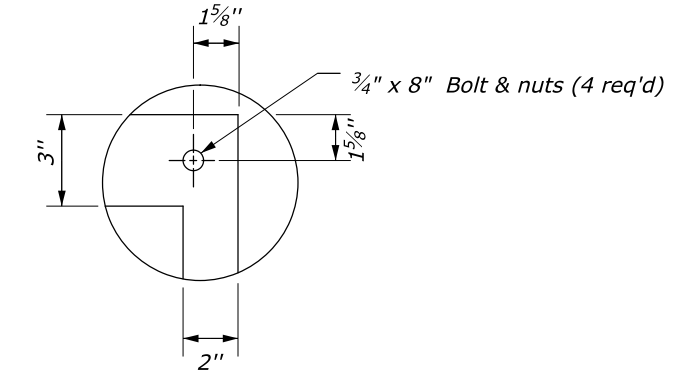
GRATE



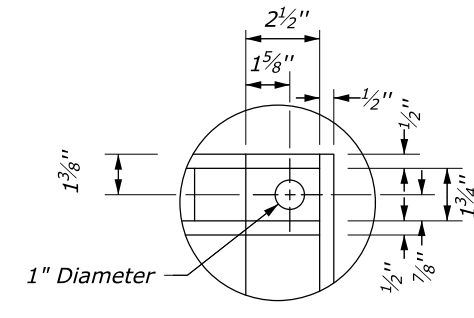
SECTION F-F



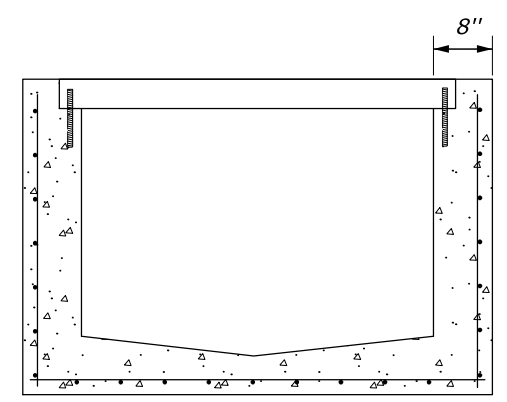
SECTION G-G



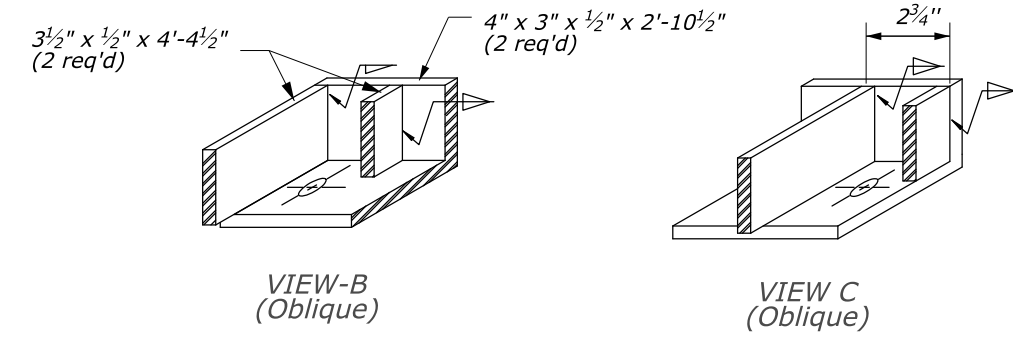
VIEW-A



VIEW-B



SECTION E-E



VIEW-B (Oblique)

VIEW C (Oblique)

U.S. DEPARTMENT OF TRANSPORTATION FEDERAL HIGHWAY ADMINISTRATION OFFICE OF FEDERAL LANDS HIGHWAY	
EFLHD DETAIL	
INLET, TYPE 5B	
DETAIL APPROVED FOR USE APPROVED: MAY 2011 REVISED: SEPTEMBER 2020	DETAIL E604-04

NO SCALE