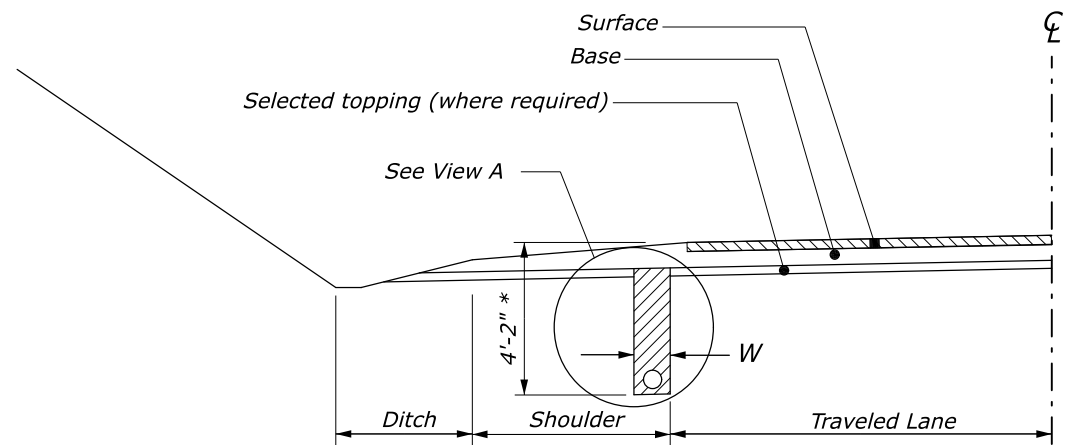
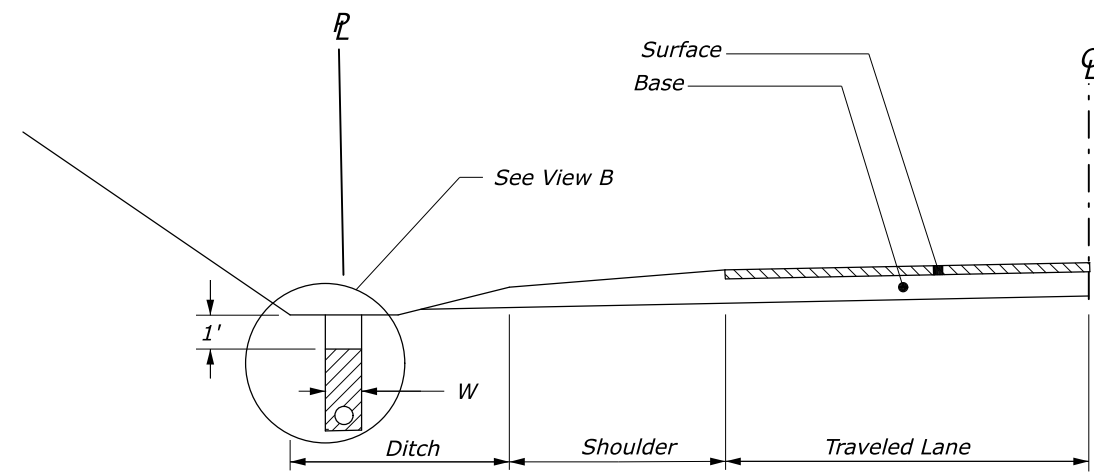


**NOTES:**

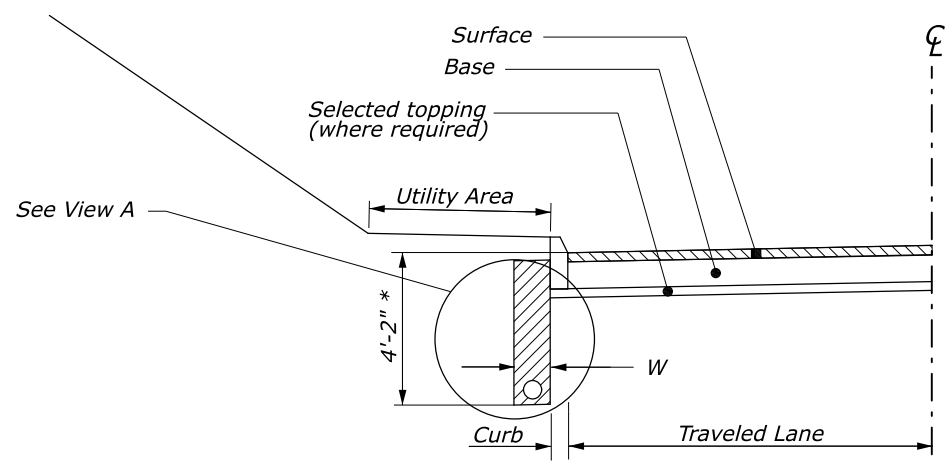
1. Location of pipe underdrain may be adjusted as approved by the CO.
2. Ensure minimum grade of underdrain is 0.5 percent.



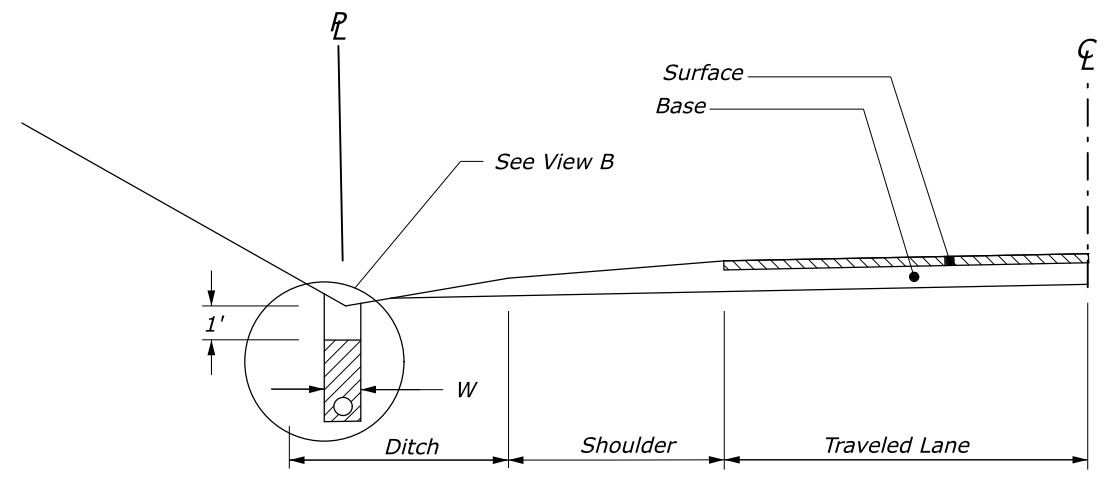
**SHOULDER**



**FLAT BOTTOM DITCH**

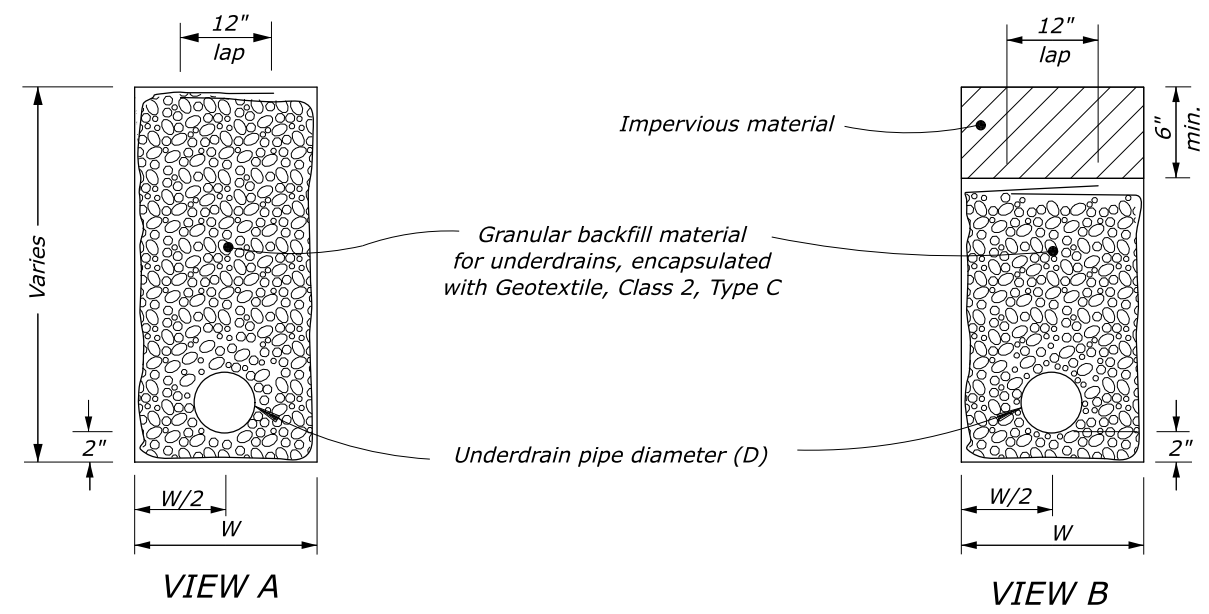


**CURB AND GUTTER**



**VEE DITCH**

\* Adjust depth to meet field conditions as approved by the CO.



DIAMETER (D)	MINIMUM WIDTH (W)
4"	12"
6"	15"

NO SCALE

U.S. DEPARTMENT OF TRANSPORTATION  
 FEDERAL HIGHWAY ADMINISTRATION  
 OFFICE OF FEDERAL LANDS HIGHWAY

EFLHD DETAIL

**UNDERDRAIN, FOR PAVEMENT AND DITCHES**

DETAIL APPROVED FOR USE  
 APPROVED: MAY 2011  
 REVISED: SEPTEMBER 2020

DETAIL  
 E605-01