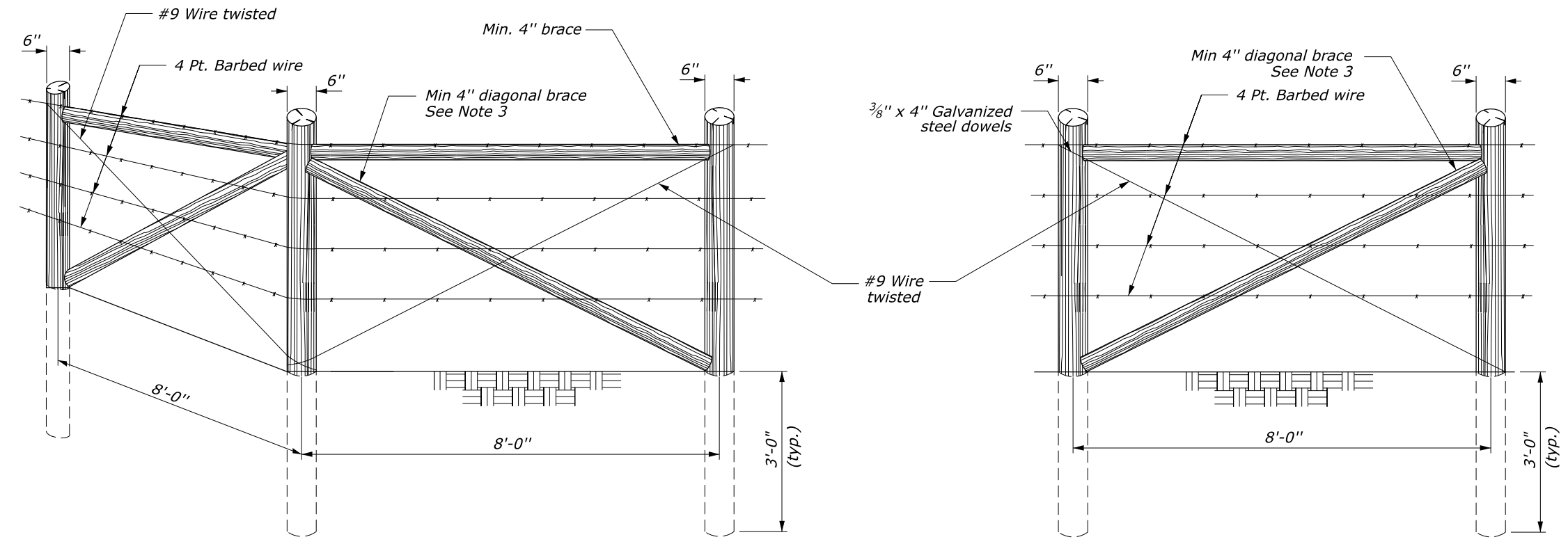


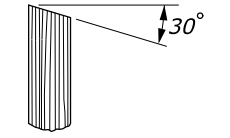
BARBED WIRE FENCE WITH WOOD GATE

FENCE GROUNDING



CORNER BRACE
(To be used when corner is 15° or more)

LINE BRACE
(Maximum spacing 500')
To be used when vertical alignment changes 15° or more



METHOD OF CUTTING POST TOPS

NOTES:

1. Install fence and gates at locations shown in the plans or as directed by the CO.
2. Refer to the plans for the gate width.
3. Place diagonal 4-inch brace in direction of pull. Notch posts for the 4-inch diagonal braces. Place 2 galvanized 12d nails at each end of the diagonal 4-inch braces.

NO SCALE

U.S. DEPARTMENT OF TRANSPORTATION FEDERAL HIGHWAY ADMINISTRATION OFFICE OF FEDERAL LANDS HIGHWAY	
EFLHD DETAIL	
FENCE, BARBED WIRE	
DETAIL APPROVED FOR USE APPROVED: MAY 2011 REVISED: SEPTEMBER 2020	DETAIL E619-02