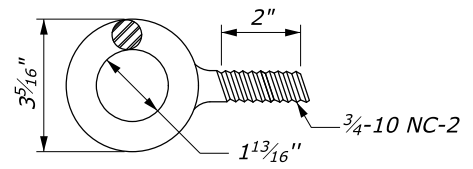
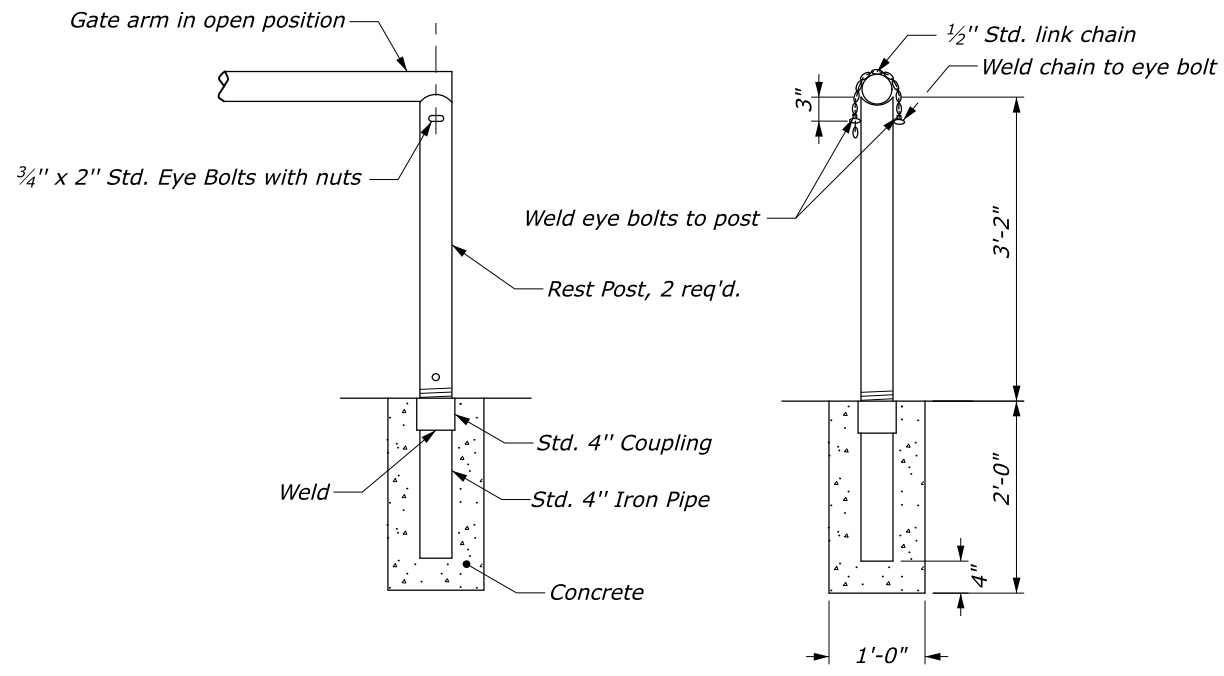


**DETAIL D**  
 (BOTTOM HANGER)

**ELEVATION**



**STD. EYE BOLT DETAIL**



**REST POST DETAIL**

**NOTES:**

1. Close top end of Rest Posts with 1/4-inch diameter by 1/8-inch thick steel plate, form to fit and weld in place.
2. Paint gates and posts either alternating black and reflectorized white 4-inch stripes at 45° or use galvanized metal parts, as directed by CO.
3. Mount one "Road Closed" sign on gates as shown. Center the sign over the lane carrying the incoming traffic.

U.S. DEPARTMENT OF TRANSPORTATION FEDERAL HIGHWAY ADMINISTRATION OFFICE OF FEDERAL LANDS HIGHWAY	
EFLHD DETAIL	
<b>METAL GATE 30 FEET</b>	
DETAIL APPROVED FOR USE APPROVED: MAY 2011 REVISED: SEPTEMBER 2020	DETAIL E619-06

NO SCALE

M:\Standards\_and\_Details\EFLHD\_Detail Drawings\FP-14\FP-14\_ORD\_Version\ORD\_Ready\Section-619\st61906\_detail.dgn [Sheet] 3 February 2021 9:14 PM