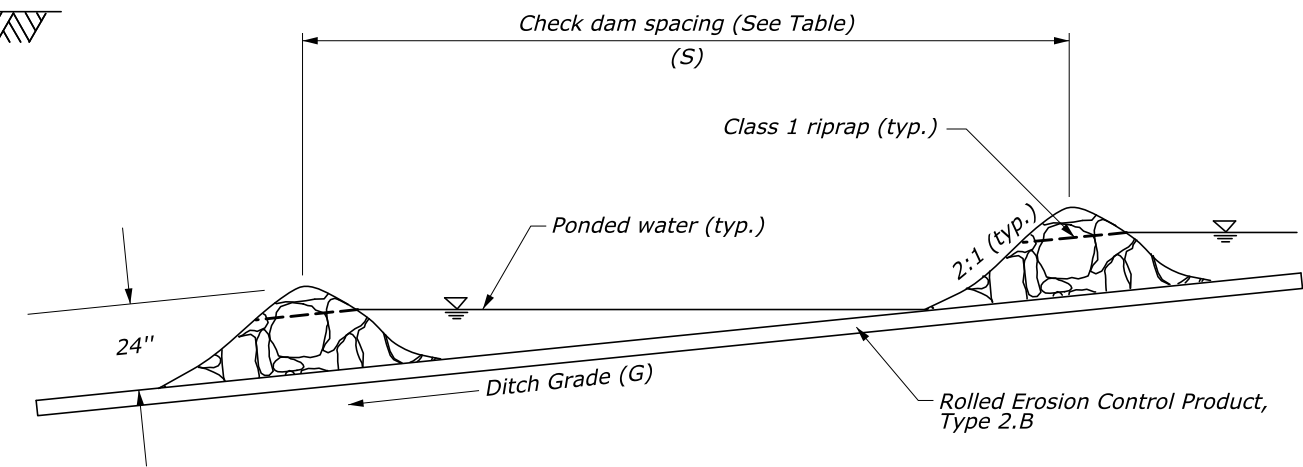
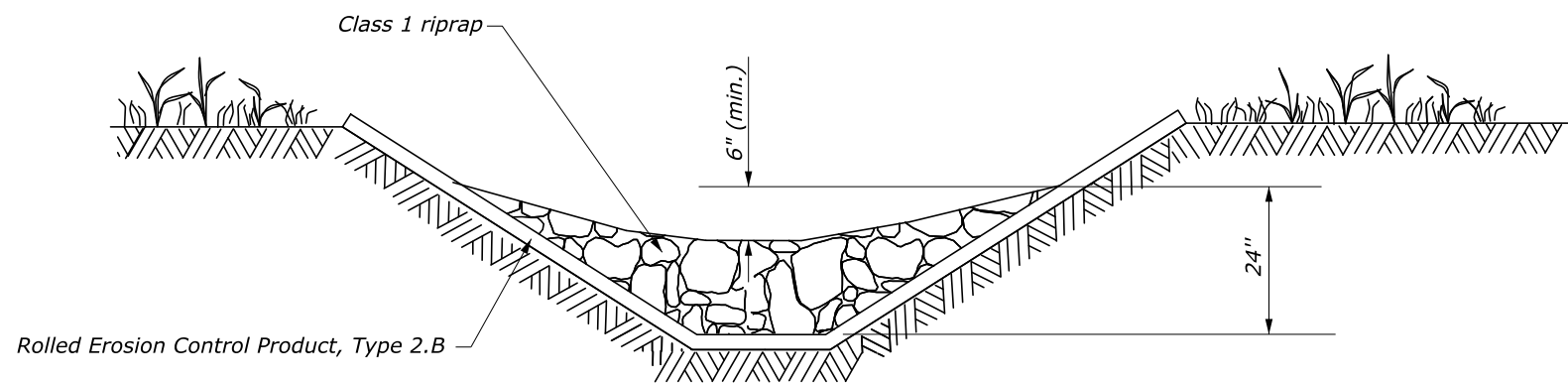


V DITCH



DITCH PROFILE VIEW



TRAPEZOIDAL DITCH

DITCH CROSS SECTION VIEW

CHECK DAM SPACING TABLE	
DITCH GRADE (G)*	SPACING (S) LNFT
2%	75
3%	50
4%	40
5%	30
6%	25

* Do not use Check Dams below 2% or above 6% ditch grades.

NO SCALE

U.S. DEPARTMENT OF TRANSPORTATION FEDERAL HIGHWAY ADMINISTRATION EASTERN FEDERAL LANDS HIGHWAY DIVISION	
U.S. CUSTOMARY DETAIL	
CHECK DAM WITH ROLLED EROSION CONTROL PRODUCT	
DETAIL APPROVED FOR USE	DETAIL
APPROVED: MARCH 2015 REVISED: MARCH 2018	E157-06