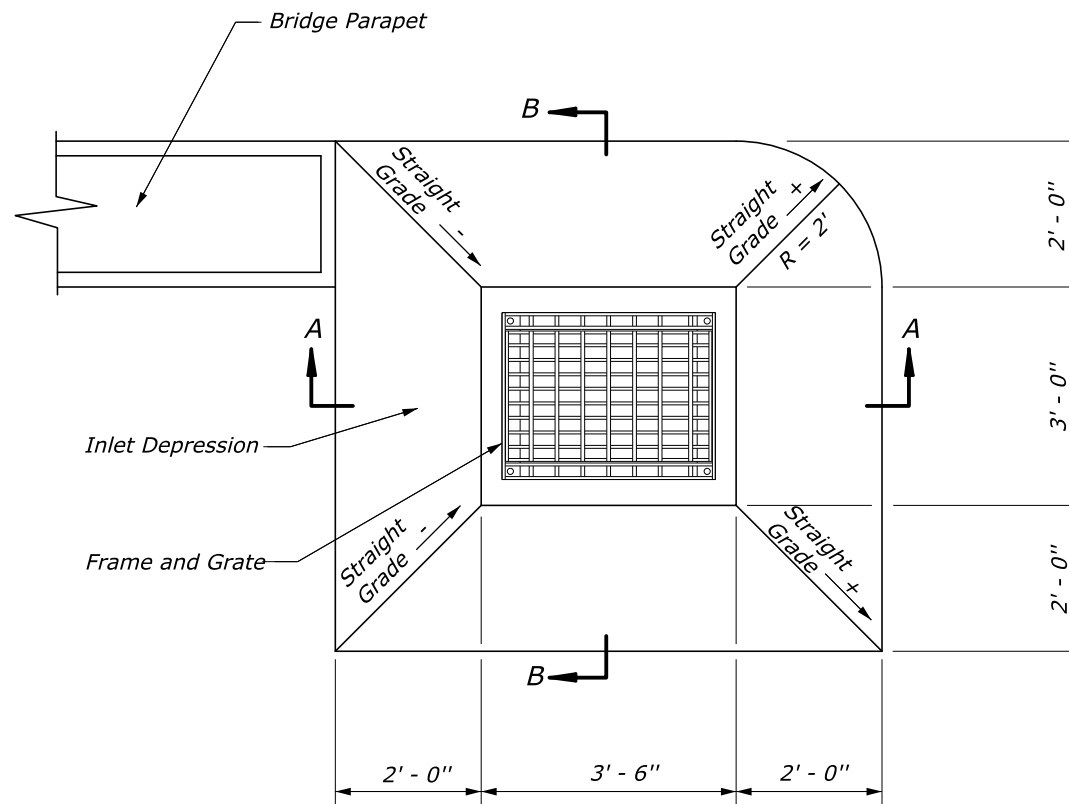
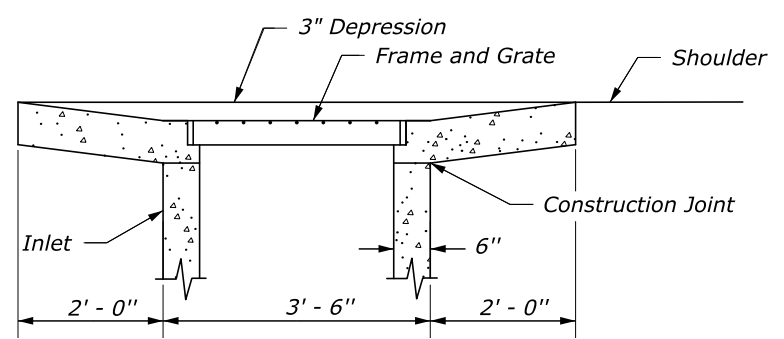


PLAN

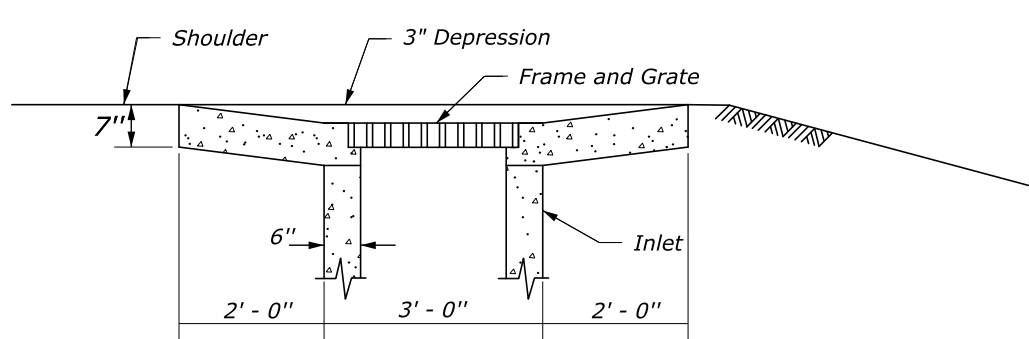


DETAIL A

Note:
1. See Standards 604-5 and 604-6 for drop inlet and frame and grate details.



SECTION A-A



SECTION B-B

NO SCALE

U.S. DEPARTMENT OF TRANSPORTATION FEDERAL HIGHWAY ADMINISTRATION EASTERN FEDERAL LANDS HIGHWAY DIVISION	
U.S. CUSTOMARY DETAIL	
INLET, TYPE 5A MODIFIED	
DETAIL APPROVED FOR USE	DETAIL
APPROVED: MAY 2011 REVISED: SEPTEMBER 2014	E604-03

01-Dec-2014 10:14 AM \$TIME\$ H:\Team_Folders\VIDU\VP_14_Detail_Review\ALL_FPI4_DGN\60403_detail.dgn