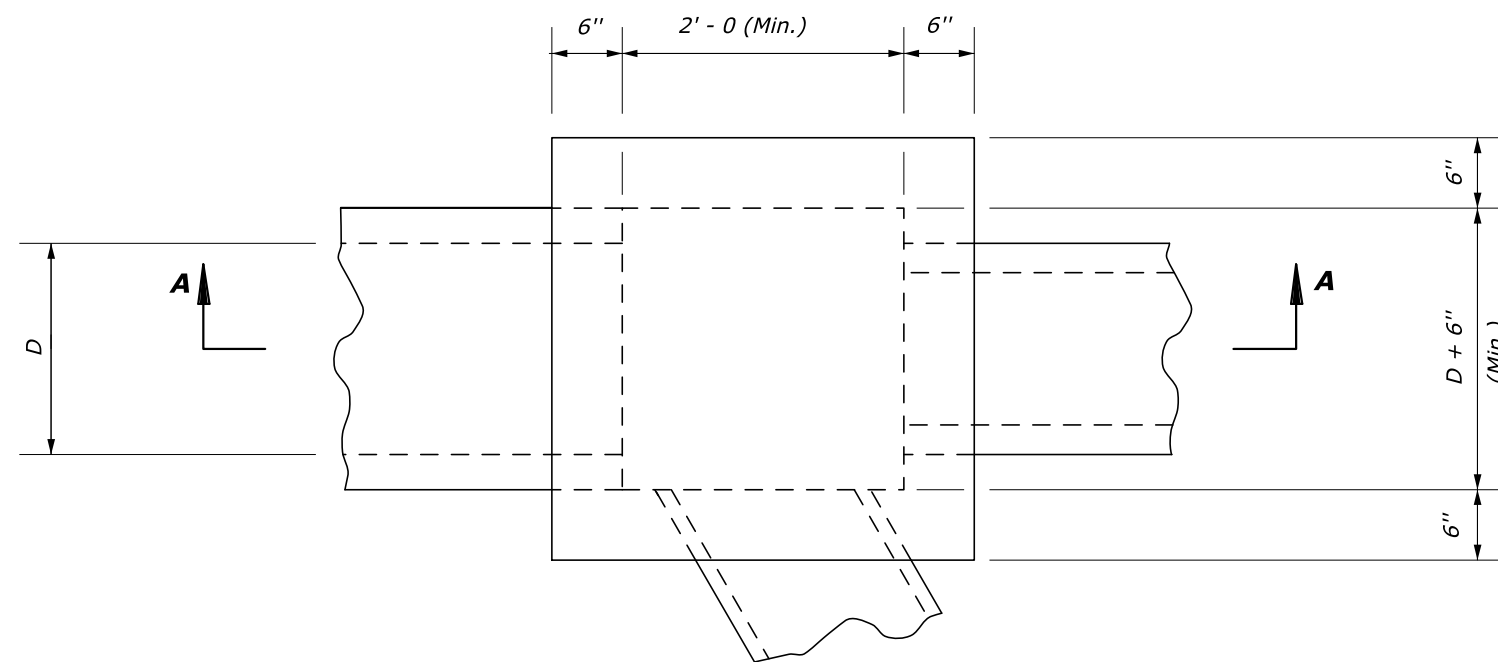
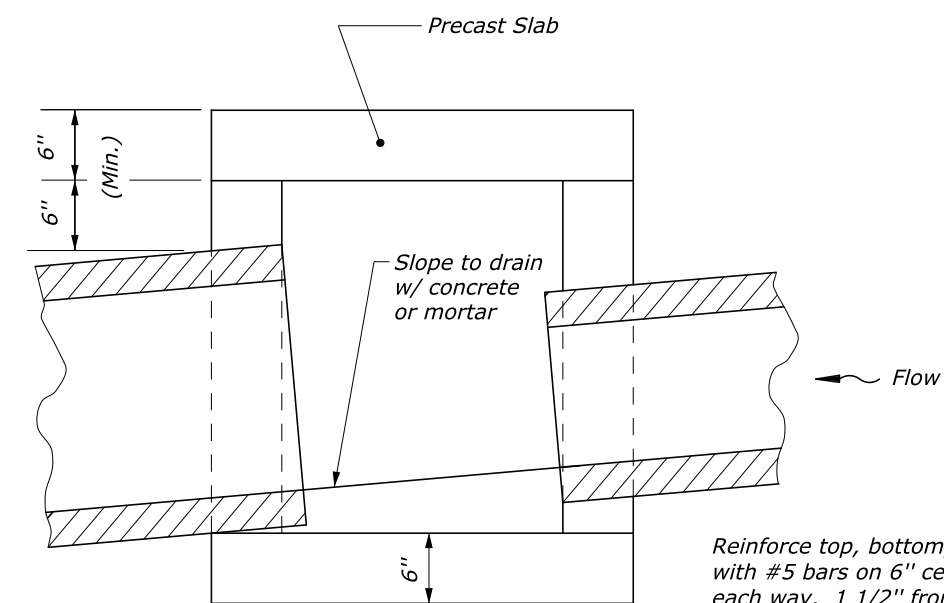


Note:

1. At the option of the Contractor, walls less than 4 feet may be of concrete or concrete block.



PLAN



SECTION A-A

NO SCALE

U.S. DEPARTMENT OF TRANSPORTATION FEDERAL HIGHWAY ADMINISTRATION EASTERN FEDERAL LANDS HIGHWAY DIVISION	
U.S. CUSTOMARY DETAIL	
JUNCTION BOX	
DETAIL APPROVED FOR USE	DETAIL
APPROVED : MAY 2011 REVISED: SEPTEMBER 2014	E604-06