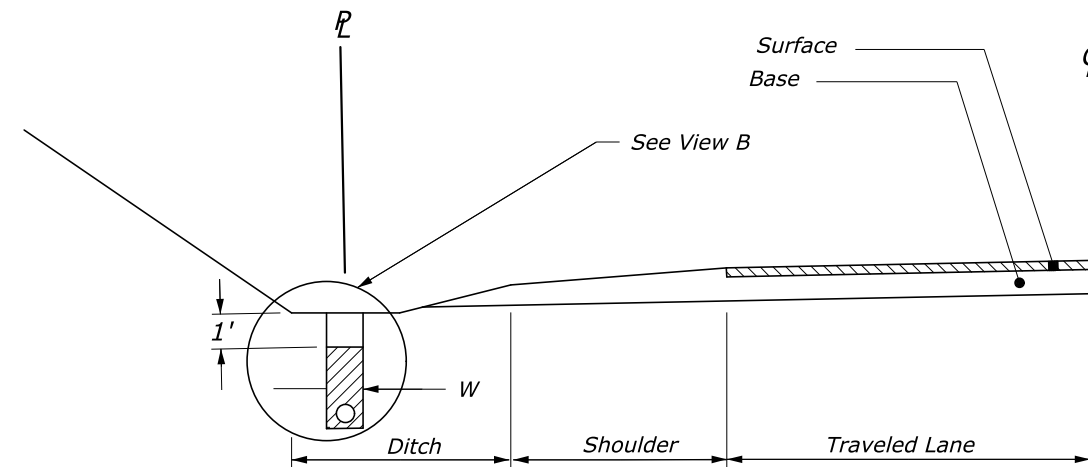
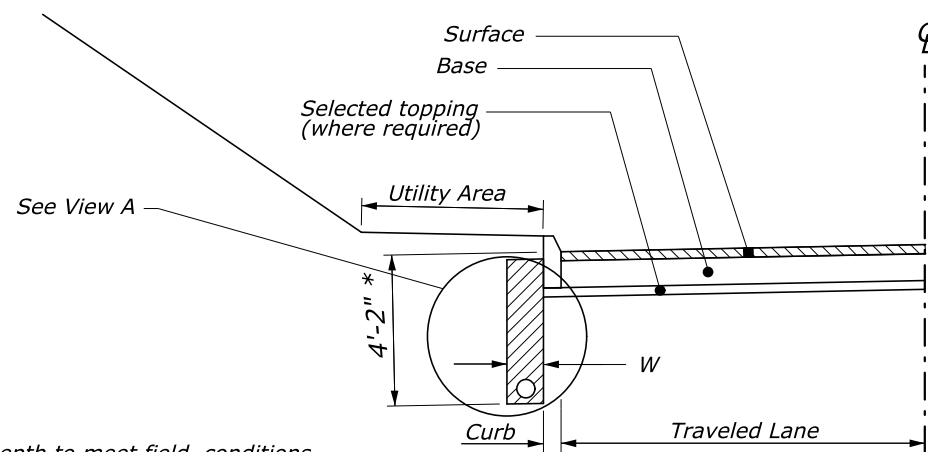


**SHOULDER**

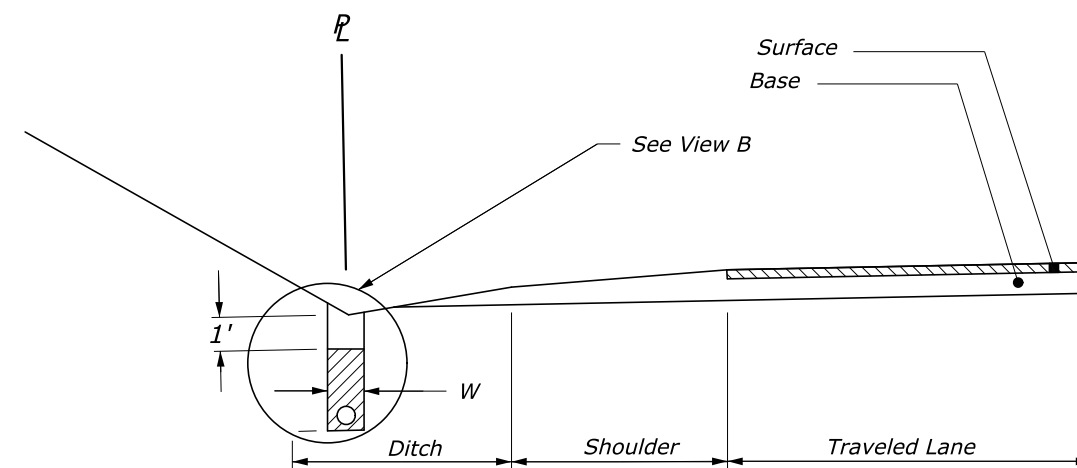


**FLAT BOTTOM DITCH**



\* Adjust depth to meet field conditions as approved by the CO

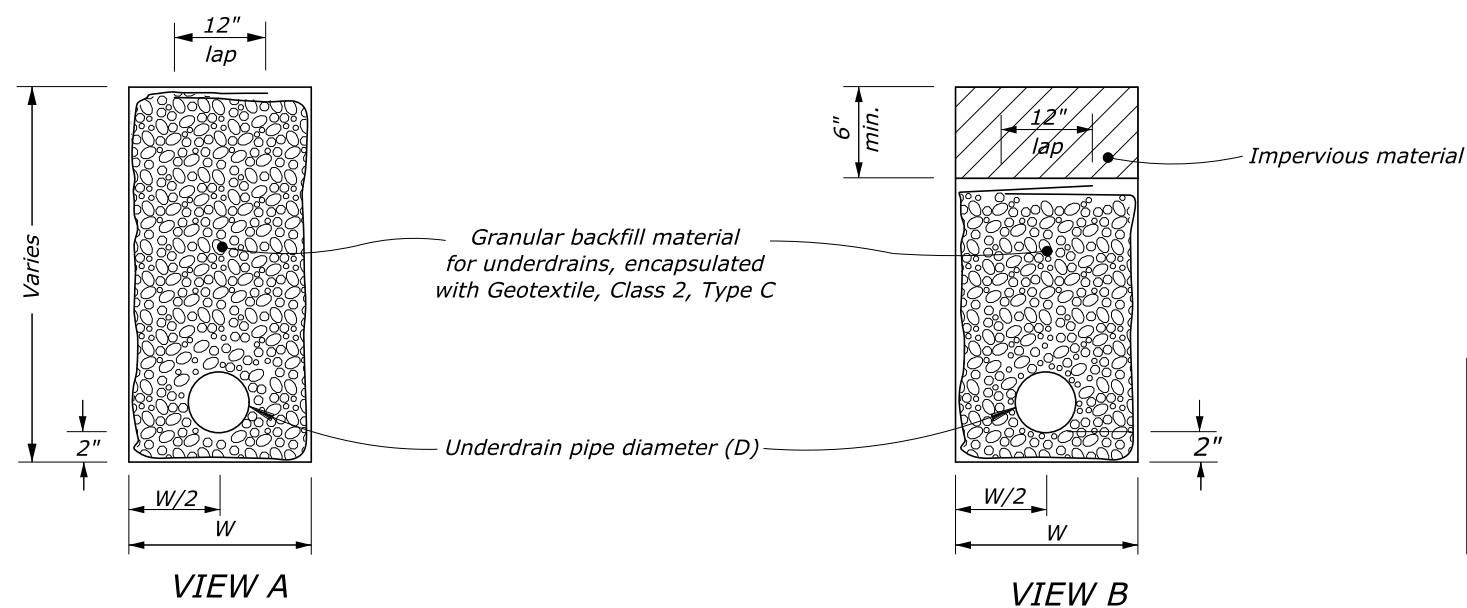
**CURB AND GUTTER**



**VEE DITCH**

**NOTES:**

1. Location of pipe underdrains may be adjusted as approved by the CO.
2. Ensure minimum grade of underdrain is 0.5 percent.



DIAMETER (D)	MINIMUM WIDTH (W)
4"	12"
6"	15"

NO SCALE

U.S. DEPARTMENT OF TRANSPORTATION FEDERAL HIGHWAY ADMINISTRATION EASTERN FEDERAL LANDS HIGHWAY DIVISION	
U.S. CUSTOMARY DETAIL	
<b>UNDERDRAIN, FOR PAVEMENT AND DITCHES</b>	
DETAIL APPROVED FOR USE APPROVED: MAY 2011 REVISED: JANUARY 2021	DETAIL E605-01