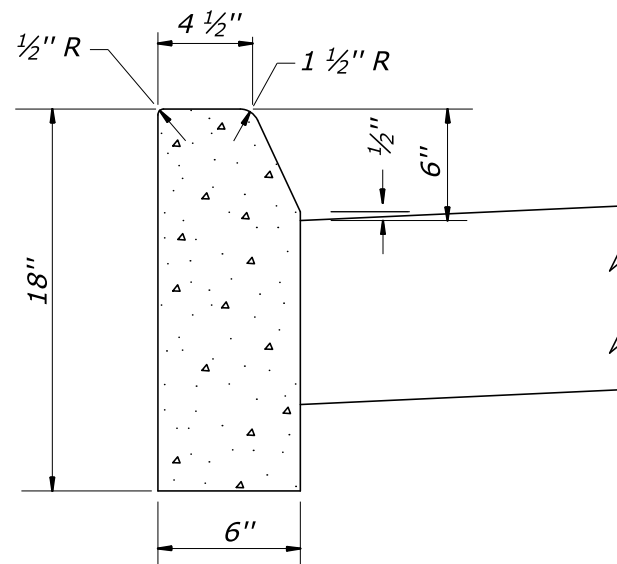
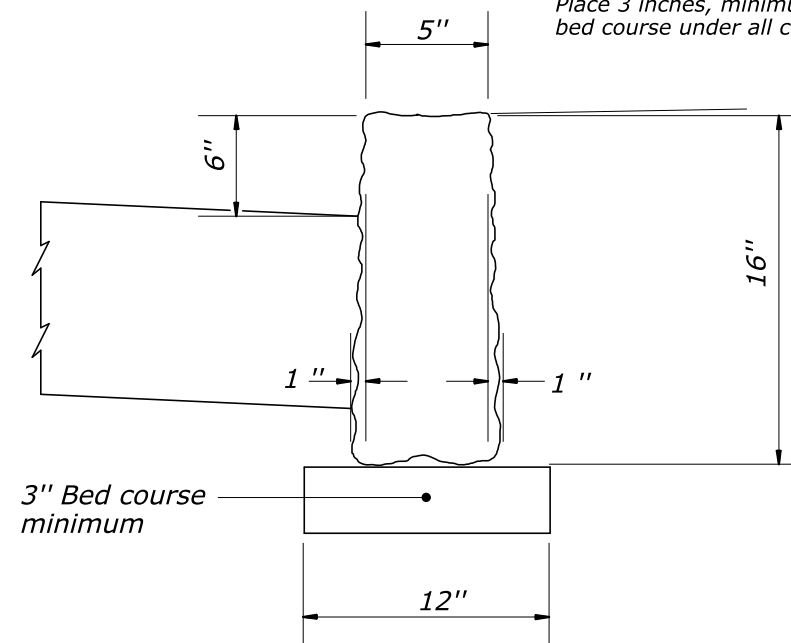


16-INCH DEPTH
(MOUNTABLE)



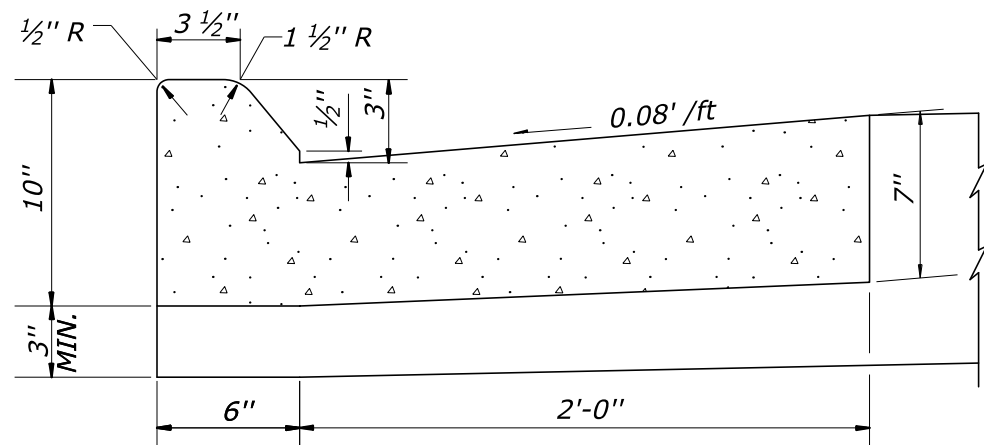
18-INCH DEPTH
(NON-MOUNTABLE)



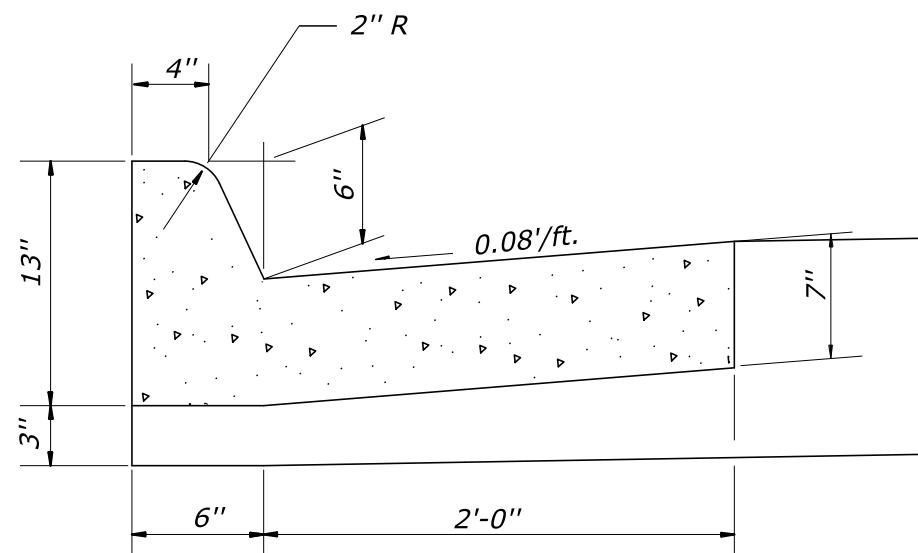
STONE CURB
16-INCH DEPTH
(NON-MOUNTABLE)

NOTE:
Place 3 inches, minimum aggregate bed course under all curb and gutter.

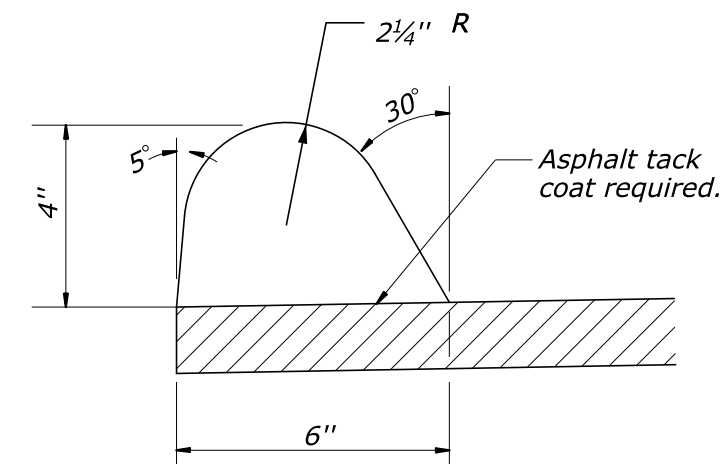
PORTLAND CEMENT CONCRETE CURB



10-INCH DEPTH
(MOUNTABLE)



13-INCH DEPTH
(NON-MOUNTABLE)



ASPHALT CONCRETE CURB
4-INCH DEPTH
(NON-MOUNTABLE)

Asphalt tack coat may be rapid curing liquid asphalt or emulsified asphalt.

PORTLAND CEMENT CONCRETE CURB AND GUTTER

NO SCALE

U.S. DEPARTMENT OF TRANSPORTATION FEDERAL HIGHWAY ADMINISTRATION EASTERN FEDERAL LANDS HIGHWAY DIVISION	
U.S. CUSTOMARY DETAIL	
CURBS	
DETAIL APPROVED FOR USE	DETAIL
APPROVED: MAY 2011 REVISED: JANUARY 2021	E609-01