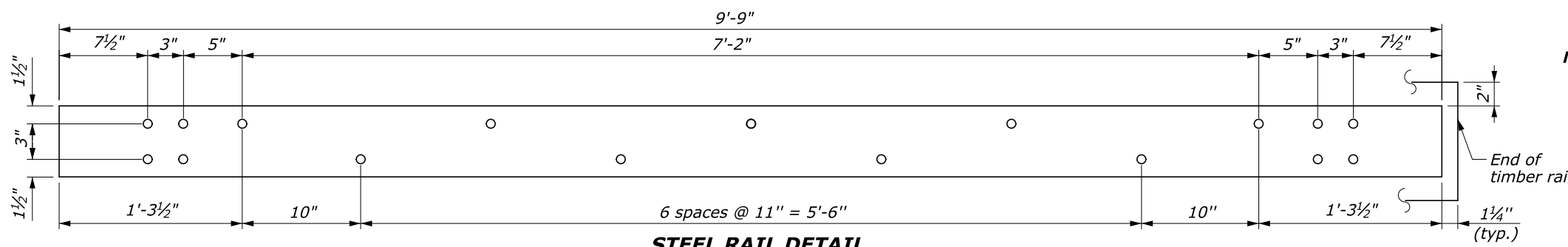
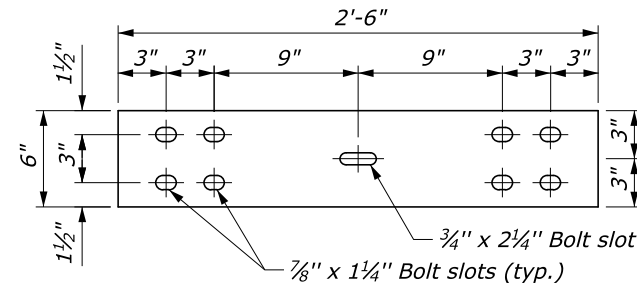
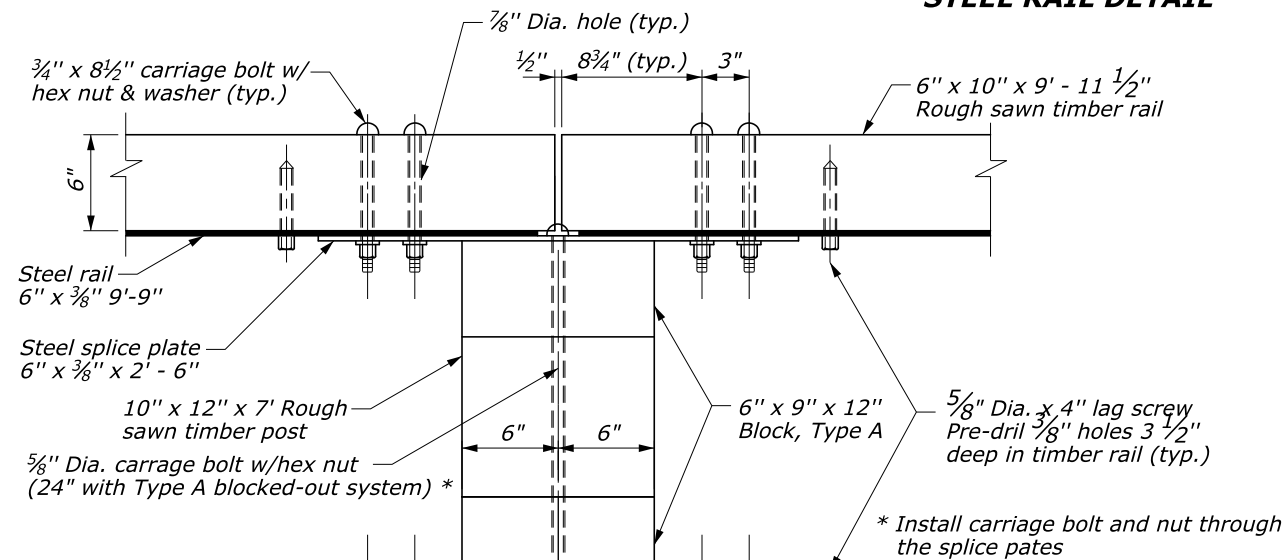


NOTES:

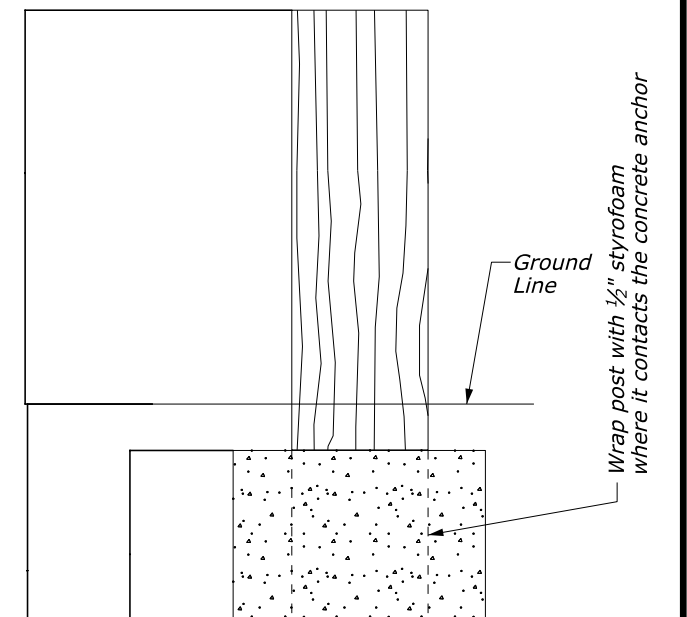
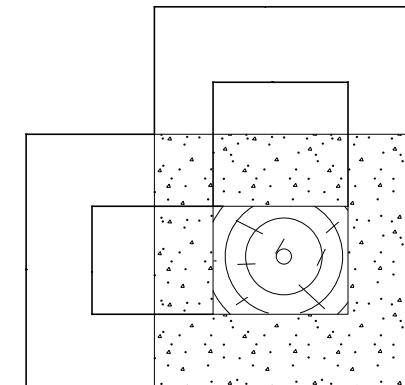
1. Use the Type A, blocked-out, system for median guardrail.
2. Use weathering steel for all structural steel and fastener hardware as specified.
3. Place a terminal section (See Standards 617-61 and 617-62) on both approach and trailing ends of median barrier installations.
4. Use no more than 3 short guardrail posts in a row.
5. In areas where the rail face is offset a minimum of 20-feet from the edge of travel lane, a maximum approach shoulder slope of 6:1 may be used.



STEEL RAIL DETAIL

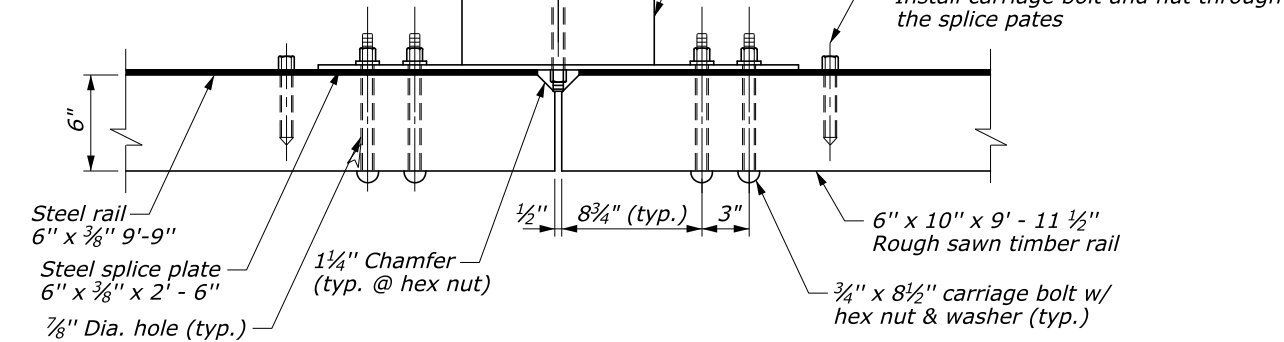


STEEL SPLICE PLATE DETAIL
6" x 3/8" x 2'-6"

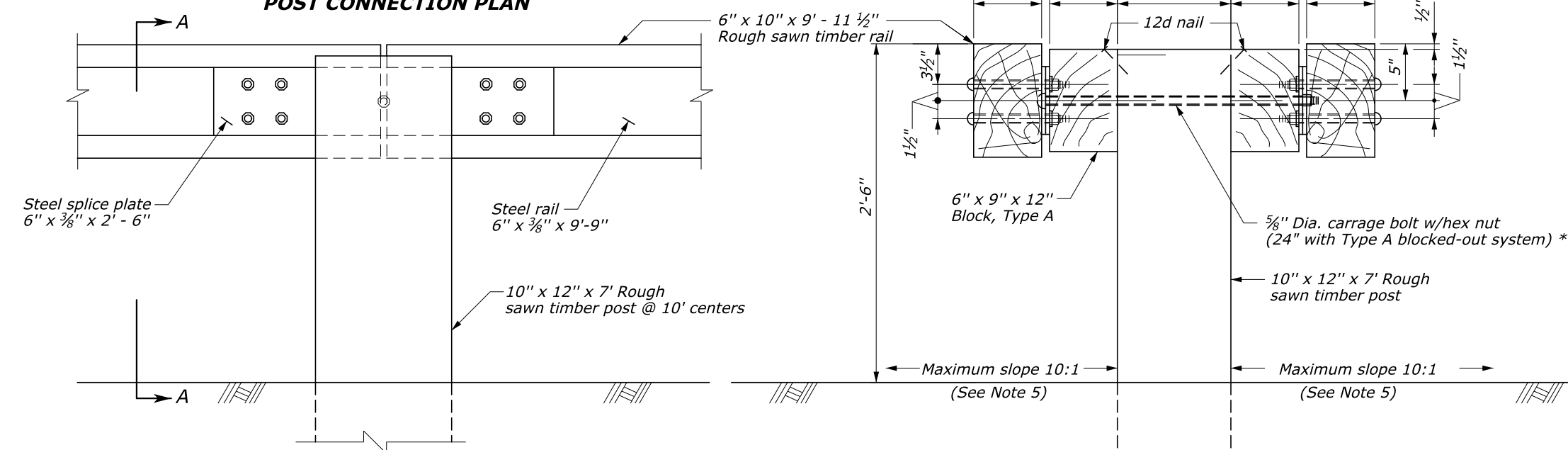


25" dia. round anchor is an acceptable alternative. Reduced size acceptable in solid rock. (See Note 4)

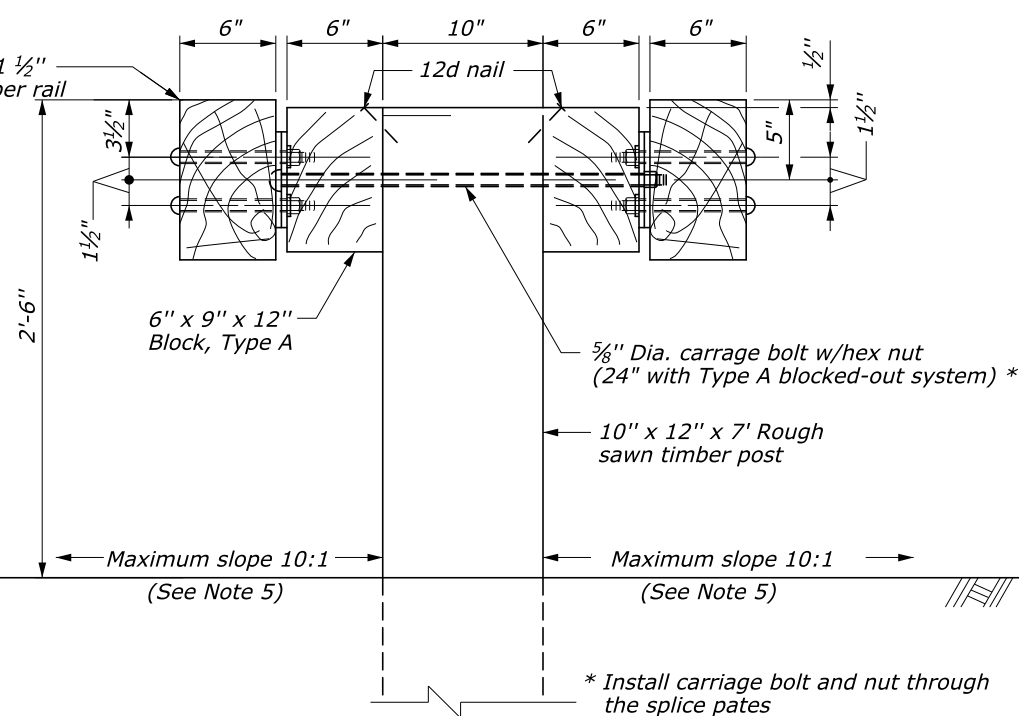
CONCRETE ANCHOR FOR SHORT GUARDRAIL ASSEMBLY



POST CONNECTION PLAN



POST CONNECTION ELEVATION (Viewing Back of Rail)



SECTION A-A

* Install carriage bolt and nut through the splice plates

No Scale

U.S. DEPARTMENT OF TRANSPORTATION FEDERAL HIGHWAY ADMINISTRATION EASTERN FEDERAL LANDS HIGHWAY DIVISION	
U.S. CUSTOMARY DETAIL	
MEDIAN STEEL-BACKED TIMBER GUARDRAIL TYPE A	
DETAIL APPROVED FOR USE	DETAIL
APPROVED: MAY 2011 REVISED: SEPTEMBER 2014	E617-70