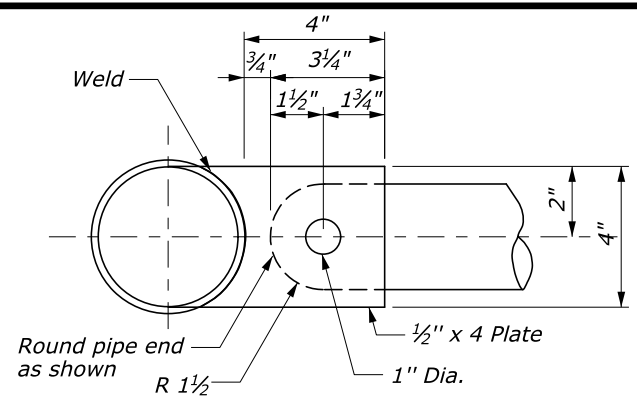
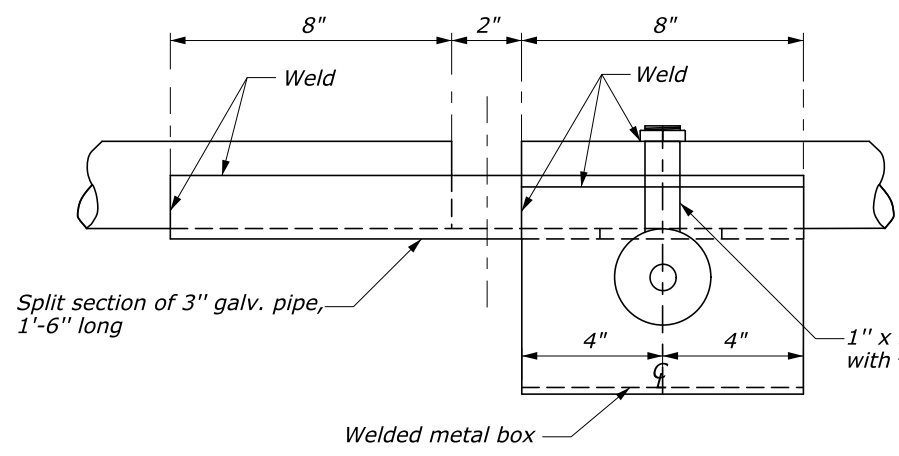


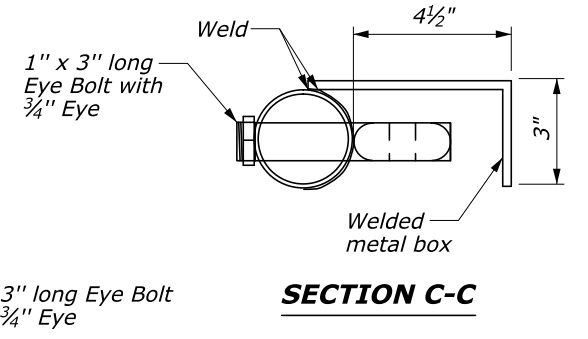
**DETAIL "D"**  
(BOTTOM HANGER)



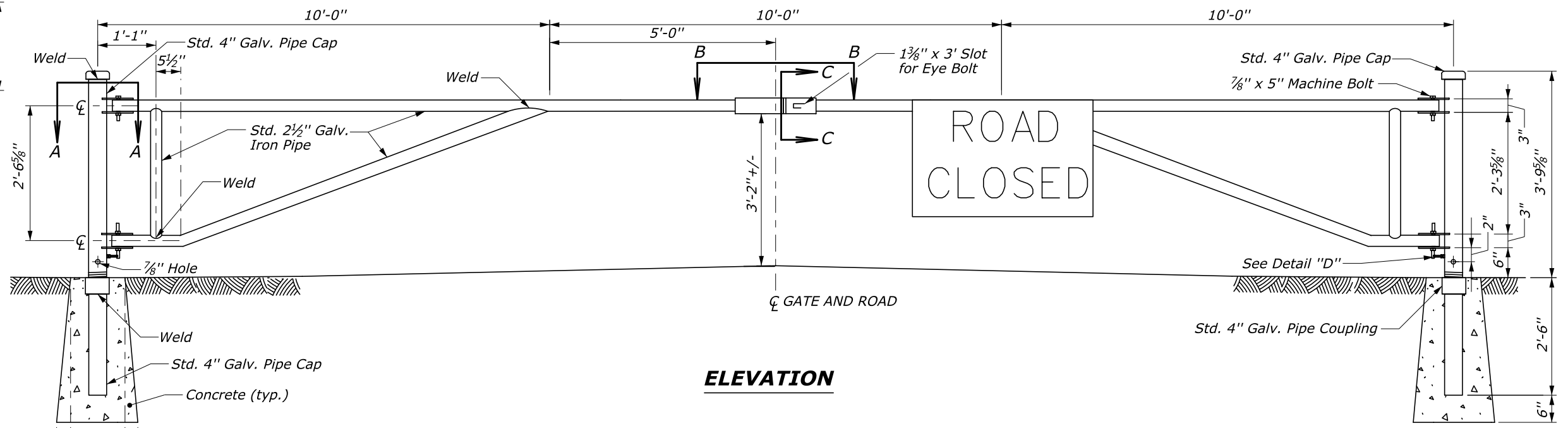
**SECTION A-A**  
(TOP HANGER)



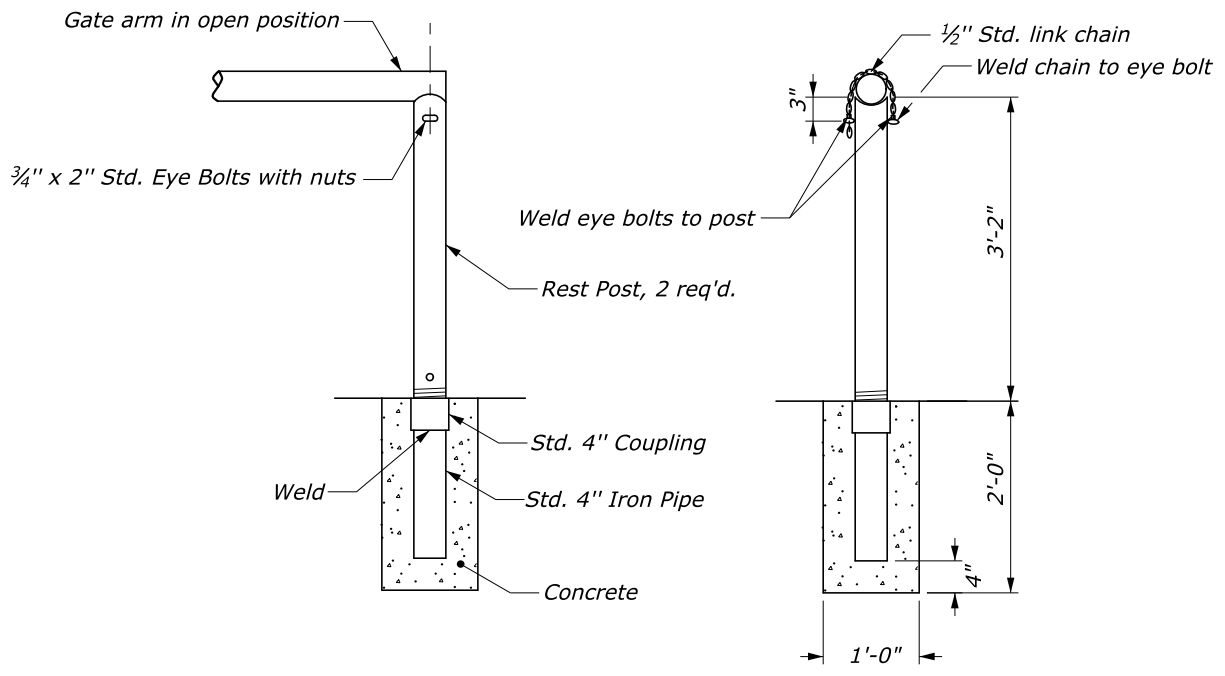
**VIEW B-B**



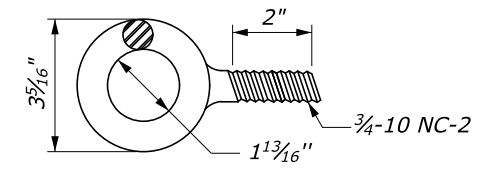
**SECTION C-C**



**ELEVATION**



**REST POST DETAIL**



**STD. EYE BOLT DETAIL**

- NOTES:**
1. Close top end of Rest Posts with 4 1/2-inch dia. x 1/8-inch thick steel plate, form to fit and weld in place.
  2. Paint gates and posts either alternating black and reflectorized white 4-inch stripes at 45° or use galvanized metal parts, as directed by CO.
  3. Mount one "Road closed" sign on gates as shown. Center the sign over the lane carrying the incoming traffic.

U.S. DEPARTMENT OF TRANSPORTATION FEDERAL HIGHWAY ADMINISTRATION EASTERN FEDERAL LANDS HIGHWAY DIVISION	
U.S. CUSTOMARY DETAIL	
<b>METAL GATE 30 FT</b>	
DETAIL APPROVED FOR USE	DETAIL
APPROVED : MAY 2011 REVISED : MARCH 2015	E619-06

23-Mar-2015 0159 PM TIME\$ M:\Standards\_and\_Details\EFLHD\_Details\Drawings\FP-A\std61906\_detail.dgn