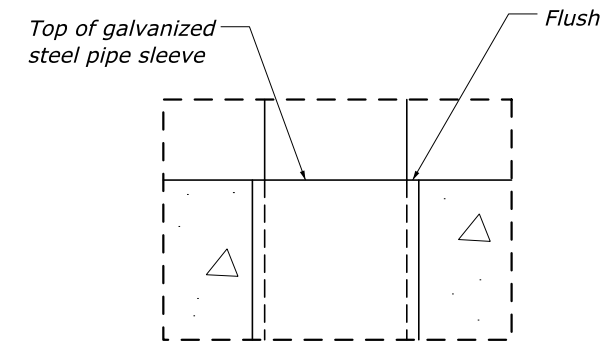
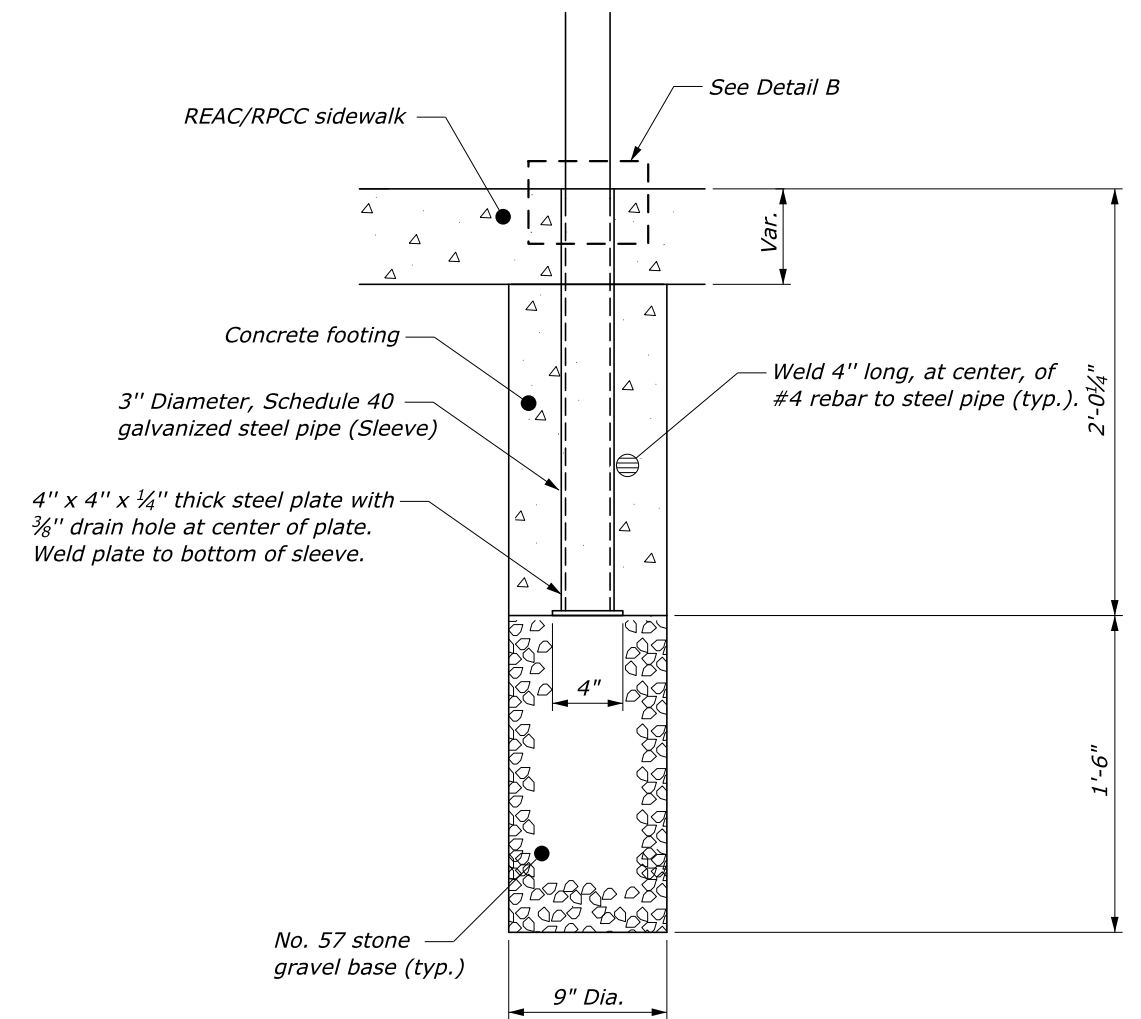


DETAIL A



DETAIL B



REMOVABLE POST

NON REMOVABLE POST

NOTES:

1. Furnish paint according to Section 563.
2. Furnish galvanized cast iron acorn caps according to Subsections 717.04 and 717.07.
3. Furnish steel pipe according to Subsection 717.06.

NO SCALE

U.S. DEPARTMENT OF TRANSPORTATION FEDERAL HIGHWAY ADMINISTRATION EASTERN FEDERAL LANDS HIGHWAY DIVISION	
U.S. CUSTOMARY DETAIL	
POST AND CHAIN	
DETAIL APPROVED FOR USE	DETAIL
APPROVED: MAY 2011 REVISED: FEBRUARY 2015	E619-11