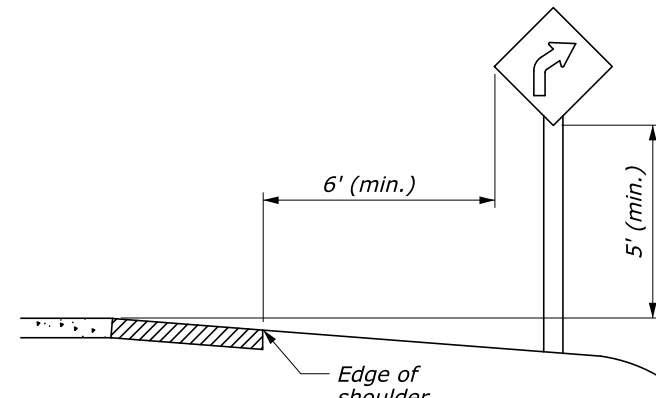
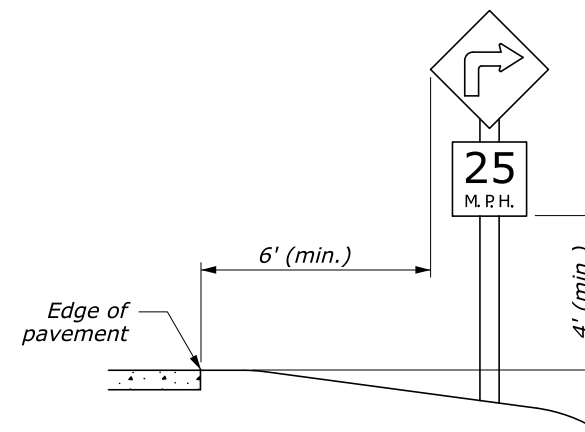


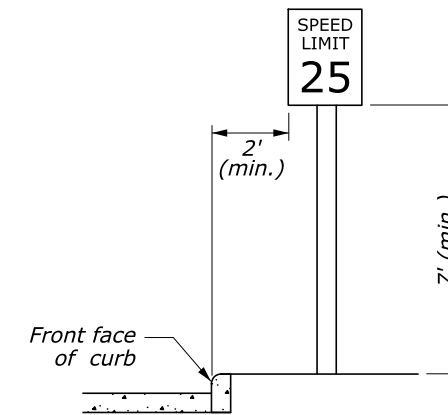
WITHOUT SHOULDER



WITH SHOULDER

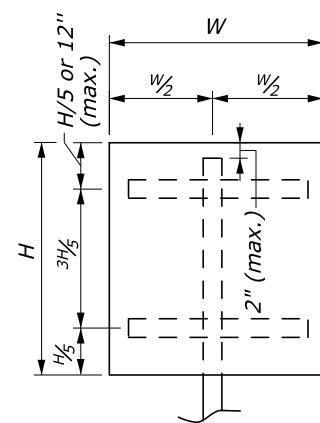


WITH ADVISORY SPEED PLAQUE

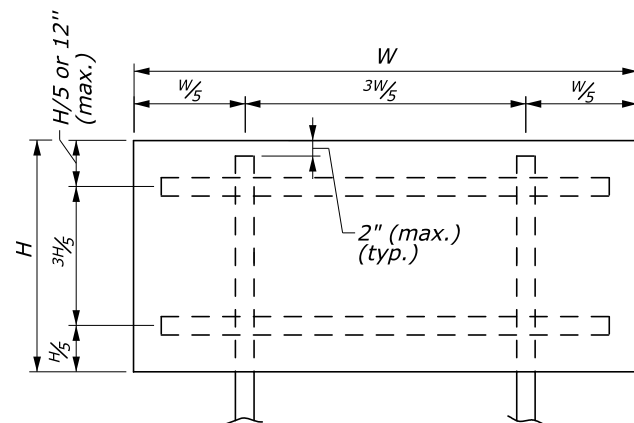


ROADSIDE SIGN IN BUSINESS OR RESIDENTIAL DISTRICT

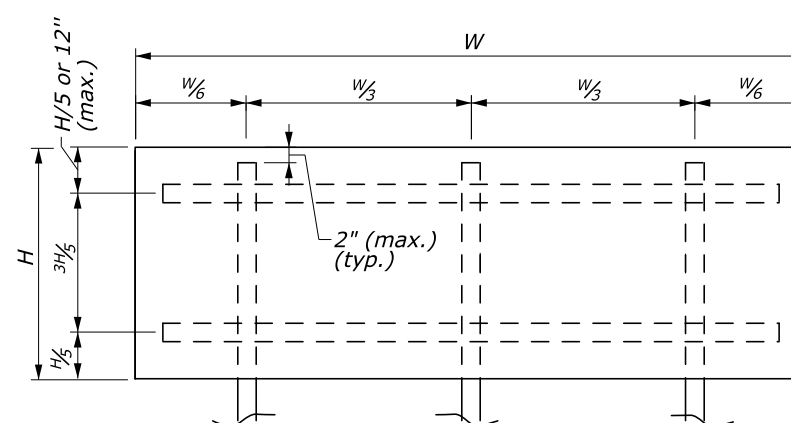
ROADSIDE SIGN IN RURAL DISTRICT



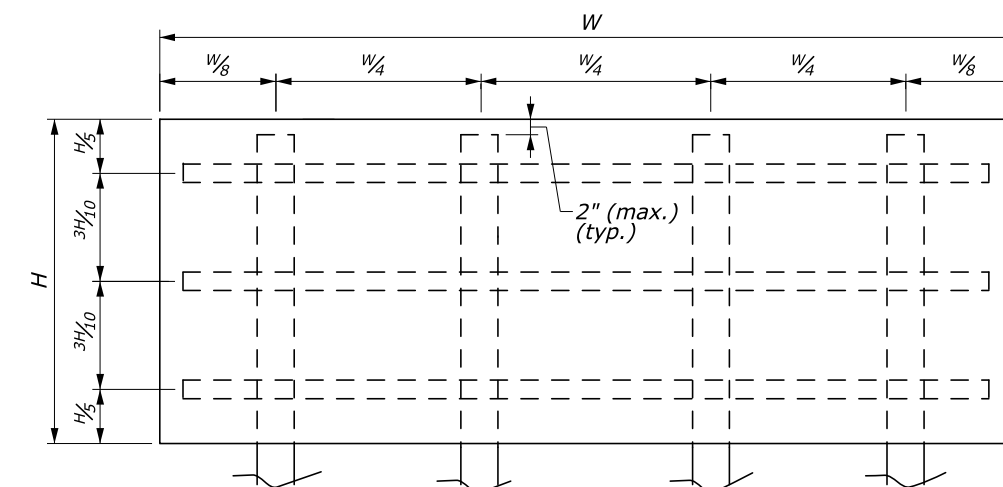
SINGLE POST



DOUBLE POST



TRIPLE POST



QUADRUPLE POST

POST SIZE TABLE

POST TYPE	POST SIZE	MAXIMUM SIGN AREA (SQFT)			
		SINGLE POST	DOUBLE POST	TRIPLE POST	QUADRUPLE POST
Wood	4" x 4"	10	20		
	4" x 6"	15	35	45	60
	6" x 6"	20	50	75	100
U-Channel Steel	3 lb/ft	10*	24	30	
Square Tubular Steel	2" 12 ga.	10*	16		
	2" 12 ga.	10*	24**		
Corrosion Resistant Steel	2" x 2" 10 ga. Class B	10*	24		

* See Note 2
** See Note 3

NOTES:

1. Locate and set sign height according to the "Manual on Uniform Traffic Control Devices for Streets and Highways" (MUTCD), latest edition.
2. For U-channel, square tubular, and corrosion resistant steel posts for which the sign panel area is 10 square feet or less but W is over 4 feet, use double posts.
3. For square tubular steel double posts for which the sign panel area is equal to 24 square feet, use slip base according to manufacturer's recommendations.
4. Refer to Detail E633-02 for breakaway support details for corrosion resistant steel posts.
5. Refer to Detail E633-03 for breakaway support details for wood, U-channel steel and square tubular steel posts.
6. Refer to Detail E633-04 for bracing details for wood, U-channel steel and square tubular steel posts.
7. Refer to Section 2A.21 of the MUTCD, latest edition, for additional information.

NO SCALE

U.S. DEPARTMENT OF TRANSPORTATION FEDERAL HIGHWAY ADMINISTRATION EASTERN FEDERAL LANDS HIGHWAY DIVISION	
U.S. CUSTOMARY DETAIL	
SIGN STRUCTURES	
DETAIL APPROVED FOR USE	DETAIL
APPROVED: MAY 2011 REVISED: SEPTEMBER 2020	E633-01