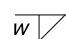


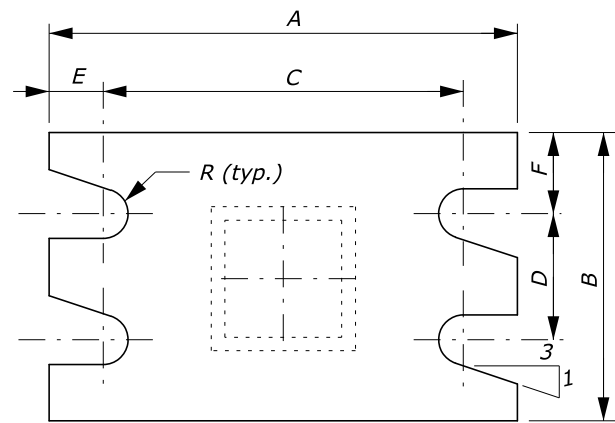
FOOTING DATA TABLE		
POST SIZE	CONCRETE FOOTING	
	DIA.	MINIMUM DEPTH
2" X 2"	12"	3'

BASE CONNECTION DATA TABLE													
POST SIZE	BOLT SPECIFICATIONS			BOND BREAKING PLATE DATA									
	Dia.	Length	Torque in-lbs	(A)	(B)	(C)	(D)	(E)	(F)	(R)	t ₁	t ₂	w
2" X 2"	5/8"	2 1/2"	450	6 1/2"	4"	5"	1 3/4"	3/4"	1 1/8"	1 1/16"	5/8"	3/16"	3/16"

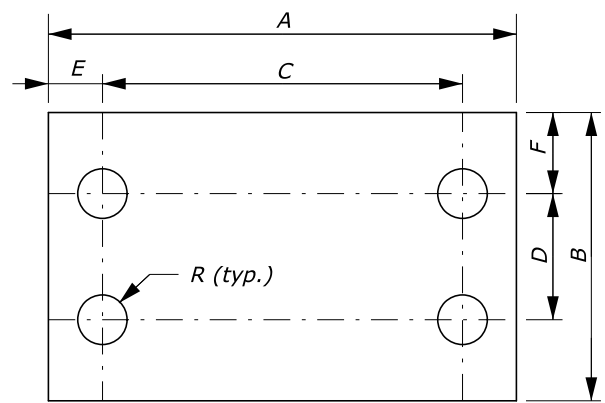
LEGEND:
 High Strength HS
 Weld triangle 

FUSE PLATE DATA TABLE												
POST SIZE	(G)	(H)	(J)	(K)	(L)	(M)	(N)	d ₁	t ₃	c ₁	Bolt dia.	Torque ft-lbs
2" X 2"	4"	2 1/4"	1 1/8"	2"	7/8"	9/16"	5/8"	7/16"	1/4"	1/4"	3/8"	200

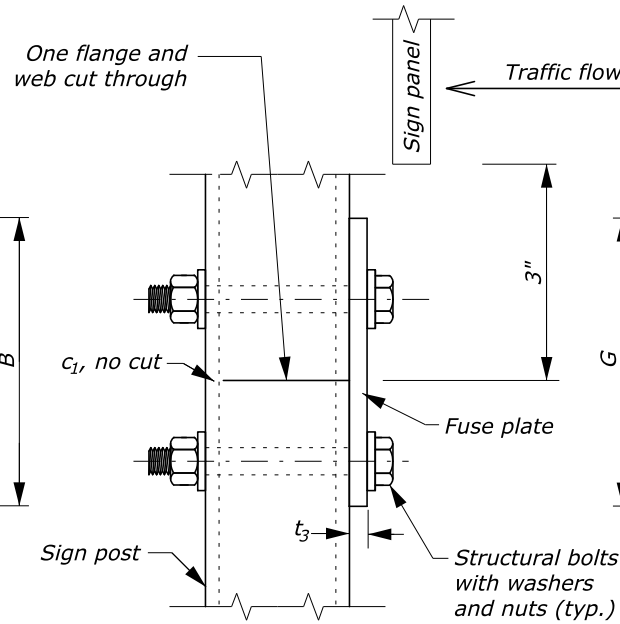
- NOTES:**
- Breakaway sign support is not required for signs placed behind protective barriers.
 - Install breakaway assembly in the direction of major traffic.
 - Use 10 gage Class B corrosion resistant square steel posts. Paint brown any corrosion resistant steel posts that do not naturally change color to brown.
 - Use galvanized steel in breakaway plates, bond breaking plates, and fastening structural bolts with nuts and washers. Paint brown to match the appearance of the corrosion resistant steel posts.
 - Use the Multiple Post Breakaway detail on single posts where exposed to opposing lanes of traffic.
 - Use fuse plates on multiple post installations only.
 - Refer to Detail E633-01 for sign mounting details.



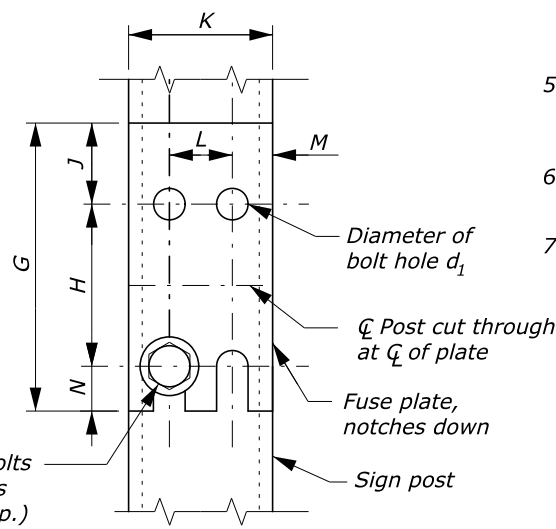
SECTION A-A
BREAKAWAY PLATE



BOND BREAKING PLATE

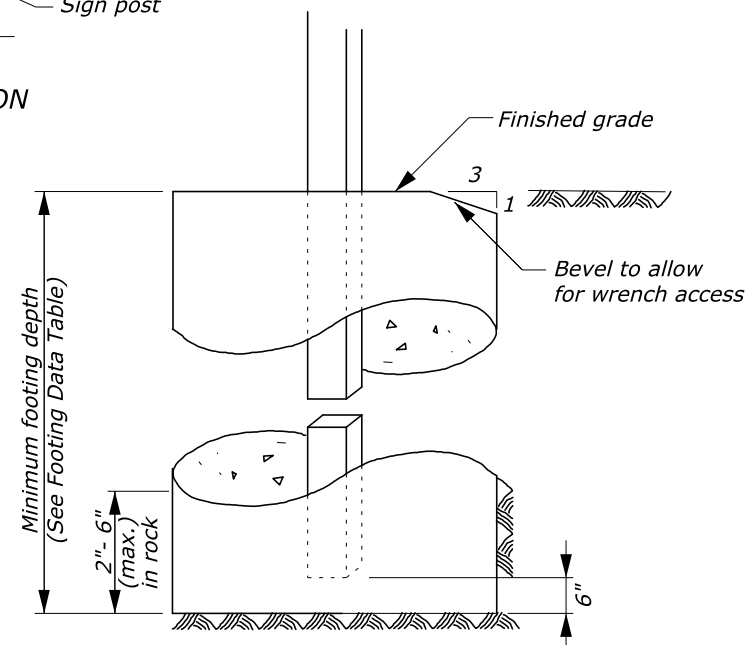


SIDE ELEVATION

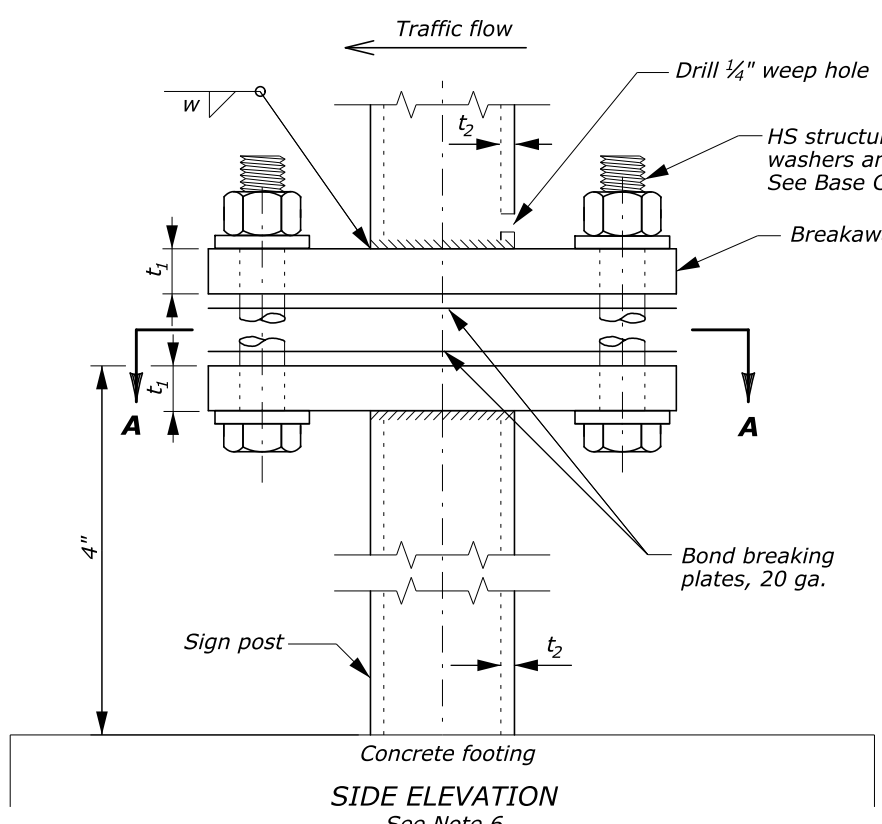


FRONT ELEVATION

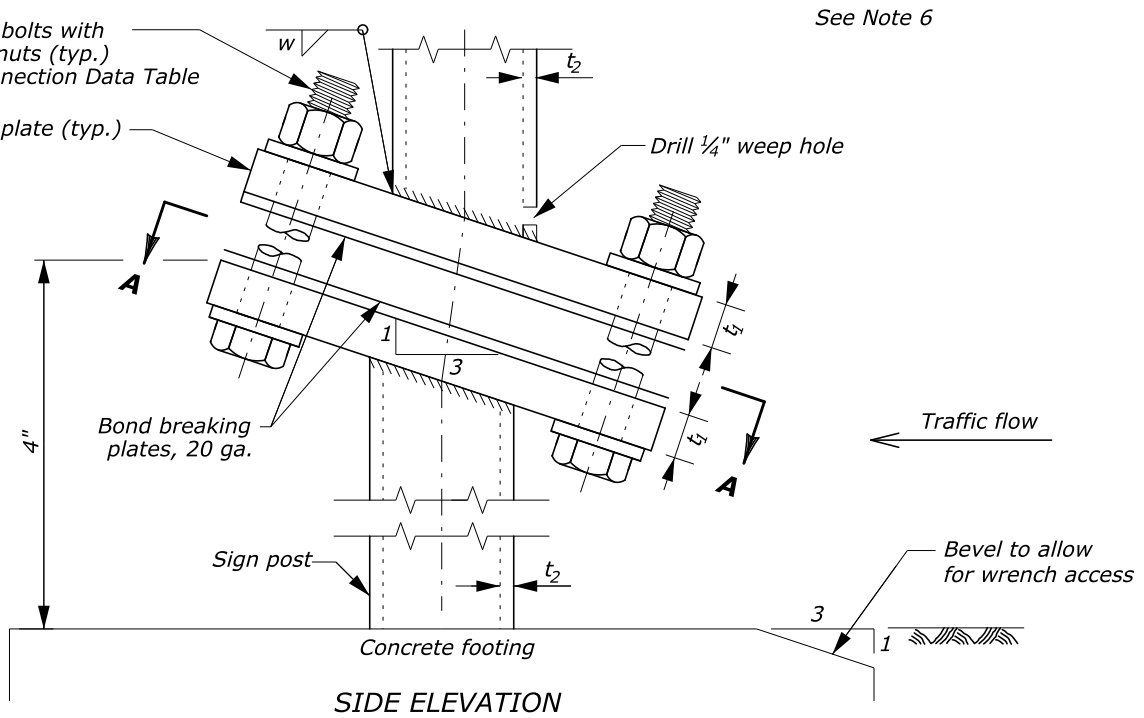
FUSE PLATE
See Note 6



CONCRETE FOOTING



MULTIPLE POST BREAKAWAY
See Notes 4 and 5



SINGLE POST BREAKAWAY
See Notes 4 and 5

NO SCALE

U.S. DEPARTMENT OF TRANSPORTATION
 FEDERAL HIGHWAY ADMINISTRATION
 EASTERN FEDERAL LANDS HIGHWAY DIVISION

U.S. CUSTOMARY DETAIL

**BREAKAWAY SIGN SUPPORT
 CORROSION RESISTANT STEEL**

DETAIL APPROVED FOR USE

APPROVED: MAY 2011
 REVISED: JANUARY 2019

DETAIL
 E633-02

16-Jan-2019 03:52 PM M:\Standards_and_Details\EF\LD_Detail-Drawing\633_02\633_02.dwg