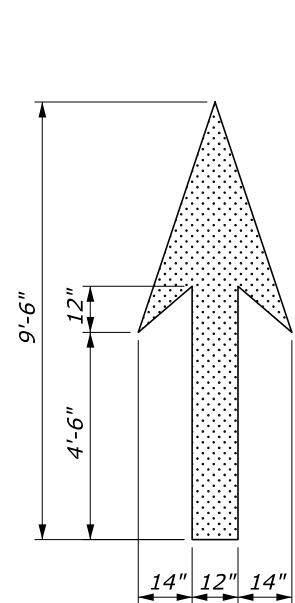


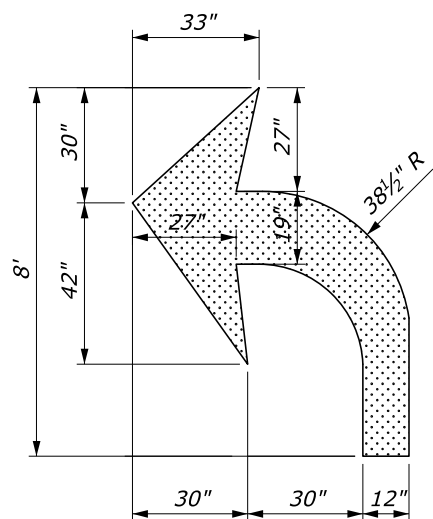
NOTES:

1. Place pavement word and symbol markings in accordance with the "Manual on Uniform Traffic Control Devices" (MUTCD), latest edition.
2. Place all letters, numerals, and symbols in accordance with the "Standard Highway Signs", latest edition.
3. Provide Accessibility Symbol marking as indicated in the plans or directed otherwise by the CO in one of the following configurations:
 - (a) w/ Symbol only;
 - (b) w/ Symbol and blue background; or
 - (c) w/ Symbol, blue background, and white border

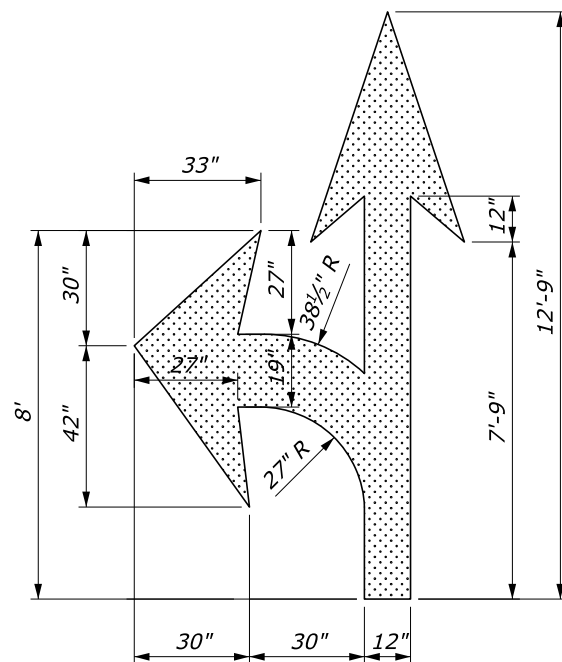
PAVEMENT MARKING AREAS	
TYPE	SQFT
Accessibility Symbol:	--
w/ Symbol only	2
w/ Symbol and blue background	13
w/ Symbol, blue background, and white border	16
Straight Arrow Symbol	12
Straight/Turn Arrow Combination Symbol	26
Turn Arrow Symbol	16
Yield Ahead Triangle Symbol (V<45 mph)	26
Yield Ahead Triangle Symbol (V≥45 mph)	37
"AHEAD" Word Message Marking	30
"ONLY" Word Message Marking	21
"SCHOOL" Word Message Marking	33
"STOP" Word Message Marking	22
"YIELD" Word Message Marking	24



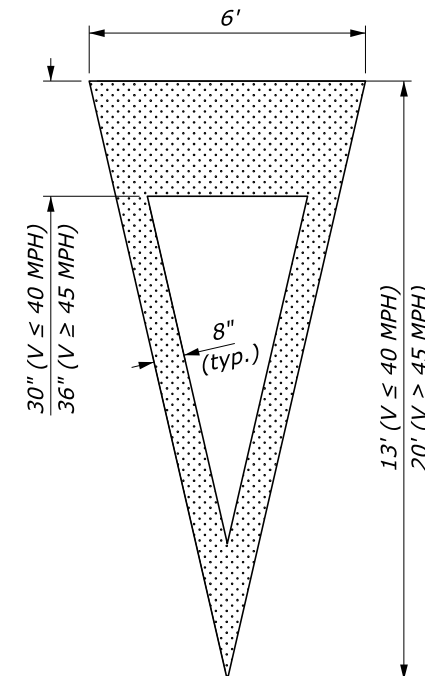
STRAIGHT ARROW SYMBOL



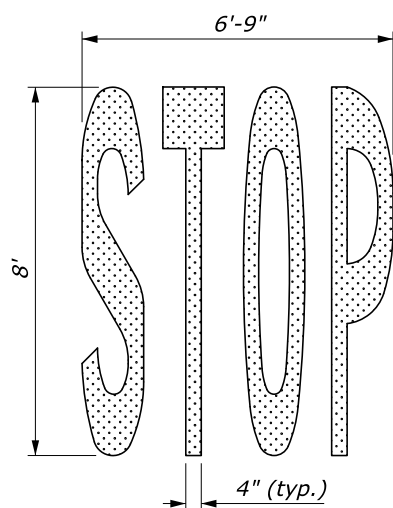
TURN ARROW SYMBOL



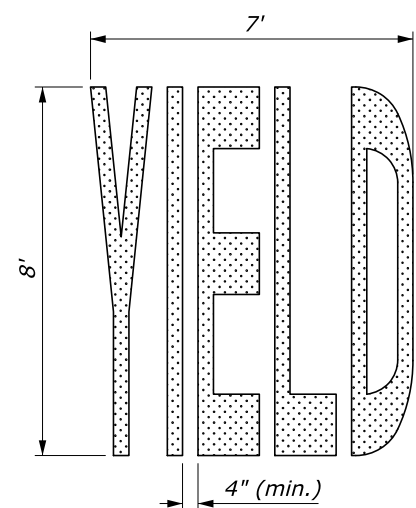
STRAIGHT/TURN ARROW COMBINATION SYMBOL



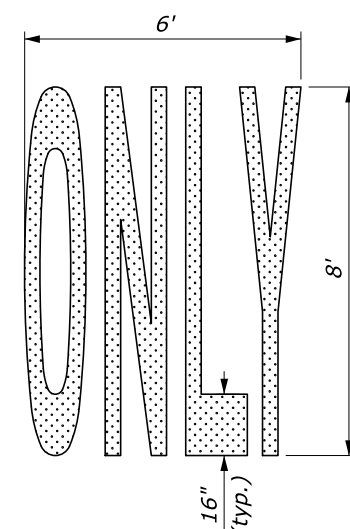
YIELD AHEAD TRIANGLE SYMBOL



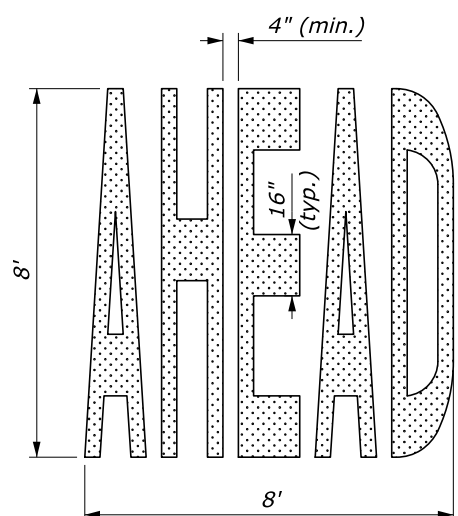
"STOP" WORD MESSAGE



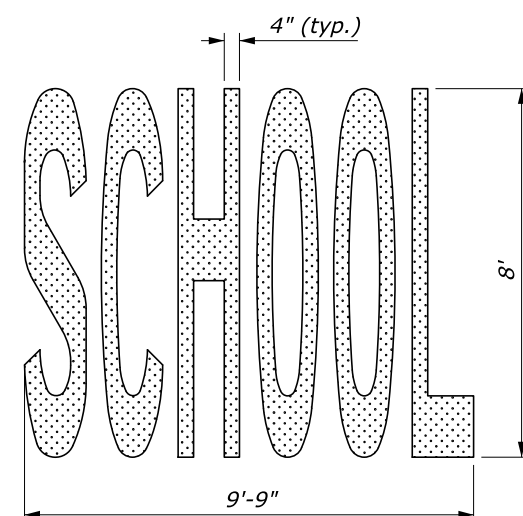
"YIELD" WORD MESSAGE



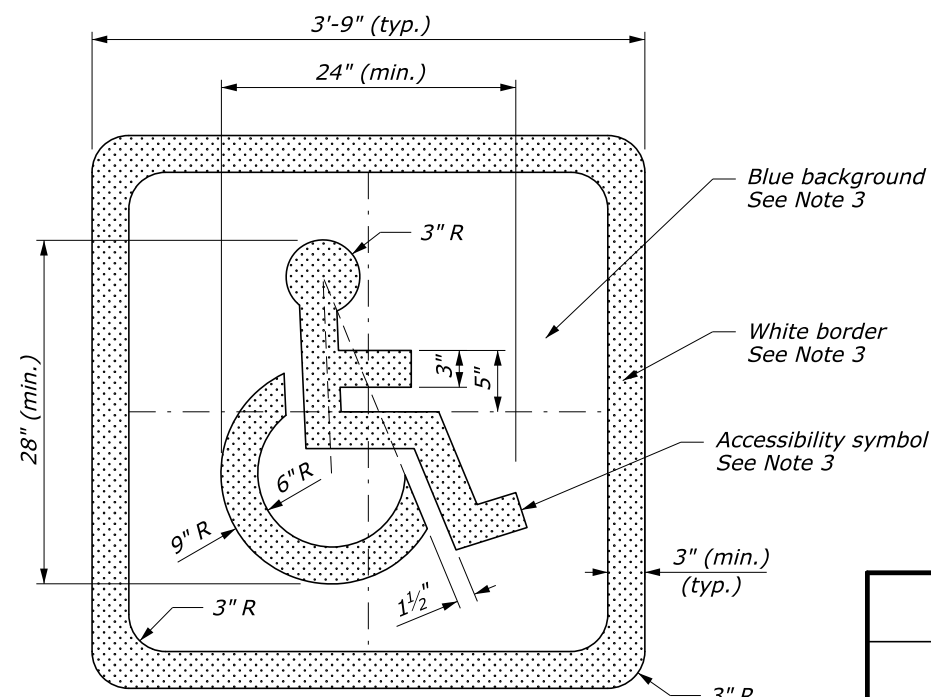
"ONLY" WORD MESSAGE



"AHEAD" WORD MESSAGE



"SCHOOL" WORD MESSAGE



ACCESSIBILITY SYMBOL

Blue background
See Note 3

White border
See Note 3

Accessibility symbol
See Note 3

NO SCALE

U.S. DEPARTMENT OF TRANSPORTATION
FEDERAL HIGHWAY ADMINISTRATION
EASTERN FEDERAL LANDS HIGHWAY DIVISION

U.S. CUSTOMARY DETAIL

PAVEMENT MARKINGS SYMBOLS AND WORDS

DETAIL APPROVED FOR USE

APPROVED: MAY 2011
REVISED: FEBRUARY 2020

DETAIL
E634-01

21-Feb-2020 09:25 AM M:\Standards_and_Details\EFLHD_Detail\Drawings\EFLHD_Detail\Drawings\E634-01\63401.dgn