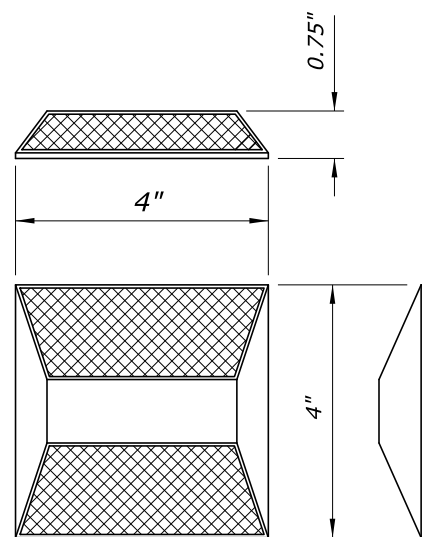
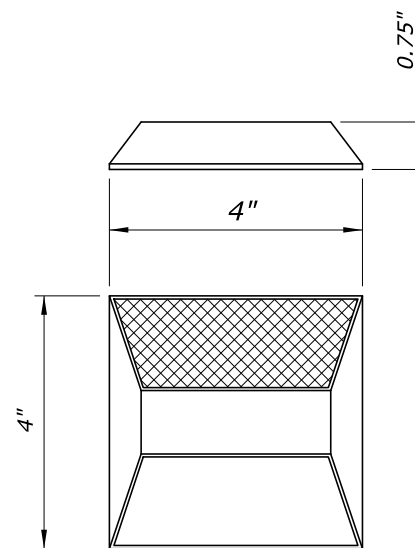


NON-REFLECTIVE



BI-DIRECTIONAL

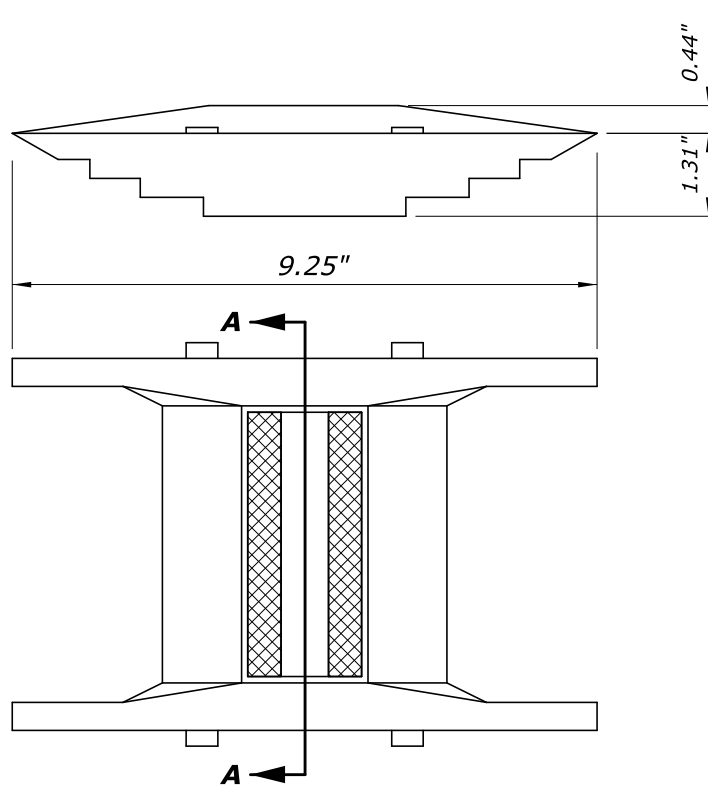


MONO-DIRECTIONAL

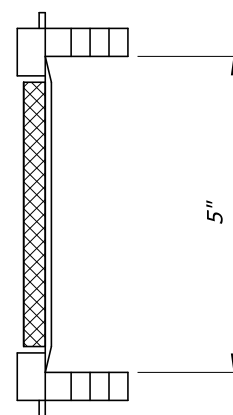
NOTES:

1. Colors of the reflective markers to be either clear (white), yellow or red as specified.
2. The shell of the marker to be of one color or a combination of colors the same as the reflector.

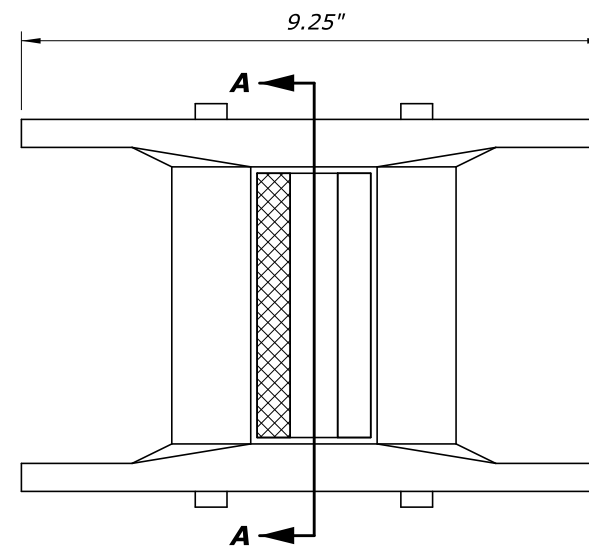
NON-PLOWABLE PAVEMENT MARKERS



BI-DIRECTIONAL



SECTION A-A



MONO-DIRECTIONAL

Reflective material



PLOWABLE PAVEMENT MARKERS

NO SCALE

U.S. DEPARTMENT OF TRANSPORTATION FEDERAL HIGHWAY ADMINISTRATION EASTERN FEDERAL LANDS HIGHWAY DIVISION	
U.S. CUSTOMARY DETAIL	
RAISED PAVEMENT MARKERS	
DETAIL APPROVED FOR USE	DETAIL
APPROVED: MAY 2011 REVISED: NOVEMBER 2015	E634-02